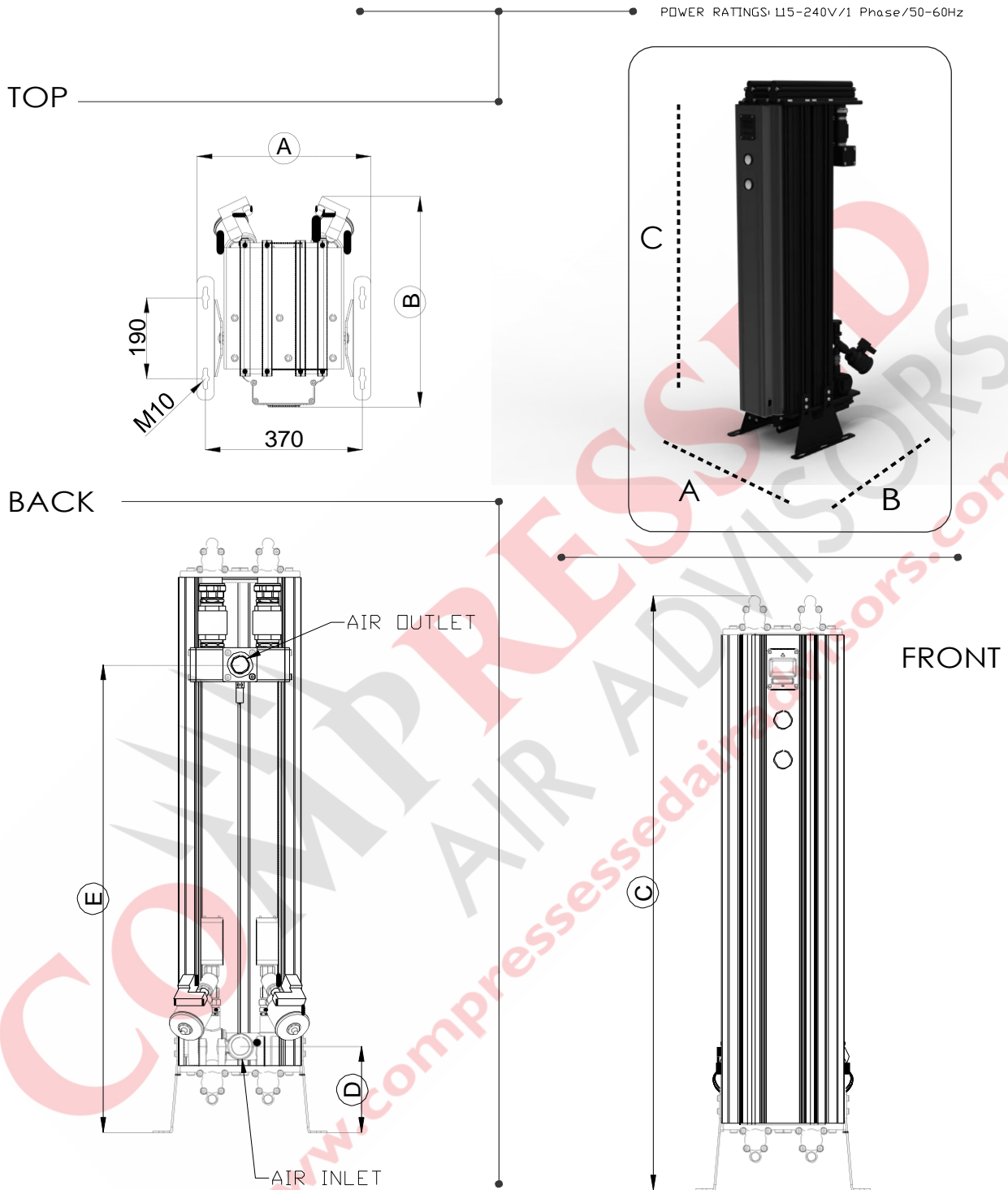




4.6 MMD-40-50-60-ID

○ - DIMENSION ARE FOR REFERENCE ONLY
 POWER RATINGS: 115-240V/1 Phase/50-60Hz



Model Type	Inlet Flow Rate		Inlet-Outlet Connection	B Length		A Width		C Height		Weight		Voltage
	CFM	(m ³ /h)		mm	Inc	mm	Inc	mm	Inc	kg	lbs	
MMD-40	40	70	1 1/2"	495	19.5	410	16.1	1250	49.2	71	156	115-240V/50-60Hz
MMD-50	50	85	1 1/2"	495	19.5	410	16.1	1400	55.1	78	171	115-240V/50-60Hz
MMD-60	60	100	1 1/2"	495	19.5	410	16.1	1750	68.8	92	202	115-240V/50-60Hz