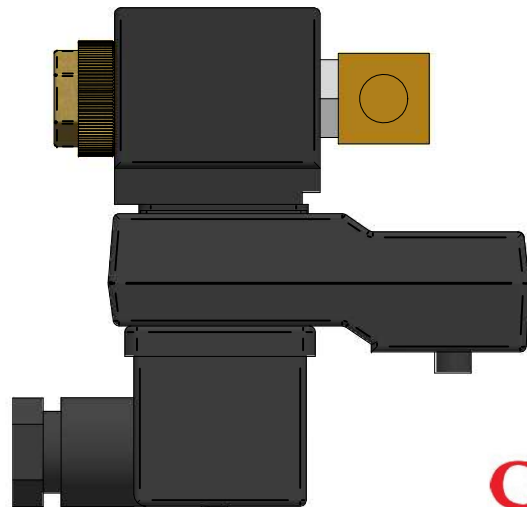
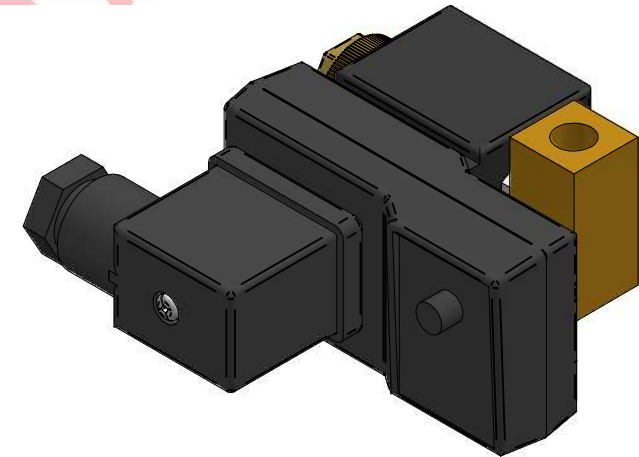
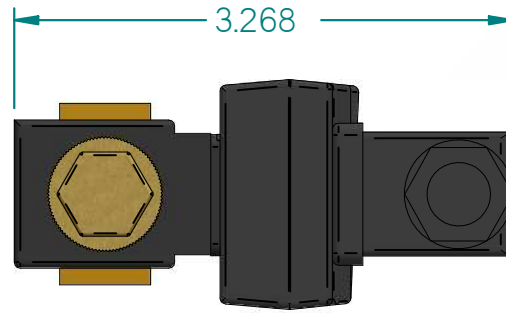
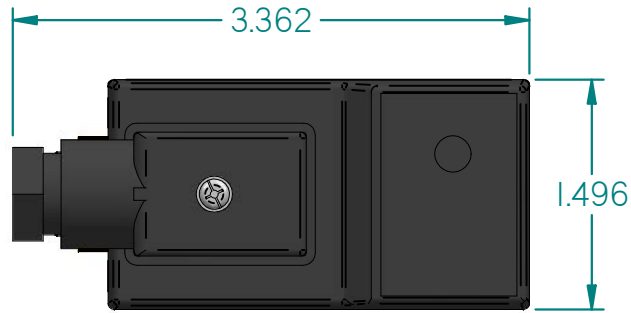


The original of this drawing is copyright and contains confidential information. It is property of JORC Industrial without whose permission it may NOT be copied, shown or handed to a third party or otherwise used and it is to be returned promptly upon request to JORC Industrial.




**COMPRESSED**  
AIR ADVISORS  
Inc.

**Compressed Air Advisors, Inc.**

Phone: 877.247.2381

[info@compressedairadvisors.com](mailto:info@compressedairadvisors.com)

[www.compressedairadvisors.com](http://www.compressedairadvisors.com)

					
		NAME	DATE		
DRAWN	FK		16-09-2016	TEC-11	
CHECKED				ARTIKEL NUMBER:	
JORC Industrial LLC 1146 River Road New Castle, DE 19720 USA National Tel: 302 395 0310 Fax: 302 395 0312 International Tel: +1 302 395 0310 Fax: +1 302 395 0312				SIZE A4	REV A
All dimensions are in inches unless otherwise stated					
					SHEET: 1/2