

SEPREMIUM 70

Compressed air condensate separation

The SEPREMIUM range of oil/water separators separates oil from condensate, generated by compressed air systems. The SEPREMIUM achieves efficient separation of oil from condensate by means of directing the condensate through various separation stages.

PRODUCT FEATURES

Specifically designed for smaller compressed air applications (up to 70 CFM) with a low condensate flow, the SEPREMIUM 70 oil/water separator is a simple and cost effective way to meet environmental regulations for condensate disposal.

With an advanced polypropylene adsorbent media, the SEPREMIUM 70 can separate virtually any condensate containing any compressor lubricant discharged from any type of condensate drain, and it does so without the need for a condensate settling tank or storage chamber.

Simply mount it to the wall, connect the inlet and outlet and enjoy the benefits of clean condensate. When it's full of oil - just replace it.



TECHNICAL ADVANTAGES

- High performance filtration materials applied.
- Simple, fast and clean installation and maintenance procedure.
- Successful separation of mineral oil, synthetic lubricants and stable emulsions.
- Holding bracket included for wall mounting.
- Brass hose connections for quick and easy installation/servicing.

COMMERCIAL BENEFITS

- Operates with all JORC type drains (both timer controlled and level sensed).
- Special versions available for Ultra-Coolant*, Sigma Mol* and Roto-Inject* applications.
- Competitive pricing levels.
- Small footprint for easy handling and installation.
- Private labelling and colour options available, consult factory.

* Roto-inject, Ultra-Coolant and Sigma Mol are oil brands available in the market for compressor lubrication.

PREMIUM SEPARATION TECHNOLOGY

SEPREMIUM 70

Compressed air condensate separation

SPECIFICATIONS

| | |
|----------------------------|-------------------|
| Target output value | <10 ppm |
| Maximum Oil adsorption | 0.5 gallon |
| Max. compressor capacity | 70 cfm |
| Inlet connection | 1/2" |
| Outlet connection | 1/2" |
| TEST kit | Available |
| Housing material | ABS |
| Housing colour | Black |
| Lid colour | Grey |

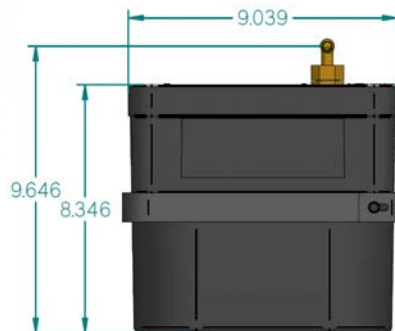
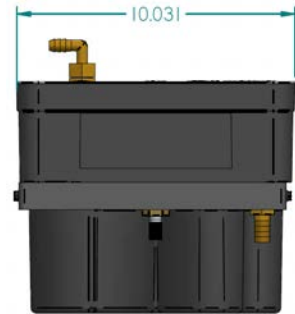
SEPARATION OF:

| | |
|-----------------------------|-----|
| Mineral lubricants | yes |
| Synthetic lubricants | yes |
| Stable condensate emulsions | yes |
| Ultra-Coolant*, Sigma Mol* | yes |
| Roto-Inject* | yes |

Consult factory for larger compressor capacities.

The SEPREMIUM 70 can be applied as a stand-alone item or as part of an integrated package of the compressor system. The compact size allows for easy installation inside compressor packages.

DIMENSIONS



Inlet connection



Outlet connection



Holding bracket

Information provided herewith is believed to be accurate and reliable. However, no responsibility is assumed for its use or for any infringement of patents or rights of others, which may result from its use. In addition, JORC reserves the right to revise information without notice and without incurring any obligation



Compressed Air Advisors, Inc.

Phone: 877.247.2381

info@compressedairadvisors.com

www.compressedairadvisors.com