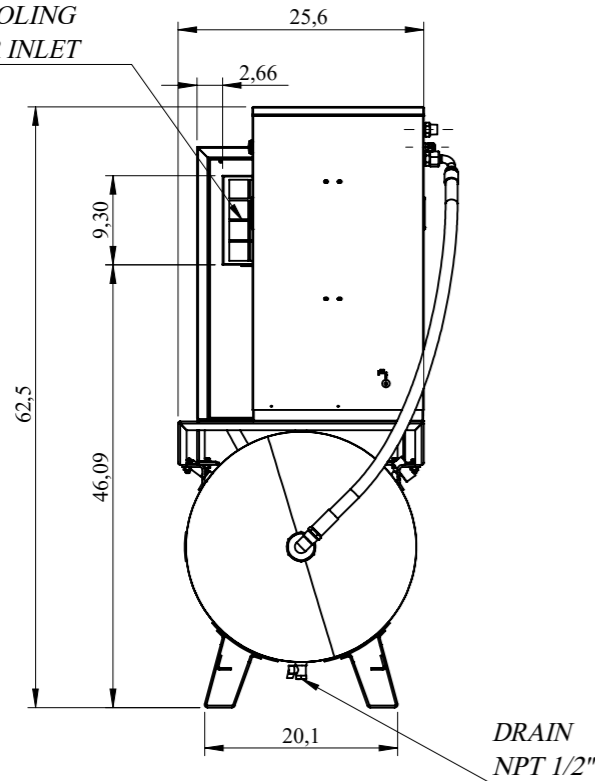
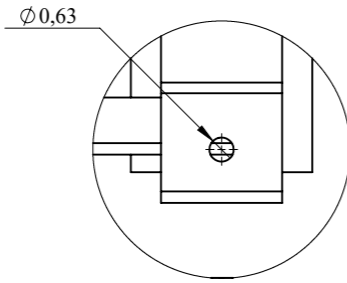


COMPRESSOR
COOLING
AIR INLET

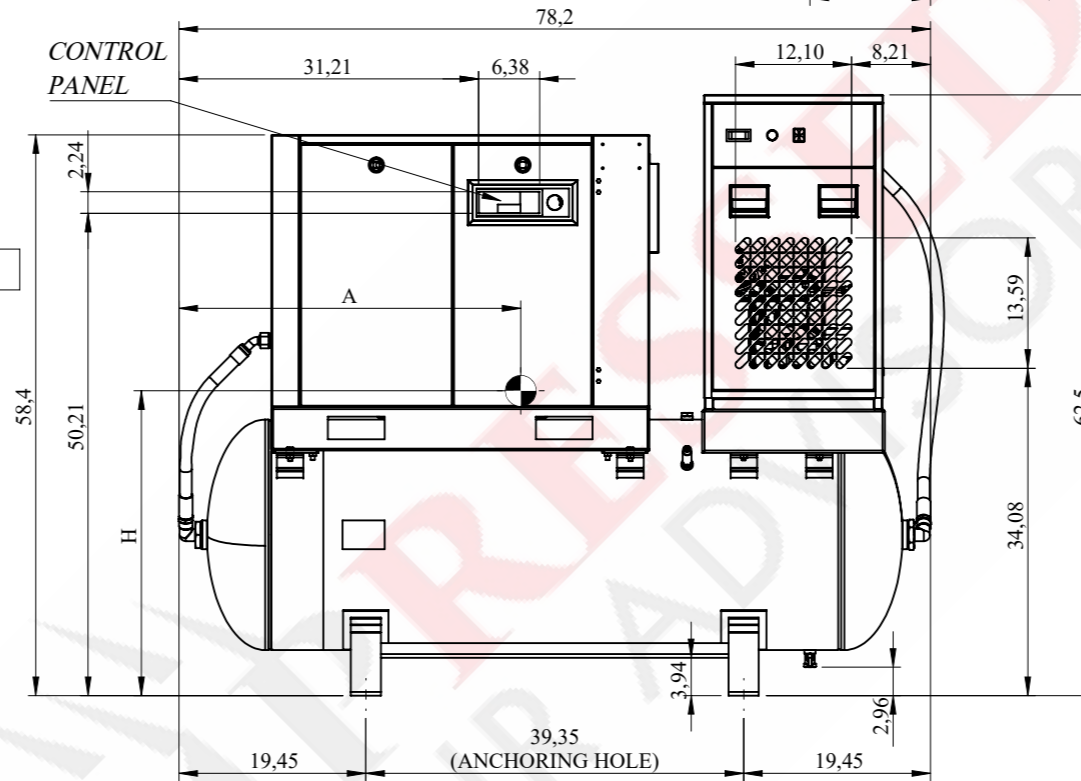


DRAIN
NPT 1/2"



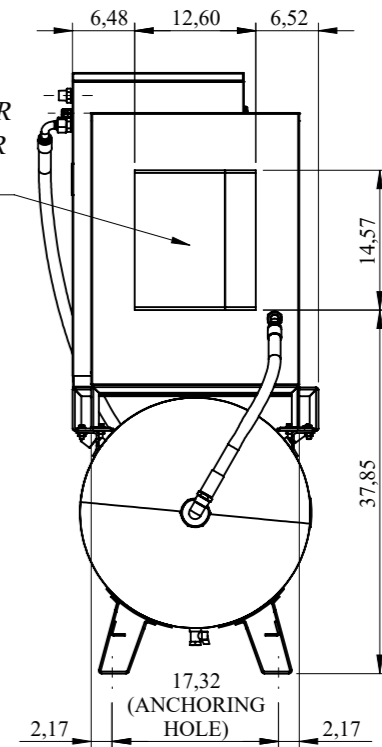
DETAIL A
SCALE 1 : 5

CONTROL
PANEL



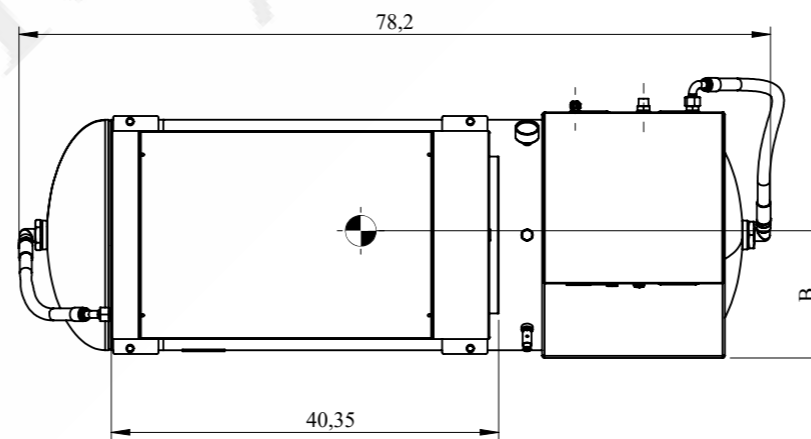
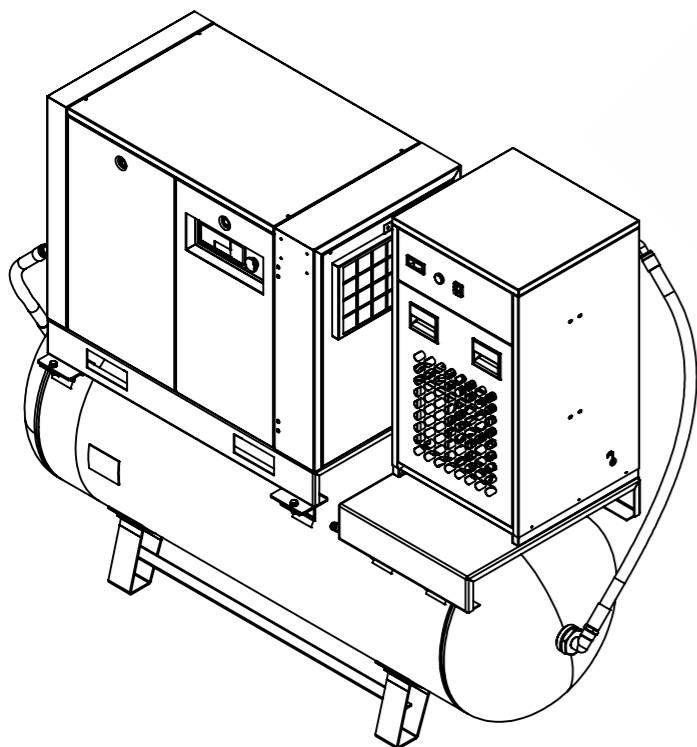
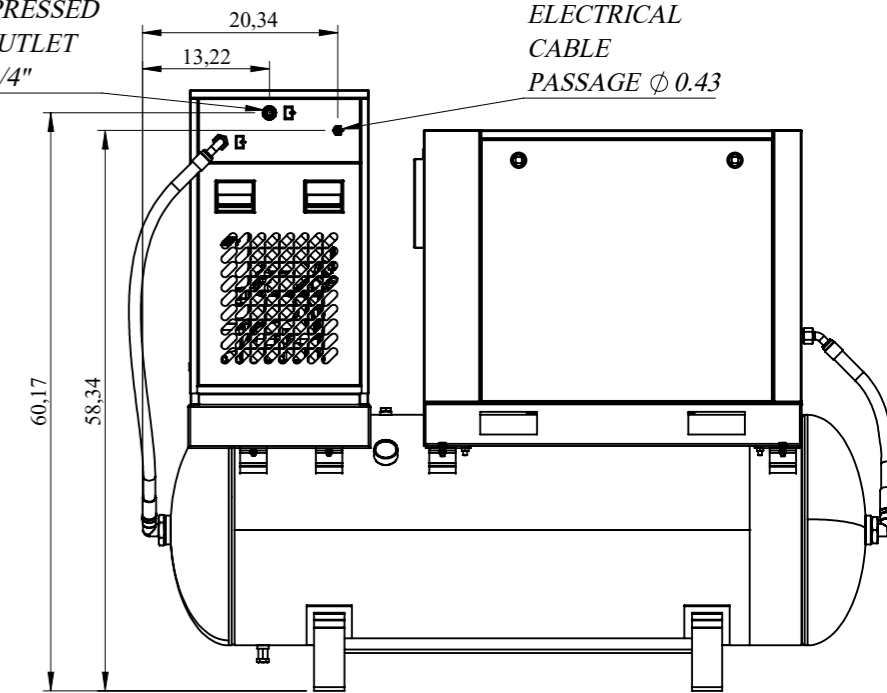
COMPRESSOR
COOLING AIR
OUTLET

COMPRESSOR
COOLING AIR
OUTLET



COMPRESSED
AIR OUTLET
NPT 3/4"

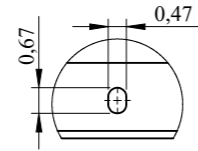
ELECTRICAL
CABLE
PASSAGE ϕ 0.43



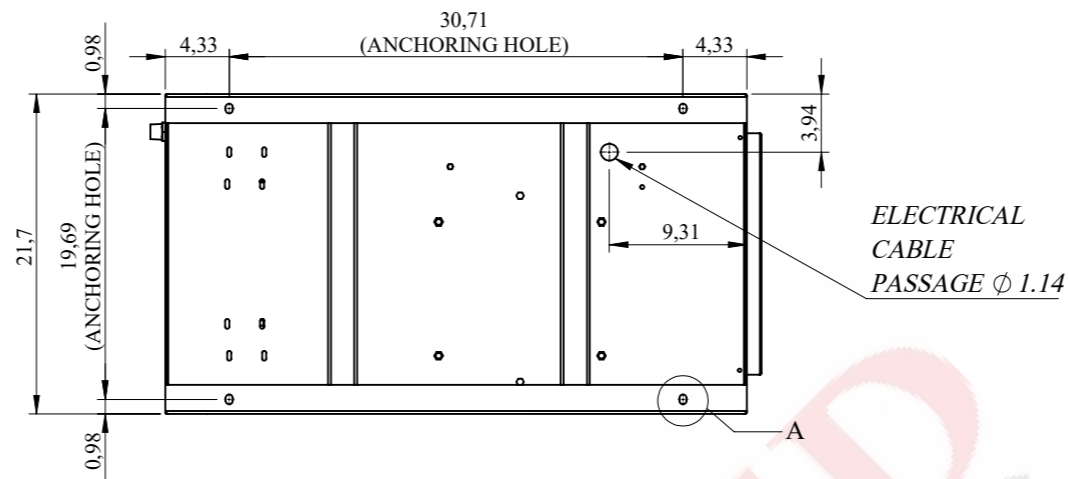
CENTER OF MASS		MODELS	TOTAL COOLING AIR FLOW RATE(cfm)
A	35.59	HBD 7 (TANK AND DRYER MOUNTED)	2330
B	13.25		
H	31.72		



- NOTES:
- 1- All dimension units are inches (mm)
 - 2- All dimension tolerances are $\pm 0.12"$ (± 3 mm)
 - 3- Leave minimum 40" (1016 mm) of space around the machine to provide free circulation and access of air.
 - 4- A foundation or frame which support the weight of the package is required to provide rigidity.
 - 5- Also the compressor frame should be flatted and the frame.
 - 6- Piping loads should not be on the external connections.

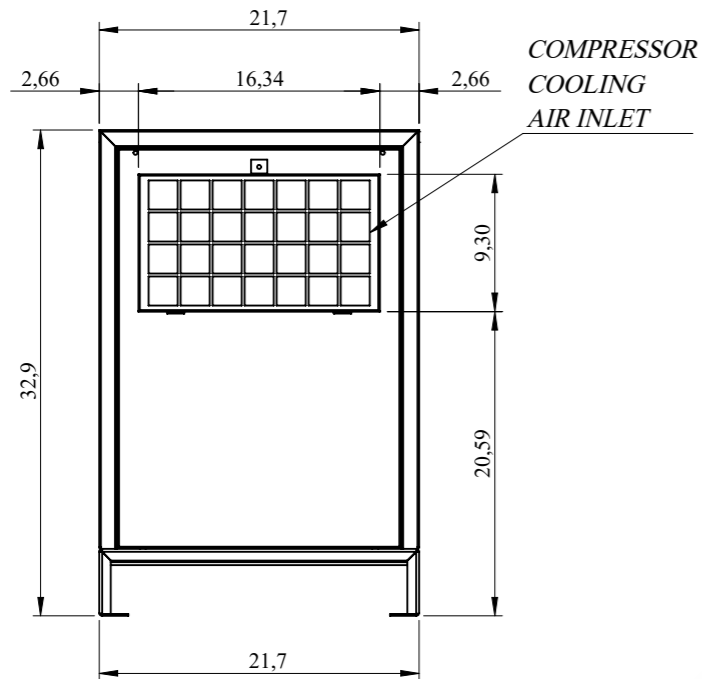


DETAIL A
SCALE 1 : 5

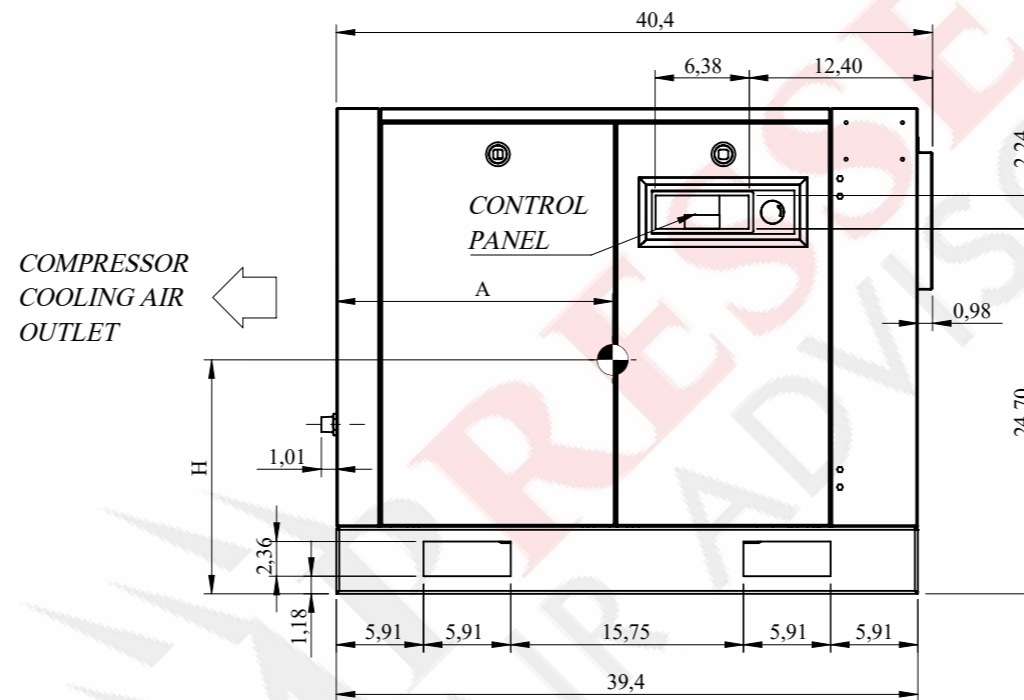


ELECTRICAL
CABLE
PASSAGE ϕ 1.14

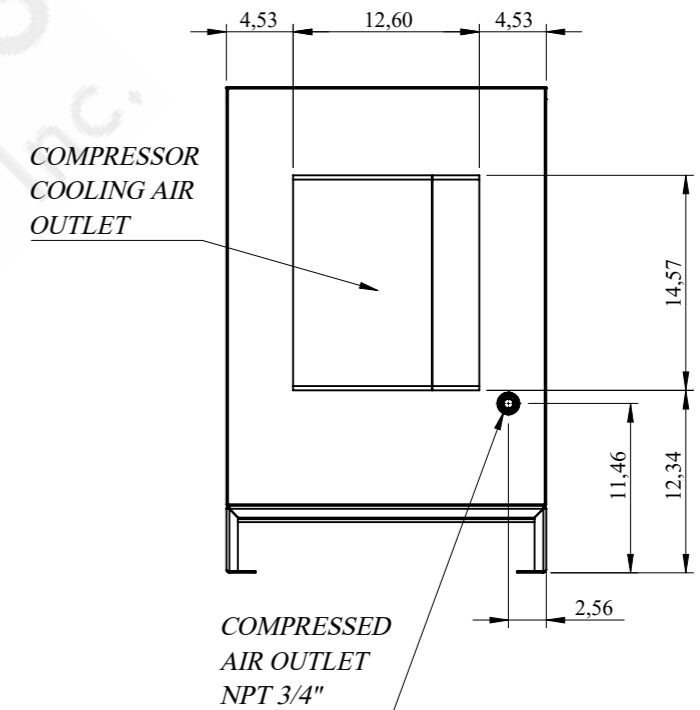
- NOTES:
- 1- All dimension units are inches (mm)
 - 2- All dimension tolerances are $\pm 0.12'' (\pm 3 \text{ mm})$
 - 3- Leave minimum 40'' (1016 mm) of space around the machine to provide free circulation and access of air.
 - 4- A foundation or frame which support the weight of the package is required to provide rigidity.
 - 5- Also the compressor frame should be flatted and the frame.
 - 6- Piping loads should not be on the external connections.



COMPRESSOR
COOLING
AIR INLET

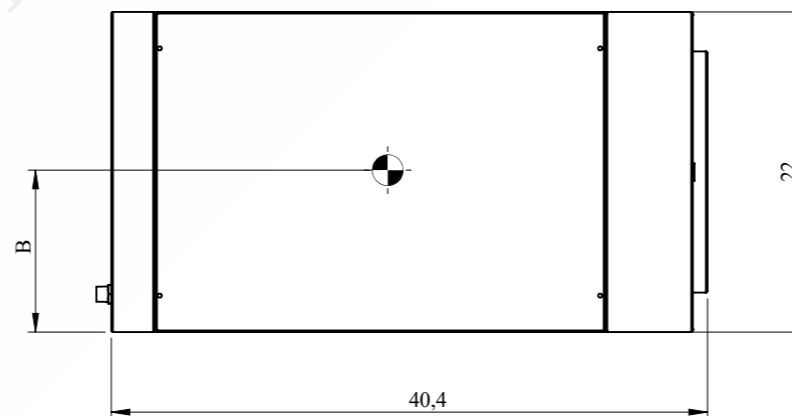
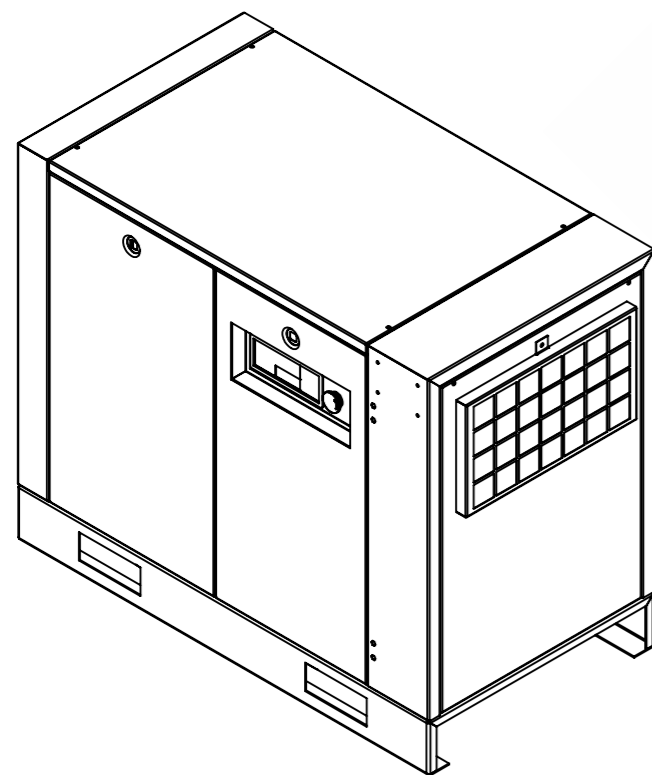


COMPRESSOR
COOLING AIR
OUTLET



COMPRESSOR
COOLING AIR
OUTLET

COMPRESSED
AIR OUTLET
NPT 3/4"



CENTER OF MASS		MODELS	TOTAL COOLING AIR FLOW RATE(cfm)
A	18.72	HBD 7	2330
B	10.97		
H	15.74		

Bu resim DALGAKIRAN MAK. SAN ve TIC. A.S. firmasına ait olup bütün hakları saklıdır. Firmamızın bilgisi dışında kopya edilemez ve 3. şahıslara verilemez. Resimde değişiklik yapma hakkı sadece DALGAKIRAN MAK. SAN ve TIC. A.S. firmasına aittir. The information contained in this drawing is the sole property of DALGAKIRAN MAK. SAN ve TIC. A.S. Any reproduction in part or as a whole without the written permission of DALGAKIRAN MAK. SAN ve TIC. A.S. is prohibited.

COMPRESSED
AIR ADVISORS

Inc.

Compressed Air Advisors, Inc.

Phone: 877.247.2381

info@compressedairadvisors.com

www.compressedairadvisors.com

