

NOTE : PRIMARY DIMENSIONS ARE INCHES AND DIMENSIONS IN BRACES ARE METRIC

MODEL	DIMENSION inch {mm}																INLET/OUTLET CONNECTION	INLET AIR FLOW <SCFM>	NET WEIGHT <LBS>	SHIPPING WEIGHT <LBS>
	A	B	C	D	E	F	G	H	I	J	K	L	M	N	O	W				
HPR5-10	10.3 {260}	2.0 {51}	2.1 {54}	10.9 {278}	2.5 {63}	1.7 {43}	2.1 {53}	15.0 {382}	1.54 {39}	2.5 {64}	5.7 {145}	12.6 {320}	2.0 {51}	.25 {6.4}	13.0 {330}	12.6 {320}	3/8" O.D. TUBE	10	42	47

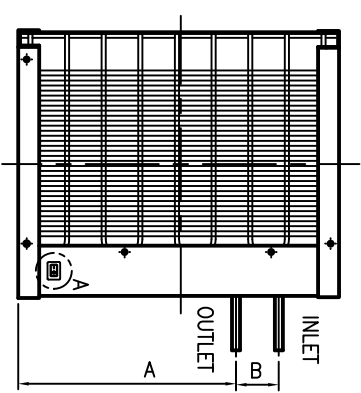
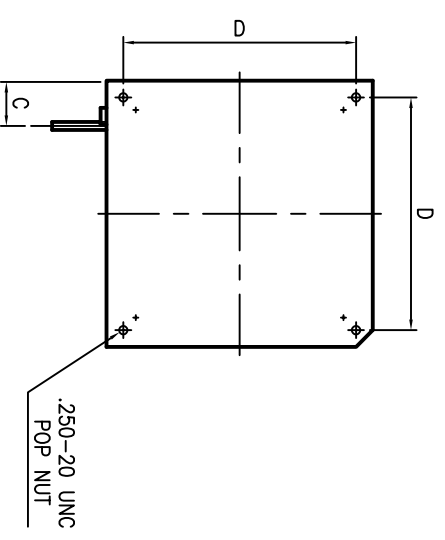
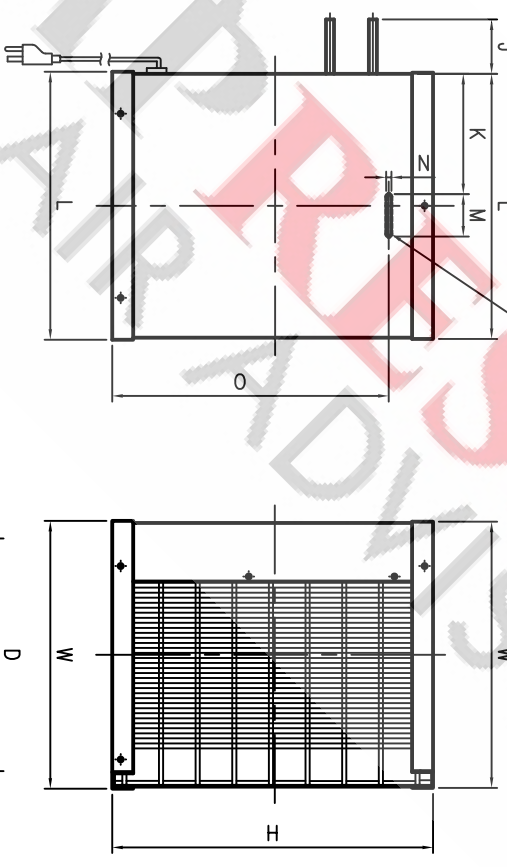
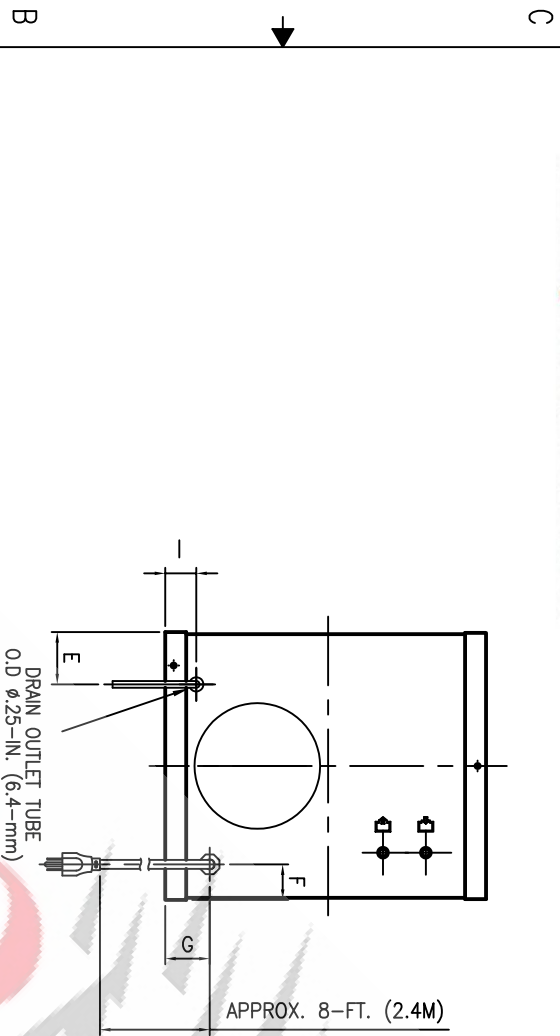


Compressed Air Advisors, Inc.

Phone: 877.247.2381

info@compressedairadvisors.com

www.compressedairadvisors.com



ON/OFF SWITCH W/RUNNING LAMP
SCALE 3:1

SERVICE :
COMPRESSED AIR

OPERATING CONDITIONS :
RATED INLET AIR PRESSURE - 100 PSIG
MAXIMUM INLET AIR PRESSURE - 250 PSIG
MINIMUM INLET AIR PRESSURE - 30 PSIG
RATED INLET AIR TEMPERATURE - 100 °F
MAXIMUM INLET AIR TEMPERATURE - 113 °F
MINIMUM INLET AIR TEMPERATURE - 40 °F
RATED AMBIENT AIR TEMPERATURE - 100 °F
MAXIMUM AMBIENT AIR TEMPERATURE - 113 °F
MINIMUM AMBIENT AIR TEMPERATURE - 40 °F

SPECIFICATIONS :
ELECTRICALS - 115-1PH-60Hz, 230-1PH-50Hz
CONDENSER TYPE - STATIC CONDENSER
REFRIGERANT - HFC-134a (R-134a)
EXPANSION DEVICE - CONSTANT EXPANSION VALVE
DRAIN TYPE - FLOAT DRAIN

REV.	DESCRIPTION	BY	DATE	APPROVED
A	EGF-030922-DDB-01	DDB	9/24/03	DDB

REVISION HISTORY (Δ INDICATES LATEST REVISION)

UNLESS OTHERWISE SPECIFIED
DIMENSIONS ARE IN INCHES
TOL. ON FRACTIONS: ± 1/16"
TOL. ON DECIMALS: ± .030" (2 PLACE)
TOL. ON DECIMALS: ± .015" (3 PLACE)
TOL. ON ANGLES: ± .5°

THIRD ANGLE PROJECTION

HANKISON DIVISION OF SPX AIR TREATMENT
INTERNATIONAL COMPANY, PA. 150 U.S.A.

REFRIGERATED AIR DRYER (STATIC COND)
GENERAL ARRANGEMENT
HPR5-10

FILER NO. DRAWN BY: DMC DATE: 8/6/03
CHECKED BY: KWA DATE: 8/8/03
APPROVED BY: JRL DATE: 8/8/03

SIZE: C SCALE: NONE EST. WT. SHEET 1 OF 1

DMC NO. GA03HAN-0102 REV. A