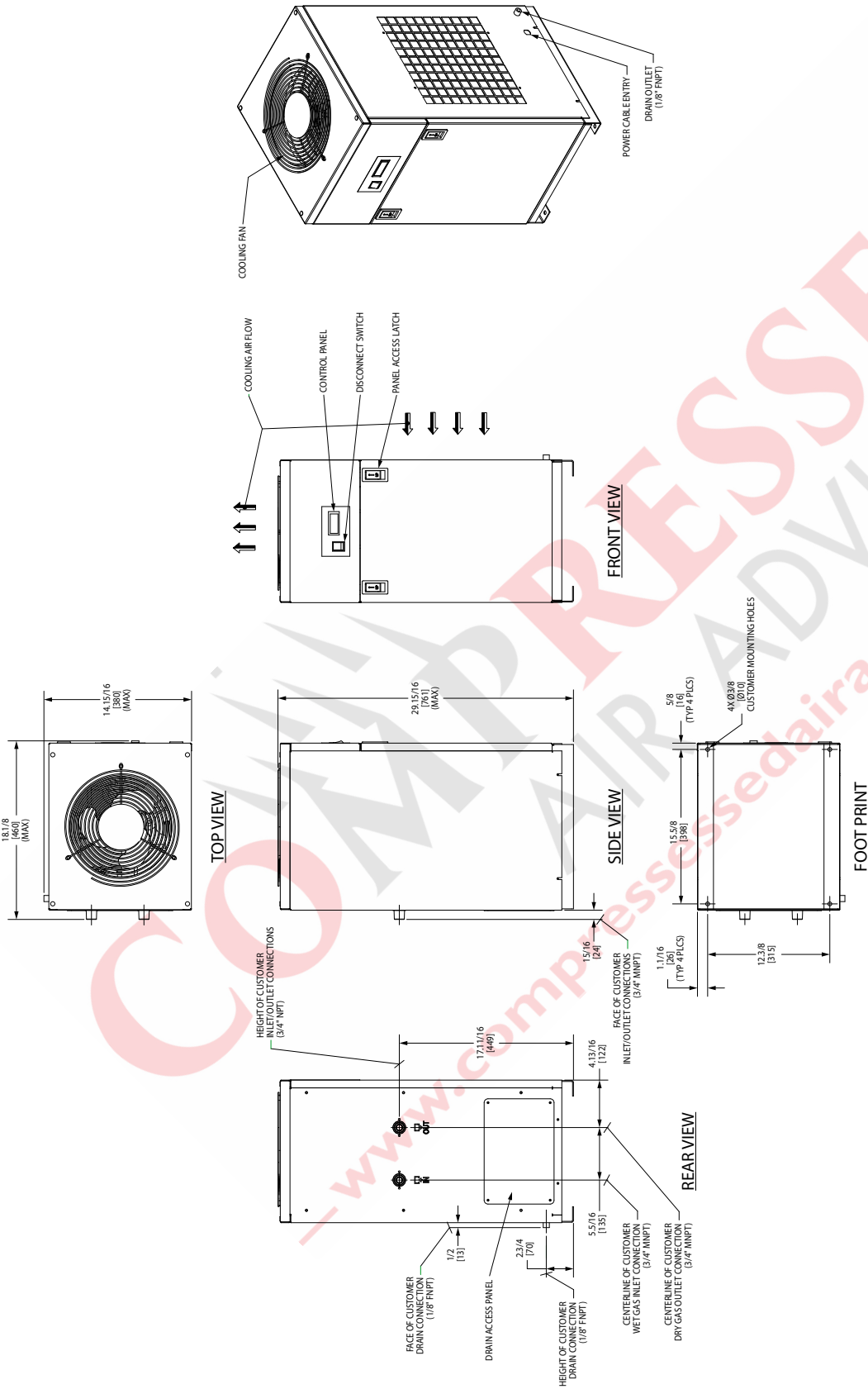


GENERAL ARRANGEMENT DRAWINGS

Model HITN 35



NOTES:

1. Install in a clean, well ventilated area to reduce dirt and dust on the condenser coils.
2. For cooling air flow and maintenance purposes, recommended clearance around unit is 2 feet (609.6 mm).
3. Installation constraints: On-site assembly of piping, tubing and/or electrical connections, are the responsibility of the customer/owner.

SERVICE:
Compressed Air

DRYER INFORMATION:

Inlet Air Flow: 35 SCFM | 0.9 Nm³/min
Connections: 3/4" MNPT
Drain Connection: 1/8" FNPT
Refrigerant: R407C
Electrical: 115V/1PH/60HZ
Weight: 99.2 LBS. / 45 KG