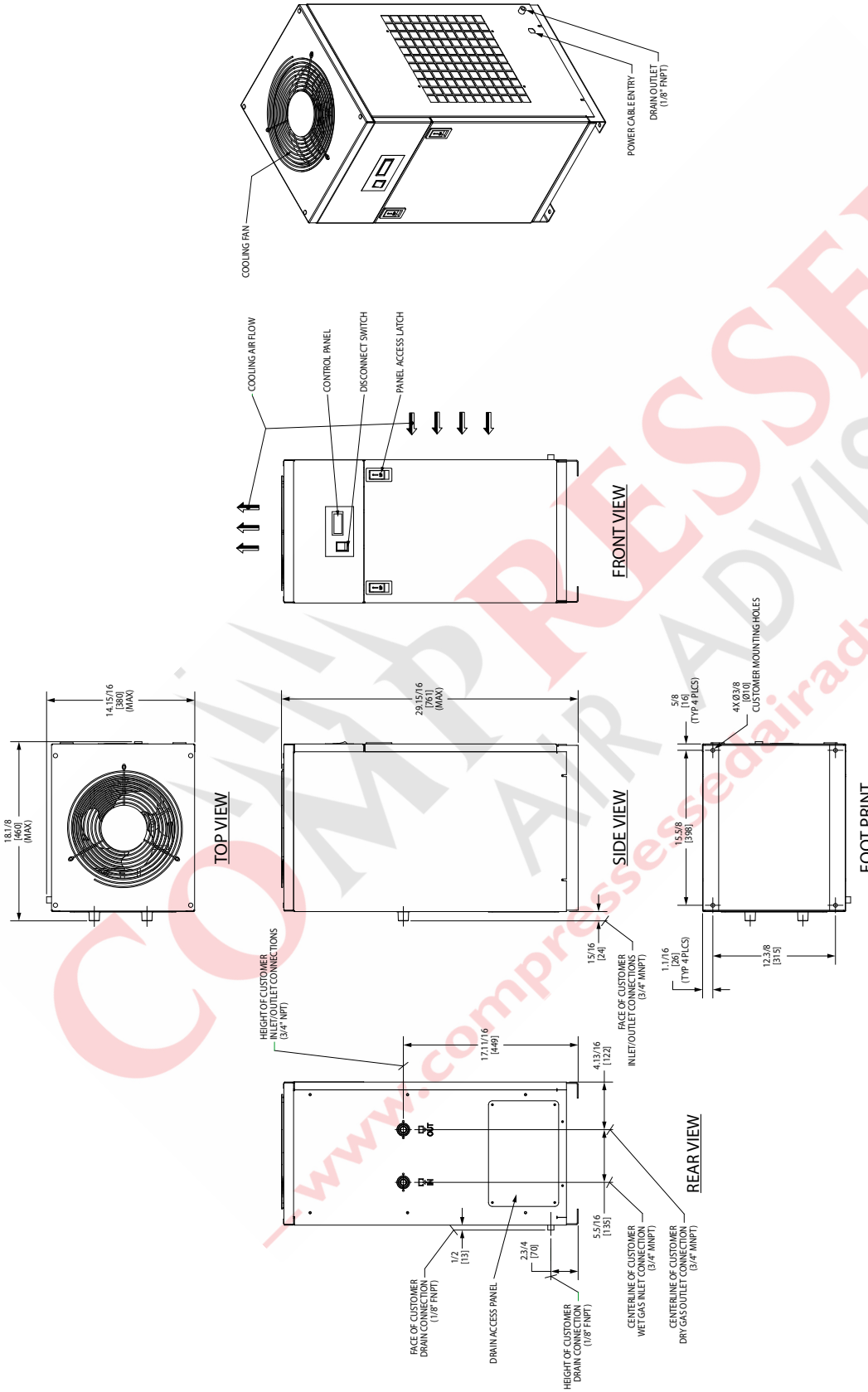


# GENERAL ARRANGEMENT DRAWINGS

Model HITN 25



**SERVICE:** Compressed Air

**DRYER INFORMATION:**  
Inlet Air Flow: 25 SCFM | 0.7 Nm<sup>3</sup>/min  
Connections: 3/4" MNPT  
Drain Connection: 1/8" FNPT  
Refrigerant: R134A  
Electrical: 115V/1PH/60HZ  
Weight: 95.71 LBS. / 42.5 KG

- NOTES:**
1. Install in a clean, well ventilated area to reduce dirt and dust on the condenser coils.
  2. For cooling air flow and maintenance purposes, recommended clearance around unit is 2 feet (609.6 mm).
  3. Installation constraints: On-site assembly of piping, tubing and/or electrical connections, are the responsibility of the customer/owner.