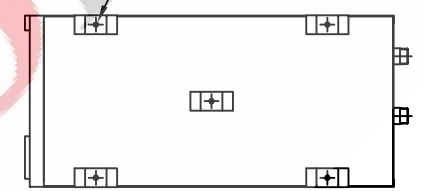
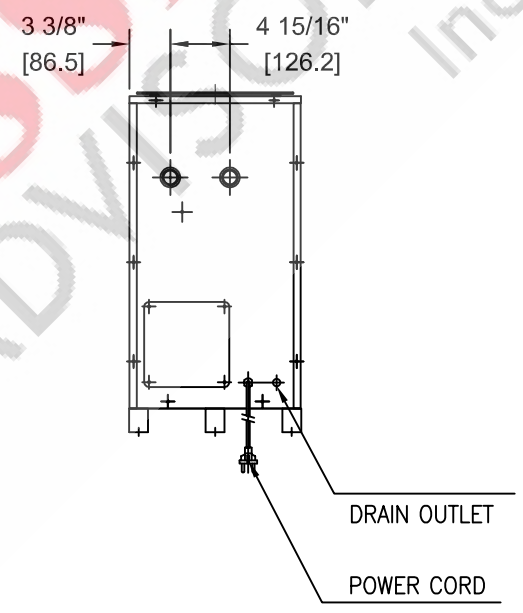
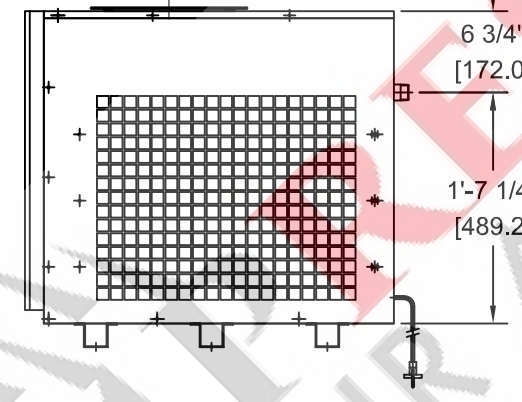
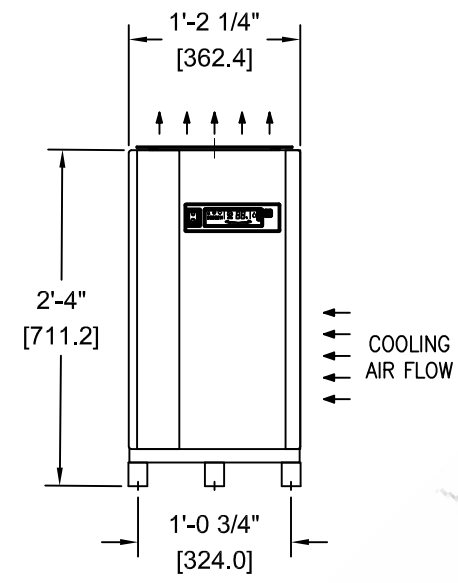
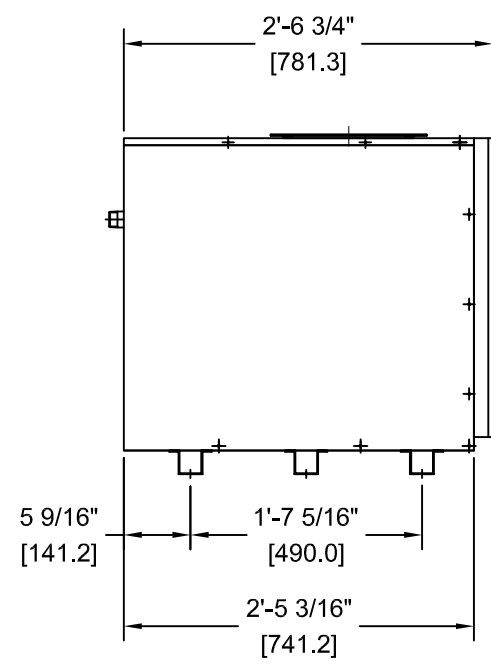
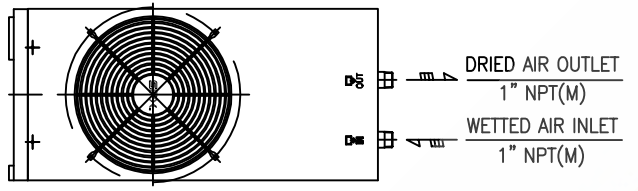


4

3

2

1



**SERVICE :**  
COMPRESSED AIR

**OPERATING CONDITIONS :**  
AIR INLET FLOW RATING- 100 SCFM  
RATED INLET AIR PRESSURE- 100 PSIG  
MAXIMUM INLET AIR PRESSURE- 232 PSIG  
MINIMUM INLET AIR PRESSURE- 43.5 PSIG  
RATED INLET AIR TEMPERATURE- 100°F  
MAXIMUM INLET AIR TEMPERATURE- 122°F  
MINIMUM INLET AIR TEMPERATURE- 39°F  
RATED AMBIENT AIR TEMPERATURE- 100°F  
MAXIMUM AMBIENT AIR TEMPERATURE- 113°F  
MINIMUM AMBIENT AIR TEMPERATURE- 36°F

**SPECIFICATIONS:**  
CONDENSER TYPE- AIR COOLED  
POWER SUPPLY- 115V/1PH/60Hz  
DRAIN TYPE- ELECTRONIC AUTO DRAIN VALVE  
EXPANSION DEVICE- CONSTANT PRESSURE EXPANSION VALVE  
WEIGHT- 147 LBS  
REFRIGERANT- R-134a

NOTE: PRIMARY DIMENSIONS ARE INCHES  
& DIMENSIONS IN BRACES ARE METRIC

**COMPRESSED**  
AIR ADVISORS  
Inc.  
Compressed Air Advisors, Inc.  
Phone: 877.247.2381  
info@compressedairadvisors.com  
www.compressedairadvisors.com

REV.	DESCRIPTION	APPROVED
REVISION HISTORY (△ INDICATES LATEST REVISION)		

UNLESS OTHERWISE SPECIFIED  
DIMENSIONS ARE IN INCHES  
TOL. ON FRACTIONS: ± 1/16  
TOL. ON DECIMALS: ± .030 (2 PLACE)  
TOL. ON DECIMALS: ± .015 (3 PLACE)  
TOL. ON ANGLES: ± 1

THIRD ANGLE PROJECTION

DRAWN BY: DPM  
DATE: 2/2/17  
CHECKED BY: NLC  
DATE: 2/2/17  
APPROVED BY: NLC  
DATE: 2/2/17

**Hankison®**

GENERAL ASSEMBLY  
FLX 1.2

SIZE B	DWG. NO. GA03HAN-0158	REV.
SCALE: NONE	EST. WT.	SHEET 1 OF 1

4

3

2

1