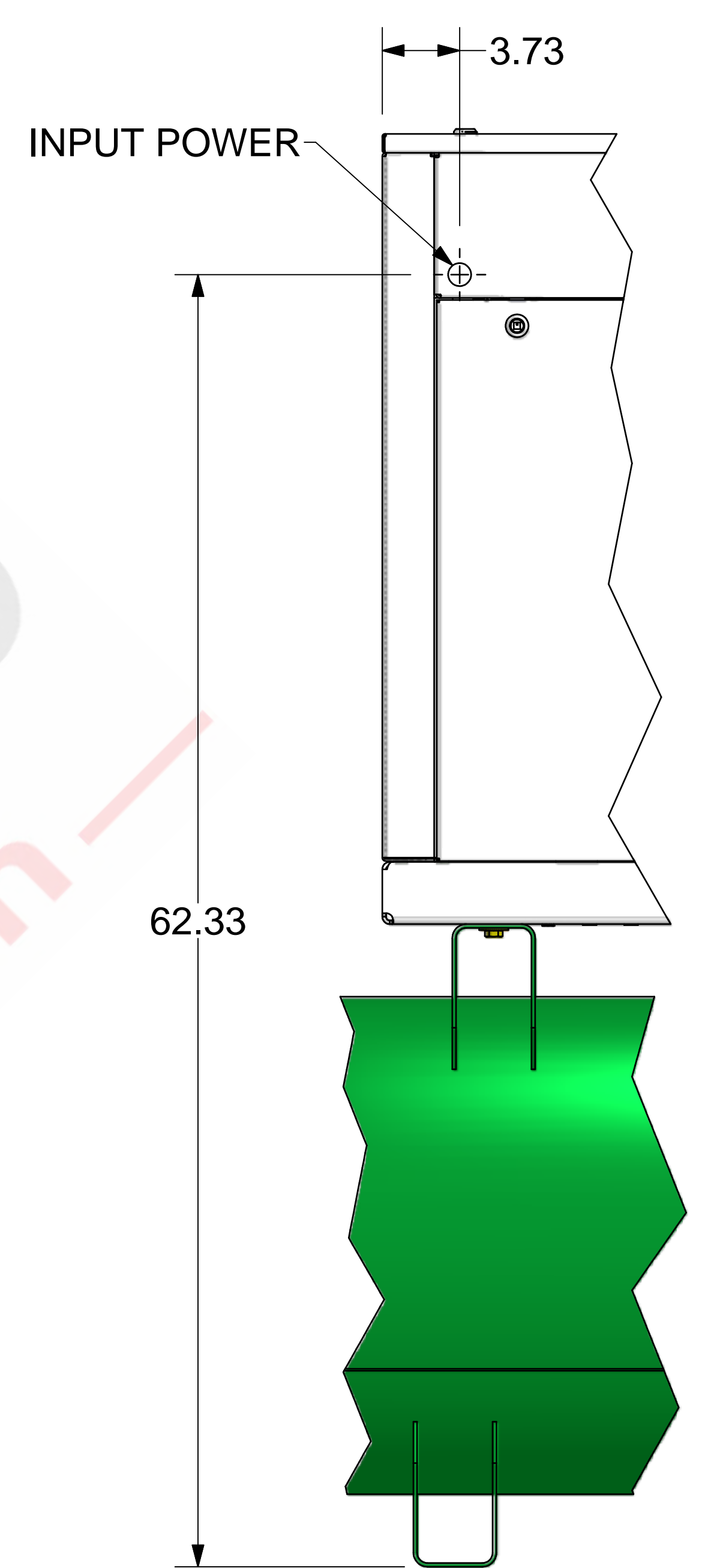
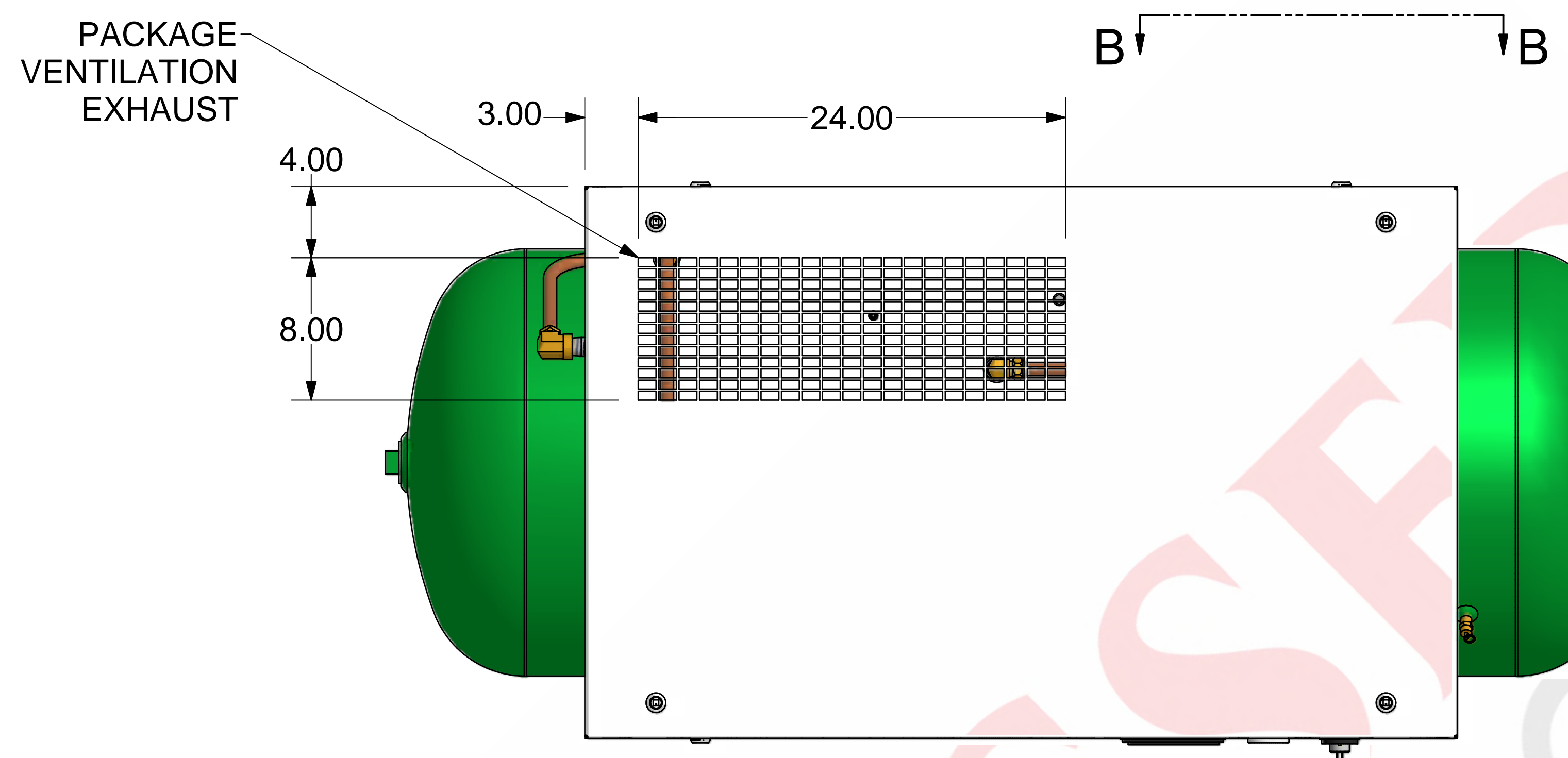
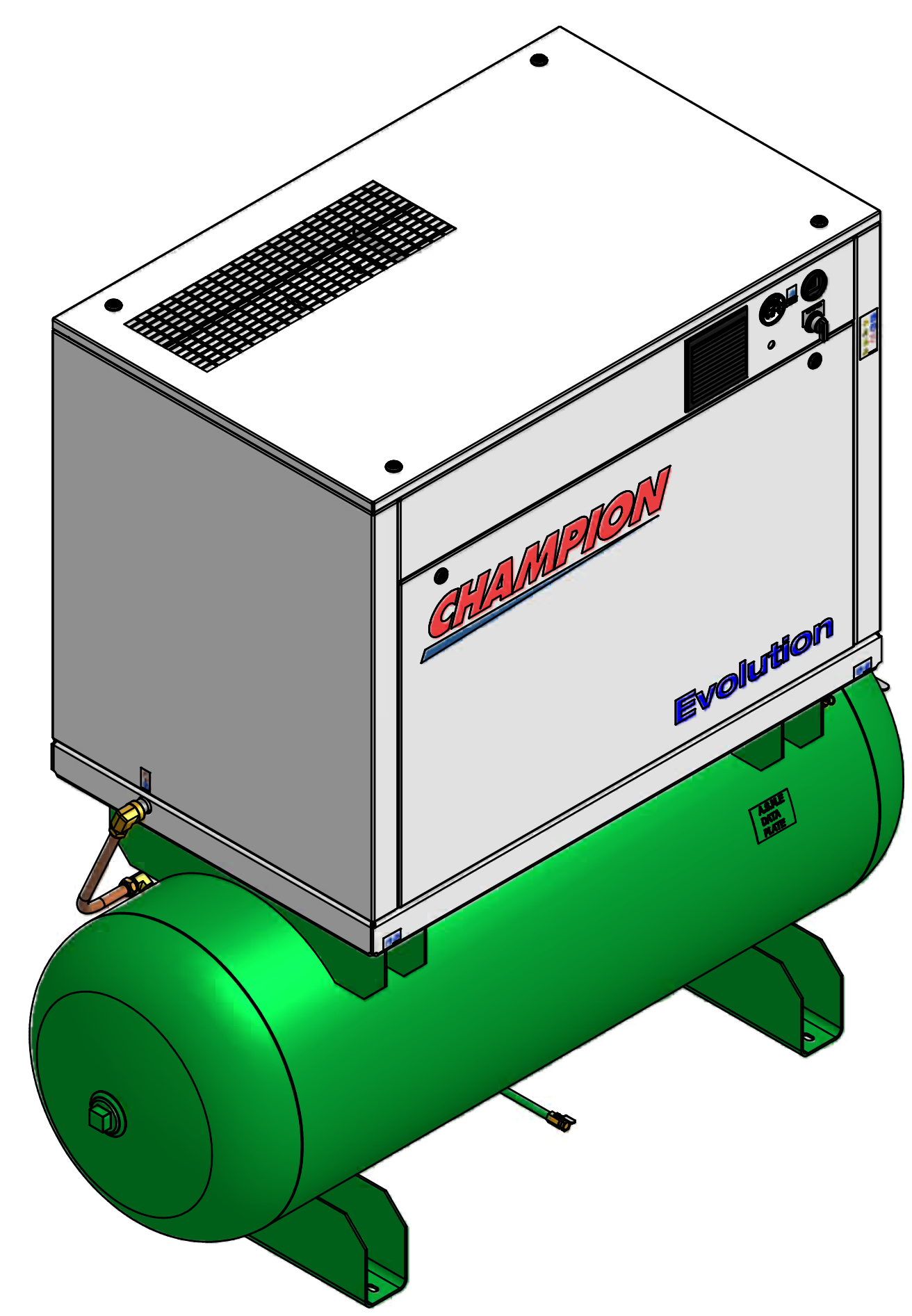
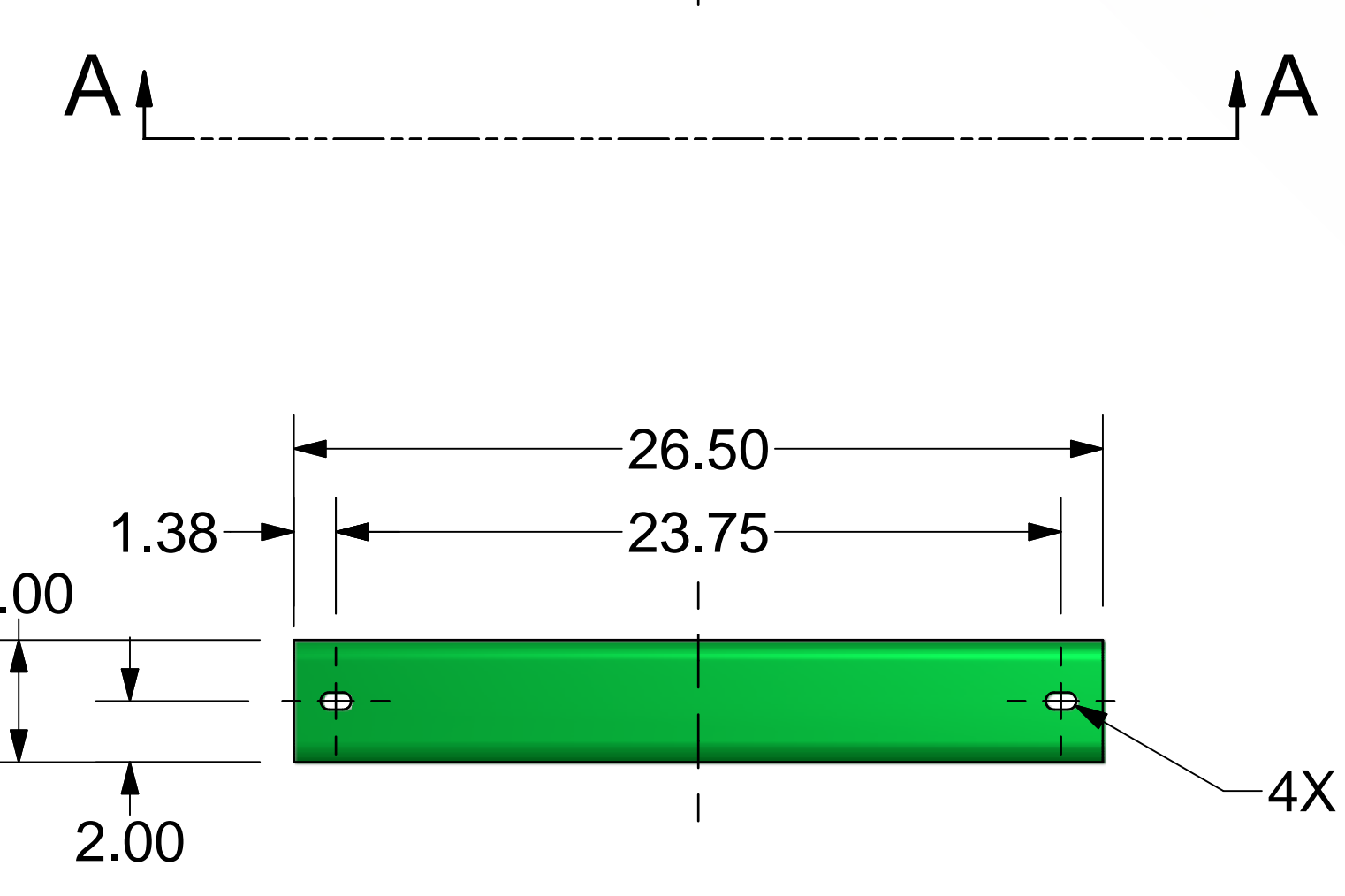
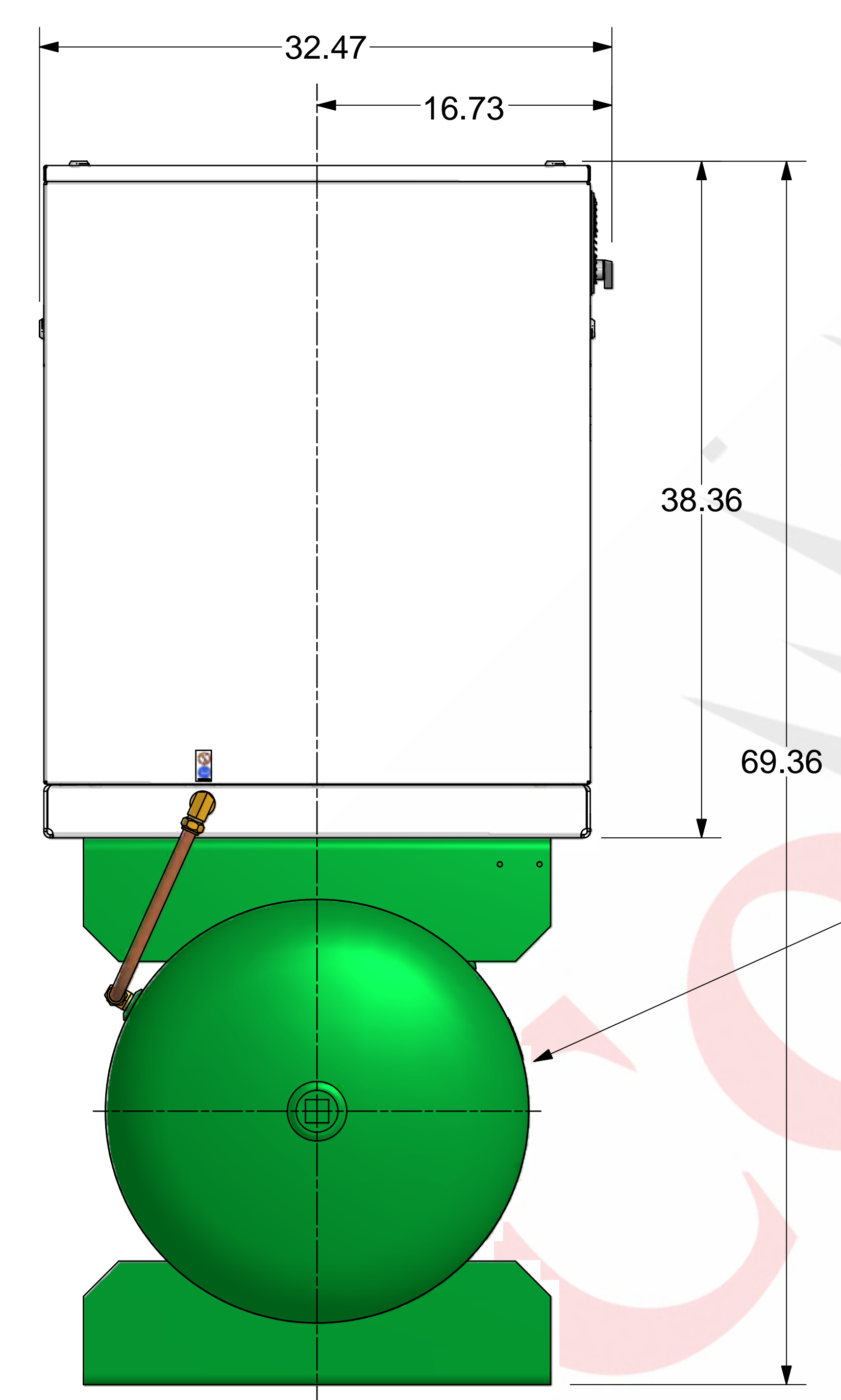


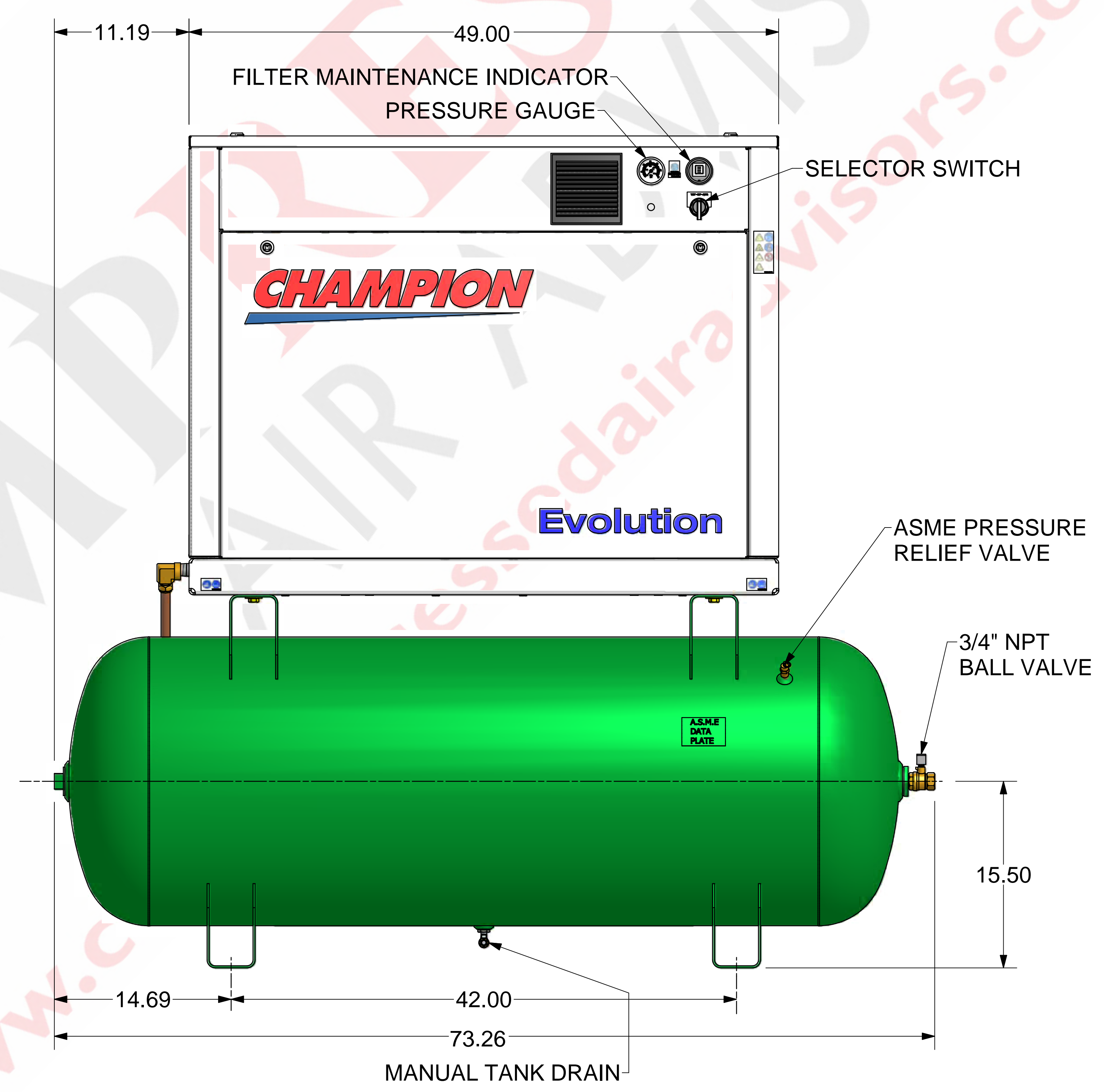
REVISION HISTORY		DATE	DWN	CHK
ZONE	REV	DESCRIPTION		
	A	RELEASED PER ECN 1059463		



VIEW B-B
SCALE 0.18 : 1
ROTATED



VIEW A-A
SCALE 0.18 : 1



COMPRESSED
AIR ADVISORS
Inc.
Compressed Air Advisors, Inc.
Phone: 877.247.2381
info@compressedairadvisors.com
www.compressedairadvisors.com

<small>FINISH OF CHAMFERS AND FILLETS TO CONFORM TO ROUGHEST ADJACENT AREA. SURFACE ROUGHNESS MAXIMUM PER ASME B46.1. FULL THREAD DEPTHS ARE MINIMUM.</small>		<small>CONFIDENTIAL - THE INFORMATION CONTAINED IN THIS DOCUMENT IS THE PROPERTY OF GARDNER DENVER, INC. IT IS NOT FOR PUBLIC DISCLOSURE. POSSESSION OF THE INFORMATION DOES NOT CONVEY ANY RIGHT TO LOAN, SELL, OR DISCLOSE THE INFORMATION. UNAUTHORIZED REPRODUCTION OR USE OF THE INFORMATION IS PROHIBITED. THIS DOCUMENT IS TO BE RETURNED TO GARDNER DENVER, INC. UPON THE COMPLETION OF THE PURPOSE FOR WHICH IT IS LOANED OR UPON REQUEST.</small>	
<small>UNLESS OTHERWISE SPECIFIED DIMENSIONS ARE IN INCHES</small>		<small>DIMENSIONING AND TOLERANCING PER ASME Y14.5-2009</small>	
<small>TOL. ON DECIMALS: .X = ± .05</small> <small>TOL. ON DECIMALS: .XX = ± .02</small> <small>TOL. ON DECIMALS: .XXX = ± AS SPECIFIED</small> <small>TOL. ON ANGLES: ± 0°-30'</small>		<small>THREADS PER ASME B1.1 GAGING SYSTEM 21 U.O.S., ANSI B1.20.1 & B1.20.3</small>	
<small>THIRD ANGLE PROJECTION</small>		<small>HEAT TREATMENT</small>	<small>ENG. REF:</small>
		CHAMPION <small>A Gardner Denver Product</small>	<small>TITLE</small> OUTLINE-BARE UNIT
<small>DWN BY</small> DLH 5/3/2011	<small>SCALE</small> 0.18 : 1	<small>HER</small> 10-12, HER 15F-12	<small>REV</small> A
<small>CKD BY</small> DJA 5/3/2011	<small>SHEET</small> 1 OF 1	<small>318CAS800</small>	