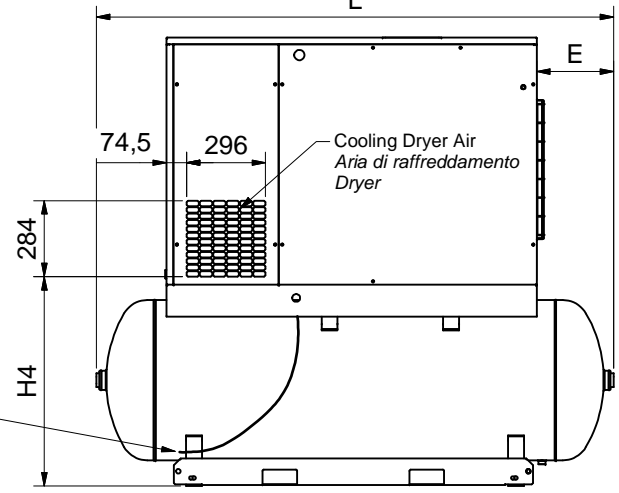
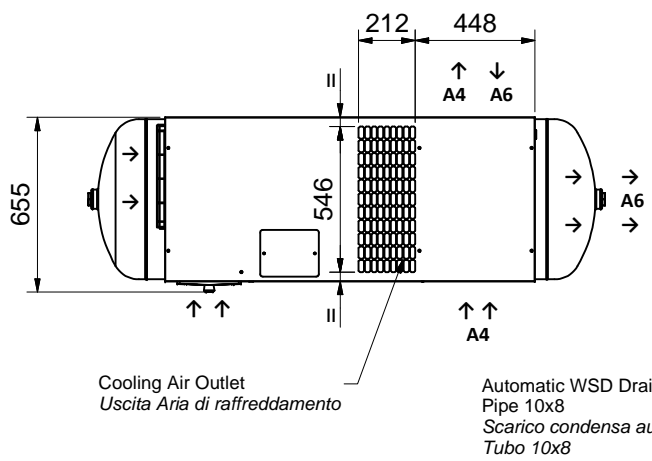
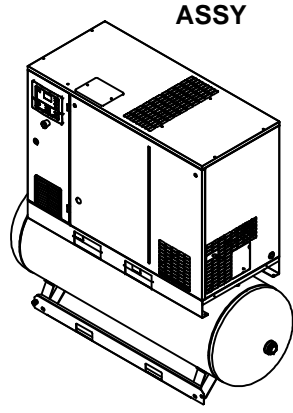
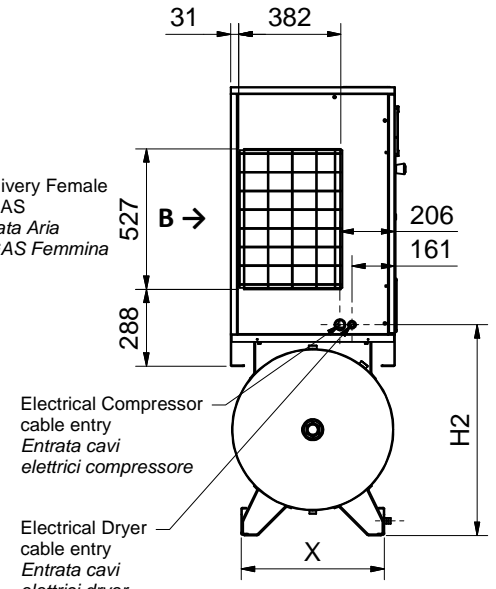
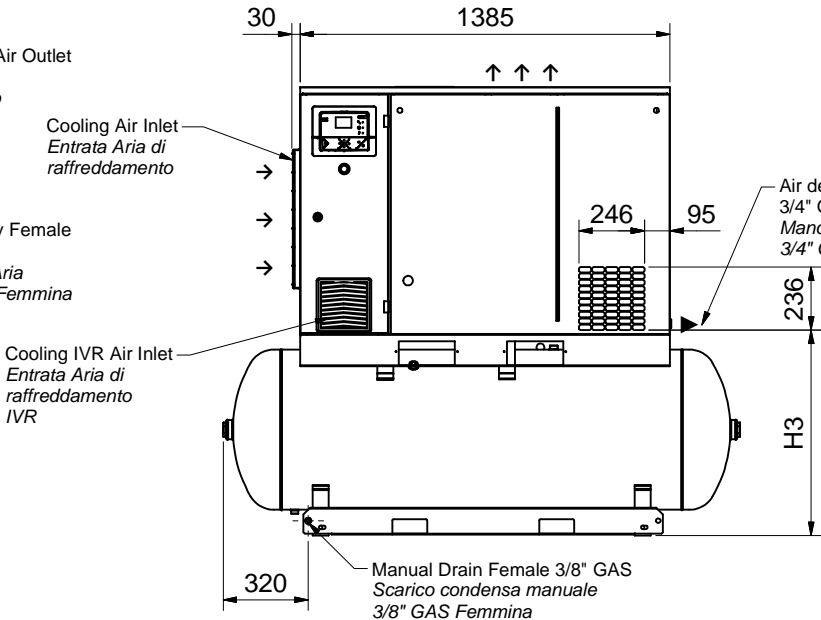
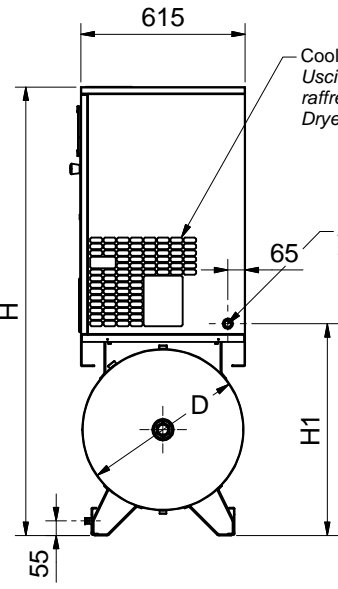


All materials supplied are in compliance with the requirements of the List of Prohibited Substances



**COMPRESSED**  
AIR ADVISORS ONLINE, INC.  
YOUR COMPRESSED AIR PARTNER

**877.247.2381**

[www.CompressedAirAdvisors.com](http://www.CompressedAirAdvisors.com)

**10-15-20 Hp - IVR**

| TYPE        | L    | D   | E   | X   | H    | H1  | H2  | H3  | H4  |
|-------------|------|-----|-----|-----|------|-----|-----|-----|-----|
| mm          |      |     |     |     |      |     |     |     |     |
| Vessel 500L | 1935 | 600 | 88  | 536 | 1680 | 795 | 790 | 770 | 785 |
| Vessel 270L | 1535 | 500 | 120 | 466 | 1550 | 665 | 660 | 640 | 655 |

|    |                              |               |      |               |                 |            |
|----|------------------------------|---------------|------|---------------|-----------------|------------|
| 00 | ISSUED DN 15 0612 31 - 25936 | 23-09-2015    |      | 9828083214-M1 | 00              |            |
| Ed | Position                     | Modified from | Date | Intr./Appd.   | Parent 3D model | Edition 3D |

|   |  |               |  |           |  |                 |  |             |  |
|---|--|---------------|--|-----------|--|-----------------|--|-------------|--|
| Tolerances, if not indicated, according to: |  |               |  |           |  |                 |  |             |  |
| Name DIM.DRW C55DD TM FF CP                 |  |               |  |           |  |                 |  |             |  |
| Material Not Applicable                     |  |               |  |           |  |                 |  |             |  |
| Treatment Not Applicable                    |  |               |  |           |  |                 |  |             |  |
| Scale 1:20                                  |  | Family C55*DD |  | Compare   |  | Drawing owner   |  | CAI         |  |
| Drawn by caipandrighetto                    |  | Blank nr.     |  | Replaces  |  | Designation     |  | Sheet 1 / 3 |  |
| Drawing format A3                           |  | Blank wt      |  | Kg        |  | Fini wt.        |  | N/A         |  |
| Des checked.                                |  | Prod checked. |  | Approved. |  | Date 15/09/2015 |  | 9828083214  |  |

CONFIDENTIAL: This document is our property and shall not without our permission be altered, copied, used for manufacturing or communicated to any other person or company.