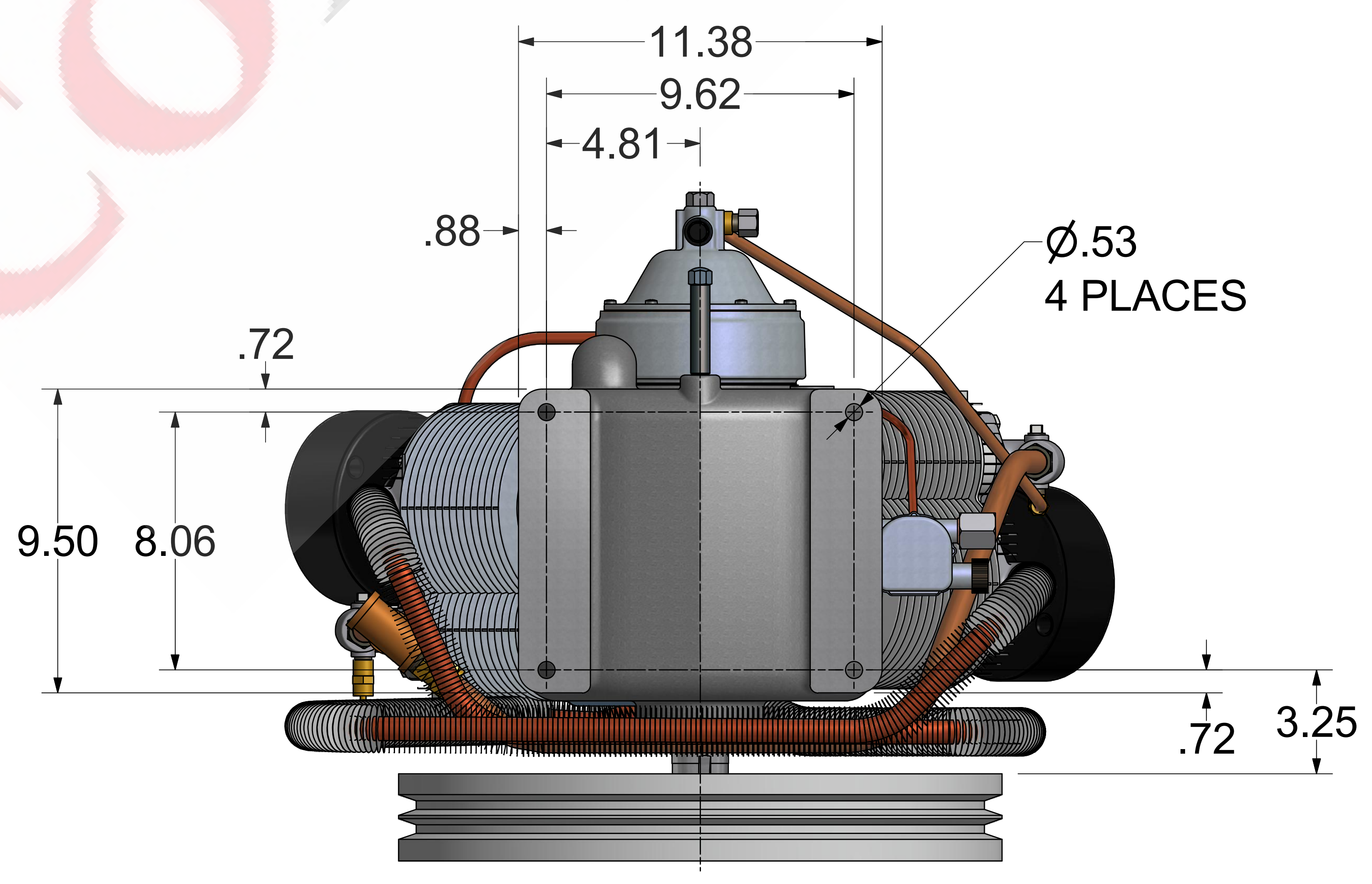
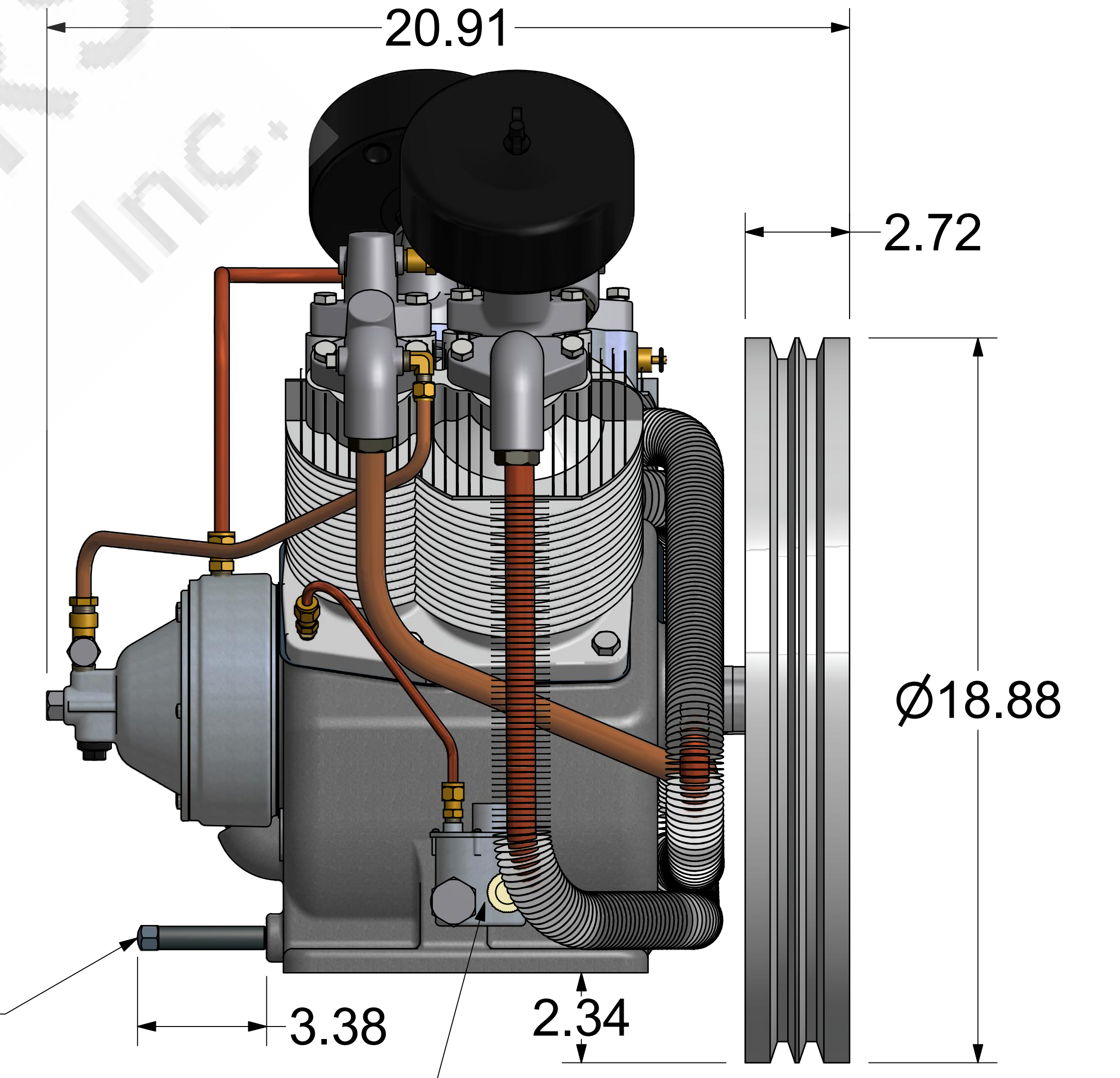
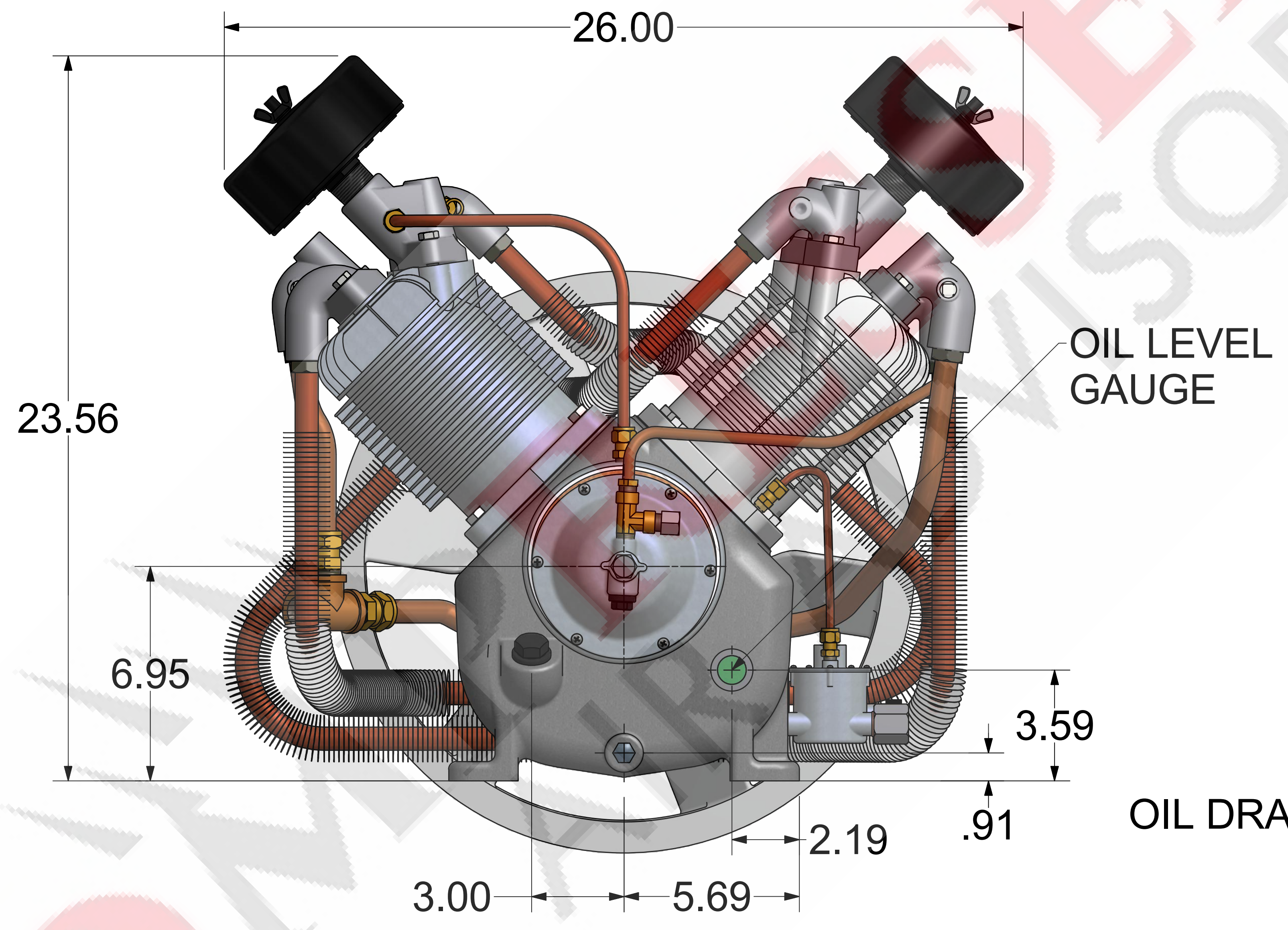
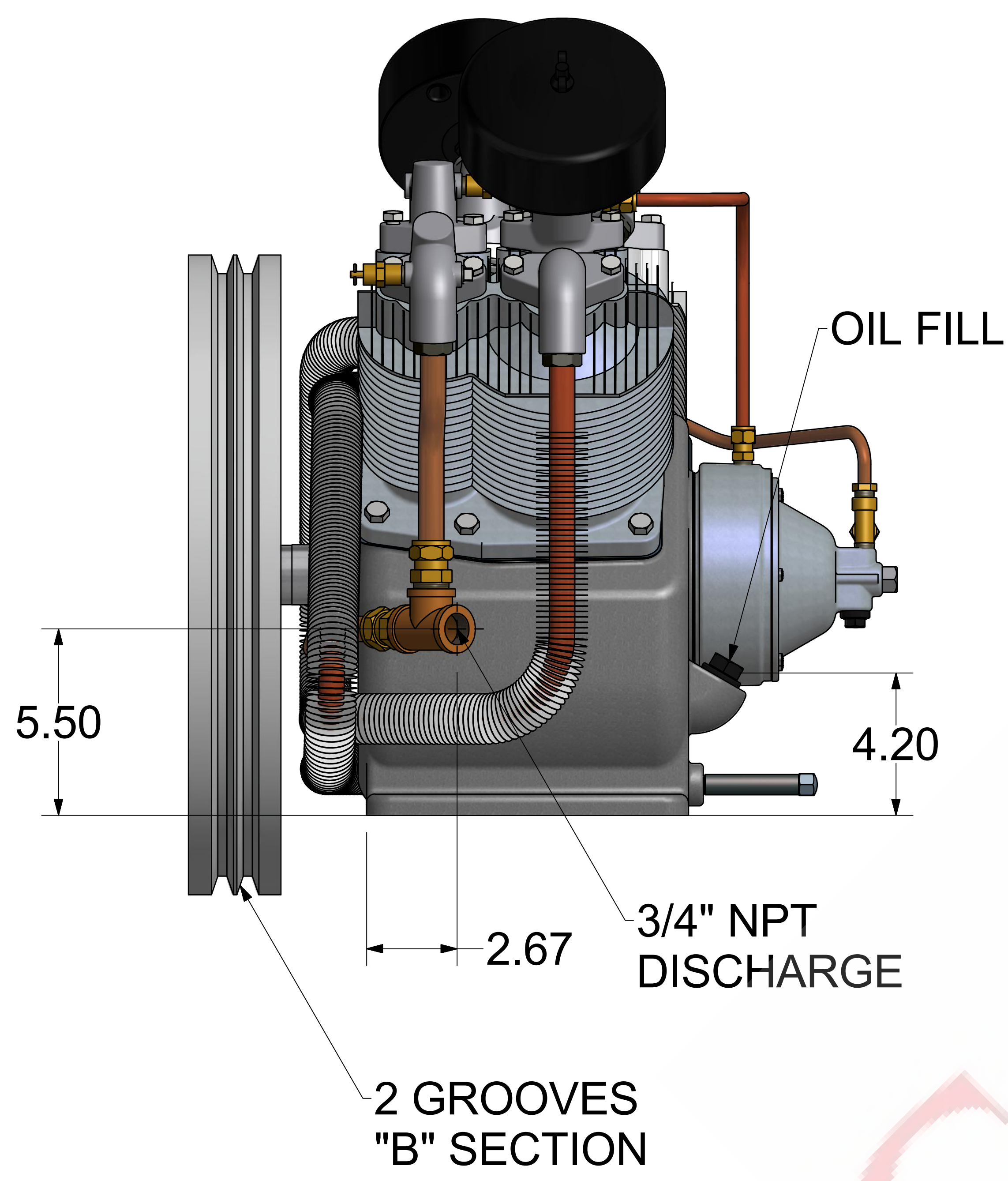
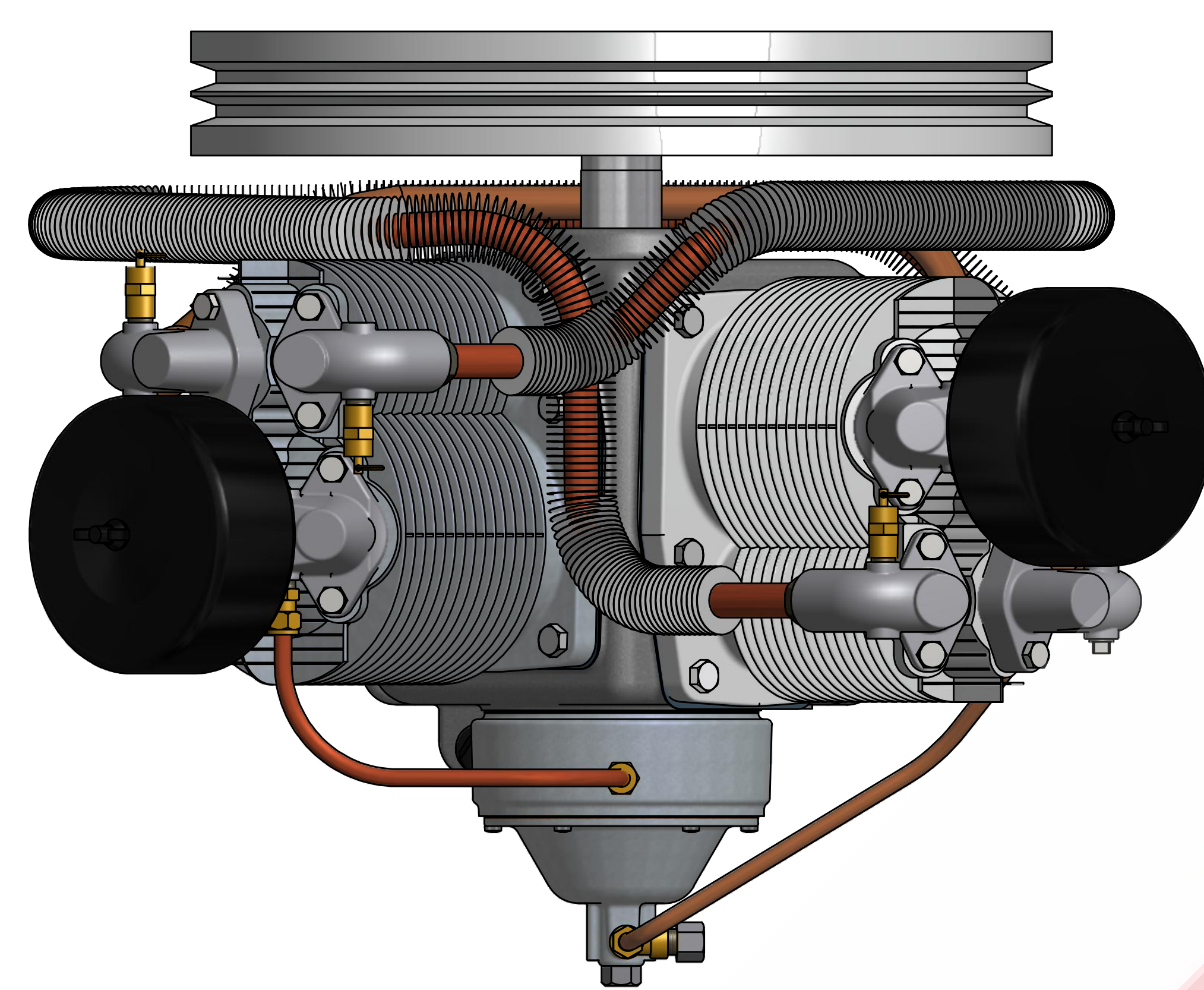
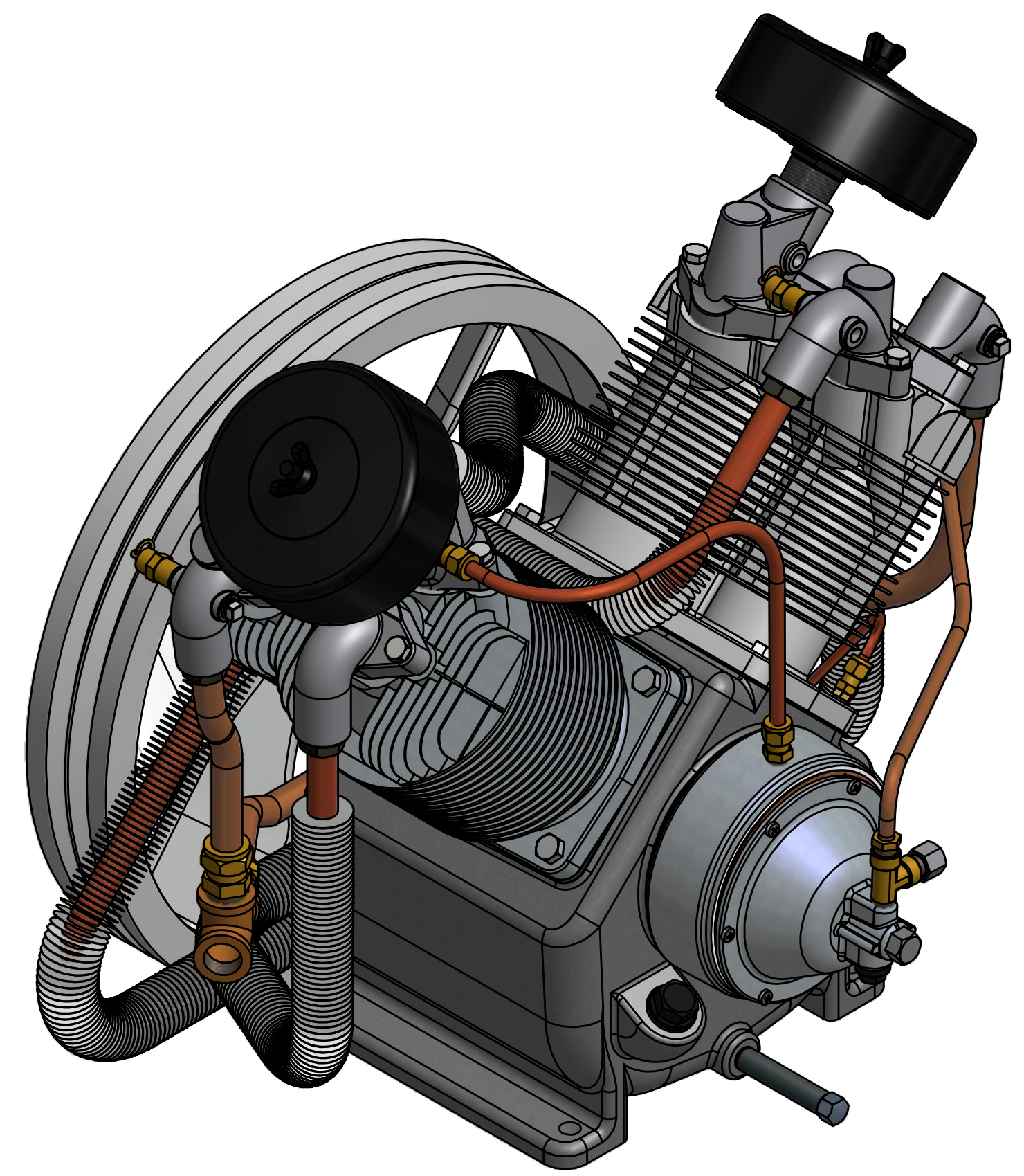


REVISION HISTORY					
ZONE	REV	DESCRIPTION	DATE	DWN	CHK
	A	RELEASED PER ECN 1089696	2/19/2015	MRF	KWT



LOW OIL SHUT DOWN CONTROL (OPTIONAL)

COMPRESSED
AIR ADVISORS
Inc.
Compressed Air Advisors, Inc.
Phone: 877.247.2381
info@compressedairadvisors.com
www.compressedairadvisors.com

NOTES:

1. DO NOT SCALE DRAWING.
2. SPECIFICATIONS AND DIMENSIONS ARE SUBJECT TO CHANGE WITHOUT NOTICE OR OBLIGATION.
3. ALL DIMENSIONS IN INCHES.

<small>FINISH OF CHAMFERS AND FILLETS TO CONFORM TO ROUGHEST ADJACENT AREA. SURFACE ROUGHNESS MAXIMUM PER ASME B46.1. FULL THREAD DEPTHS ARE MINIMUM.</small>		<small>CONFIDENTIAL - THE INFORMATION CONTAINED IN THIS DOCUMENT IS THE PROPERTY OF GARDNER DENVER, INC. IT IS NOT FOR PUBLIC DISCLOSURE. POSSESSION OF THE INFORMATION DOES NOT CONVEY ANY RIGHT TO LOAN, SELL OR DISCLOSE THE INFORMATION UNAUTHORIZED REPRODUCTION OR USE OF THE INFORMATION IS PROHIBITED. THIS DOCUMENT IS TO BE RETURNED TO GARDNER DENVER, INC. UPON THE COMPLETION OF THE PURPOSE FOR WHICH IT IS LOANED OR UPON REQUEST.</small>	
<small>UNLESS OTHERWISE SPECIFIED DIMENSIONS ARE IN INCHES</small>		<small>DIMENSIONING AND TOLERANCING PER ASME Y14.5-2009</small>	
<small>TOL. ON DECIMALS: .X = ± .05</small> <small>TOL. ON DECIMALS: .XX = ± .02</small> <small>TOL. ON DECIMALS: .XXX = ± AS SPECIFIED</small> <small>TOL. ON ANGLES: ± 0°-30'</small>		<small>THREADS PER ASME B1.1 GAGING SYSTEM 21 U.O.S., ANSI B1.20.1 & B1.20.3</small>	
<small>THIRD ANGLE PROJECTION</small>		<small>HEAT TREATMENT</small>	
<small>Gardner Denver Inc. Quincy, IL</small>		<small>ENG. REF:</small>	
<small>DWN BY MRF 2/19/2015</small>		<small>TITLE</small>	
<small>CKD BY KWT 2/19/2015</small>		<small>OUTLINE - BARE UNIT</small>	
<small>SCALE</small>		<small>R30D</small>	
<small>SCALE</small>		<small>ENC. APPROVAL</small>	
<small>SCALE</small>		<small>MRF</small>	
<small>SCALE</small>		<small>307CAP800</small>	
<small>SCALE</small>		<small>REV</small>	
<small>SCALE</small>		<small>A</small>	
<small>SCALE</small>		<small>1 OF 1</small>	