

NOTES:

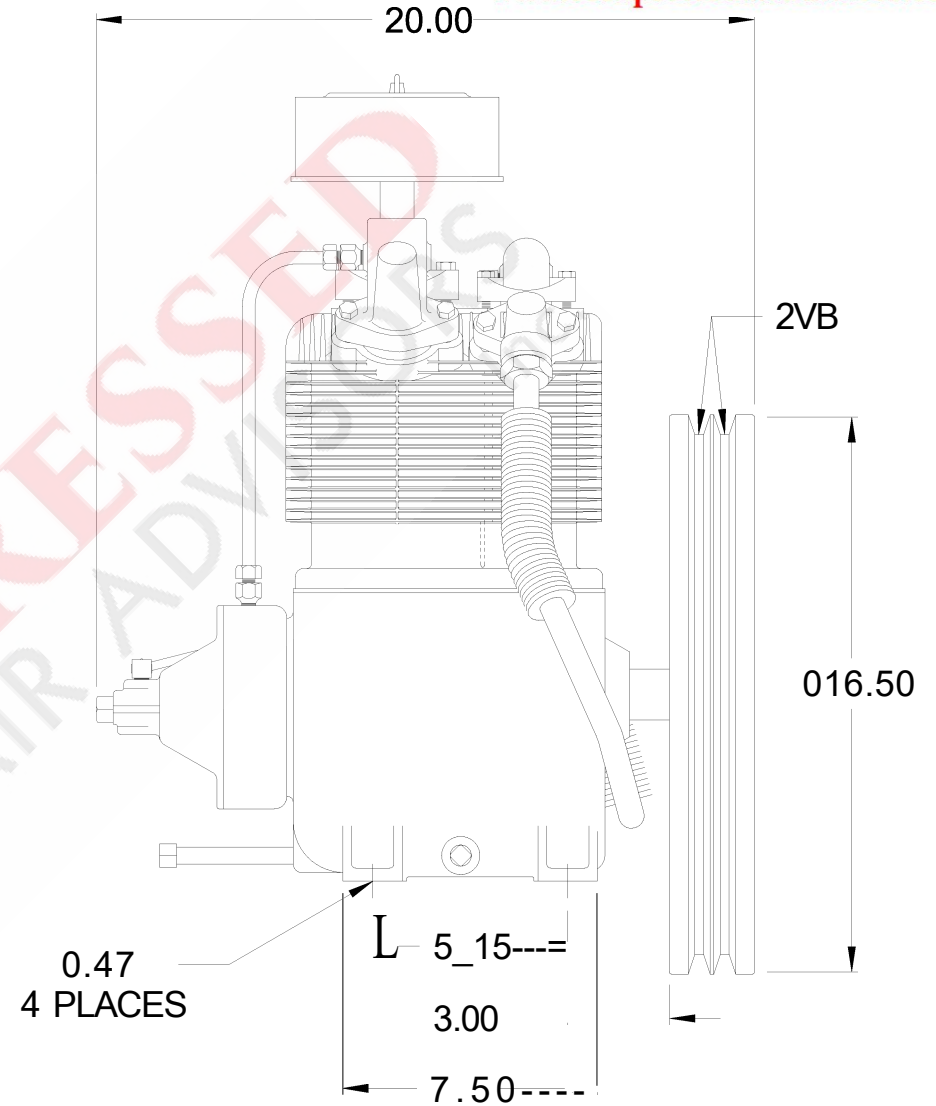
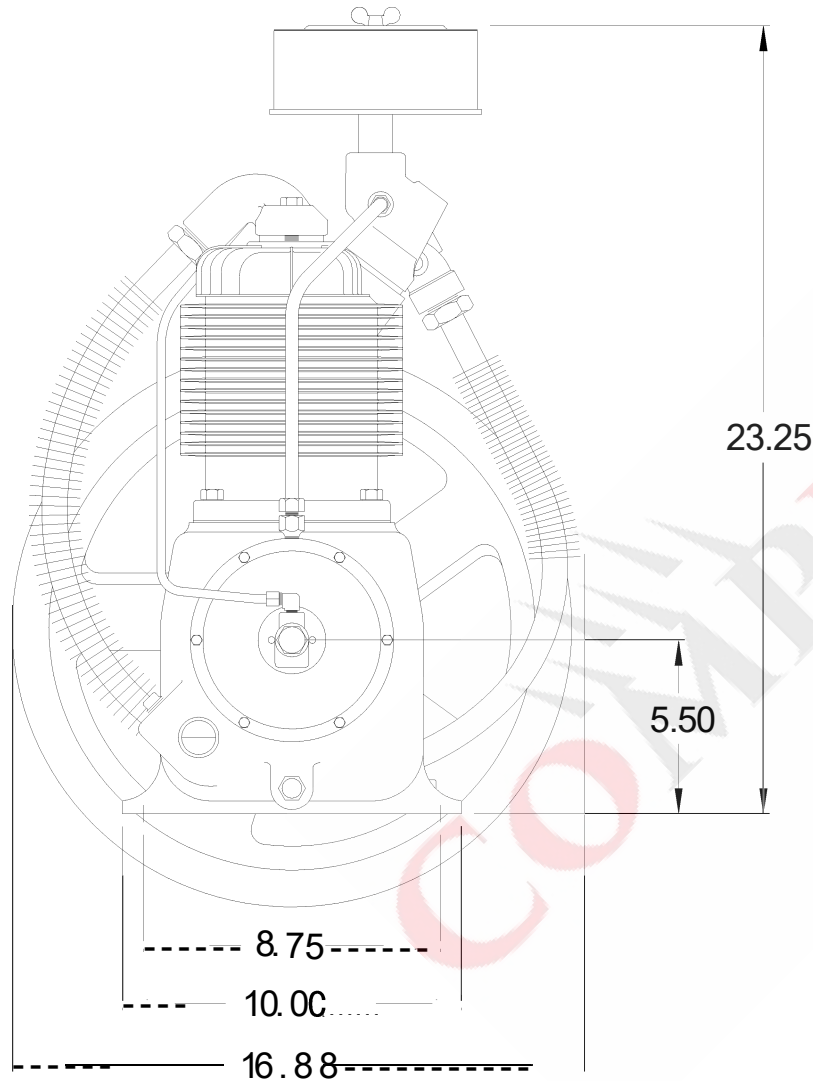
1. DO NOT SCALE PRINT, TYPICAL DIMENSIONS ONLY.
2. SPECIFICATIONS AND DIMENSIONS ARE SUBJECT TO CHANGE WITHOUT NOTICE OR OBLIGATION.
3. ALL DIMENSIONS IN INCHES.

Compressed Air Advisors, Inc.

Phone: 877.247.2381

info@compressedairadvisors.com

www.compressedairadvisors.com



NOTICE:

REFERENCE DRAWING ONLY MAY NOT INCLUDE SPECIFIC ACCESSORY ITEMS FOR ANY PARTICULAR ORDER.

CHAMPION - A GARDNER DENVER COMPANY

UNIT MODEL	PRINT NO.:
	DD-B-147
R10D & R15B PUMPS	DRWN BY: M.D.H.
	DATE: 2-10-93
	CHK'D BY:
	DATE: