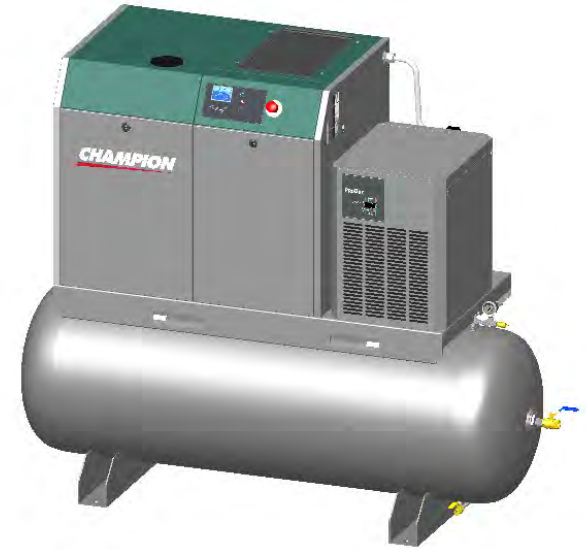
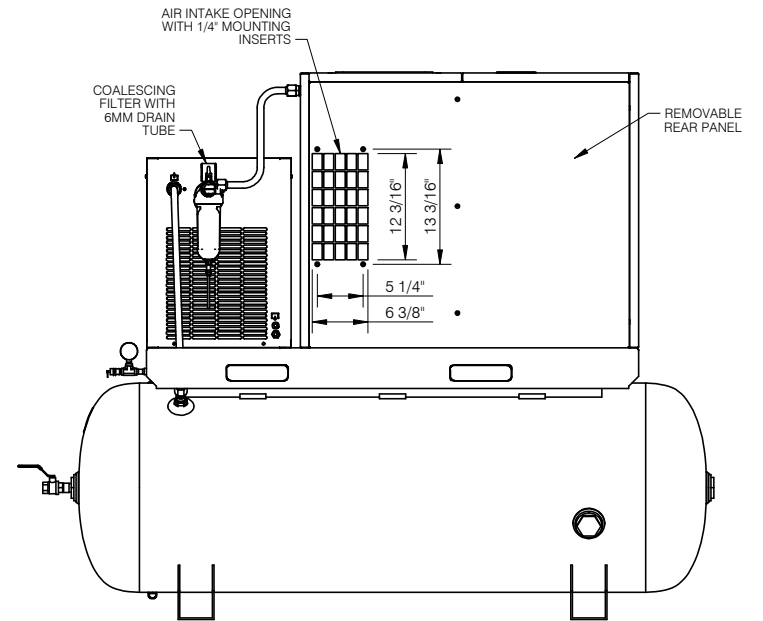
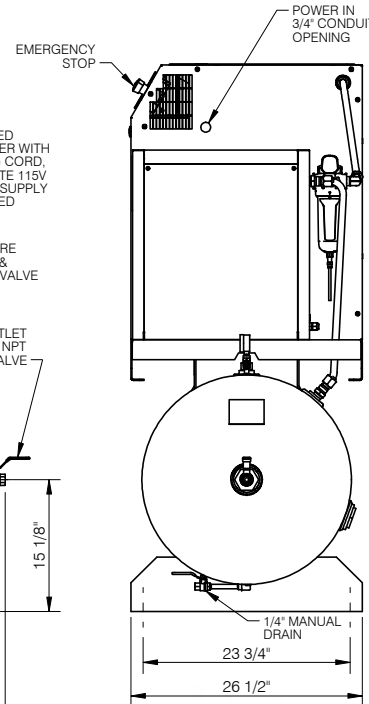
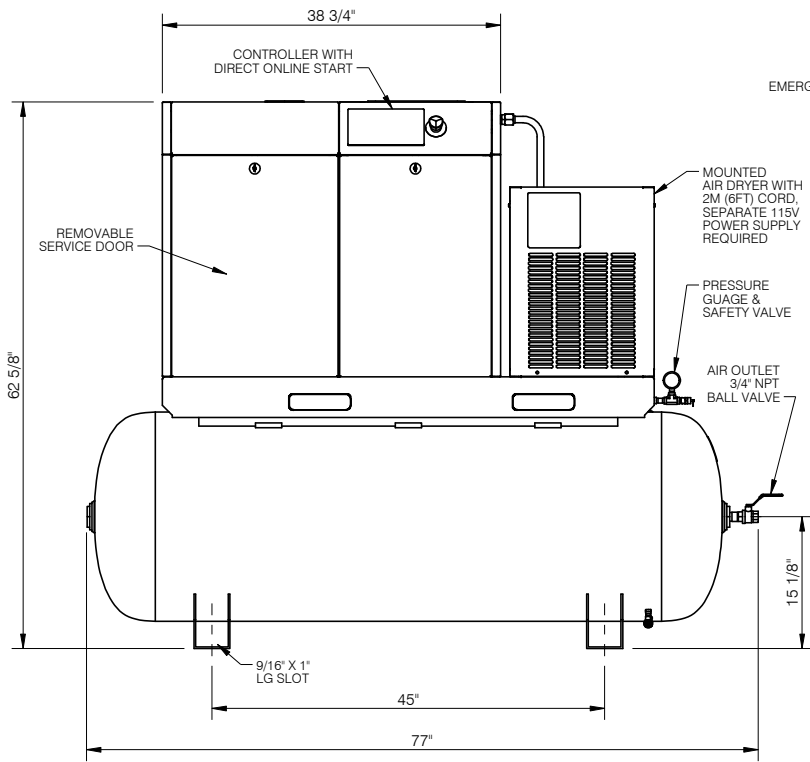
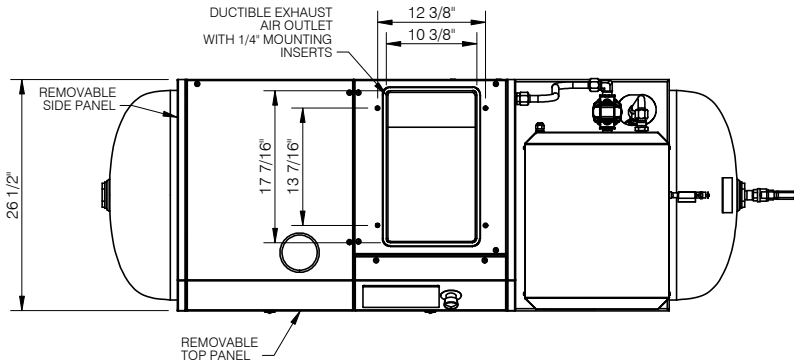


MODEL NO.	HP	PRESSURE PSI	ACFM @ LOAD PRESSURE	NOMINAL SOUND @ 1 METRE	FULL LOAD CURRENT (AMPS)			AIR RECEIVER GAL.	DRYER	FILTER ELEMENT	WEIGHT LBS
					3-PHASE						
					200V	230V	460V				
D10TD	10	125-145	33	65 dBA	32.2	28	14	120	ASD-40 115V, 60Hz, 5.24A	1 MICRON	970
D15TD	15	125-145	52	69 dBA	48.3	42	21	120	ASD-60 115V, 60Hz, 6.96A	1 MICRON	1175



INSTALLATION REQUIREMENTS

1. MAINTAIN 3 FEET DISTANCE FROM WALLS AND OTHER OBJECTS FOR PURPOSE OF COOLING AND SERVICING.
2. COMPRESSOR MUST BE LEVEL AND ANCHORED DOWN TO SOLID LEVEL FLOOR.
3. AMBIENT CONDITIONS:
10°C (50°F) MIN. 40°C (104°F) MAX.
4. APPROACH TEMP. FROM TANK 5°C (41°F)



IMPORTANT NOTE: This print is the confidential property of GARDNER DENVER, INC. It is not to be used or reproduced in any manner, nor submitted to other parties for examination without the prior approval of GARDNER DENVER, INC. GARDNER DENVER, INC. is continually trying to improve its products, specifications subject to change without notice.

REV.	DATE	REVISION DESCRIPTION	ECN NO.



NAME OF PROJECT				DESCRIPTION OF DRAWING		
D10-15TD SCREW COMPRESSOR WITH DRYER				SALES-ENGINEERING DRAWING		
DRAWN BY		CHECKED BY	DATE	SCALE	DRAWING NO.	SHT NO/REV.
DM		LT	02/20/19	N.T.S	D1015TD-SE	1/1 00