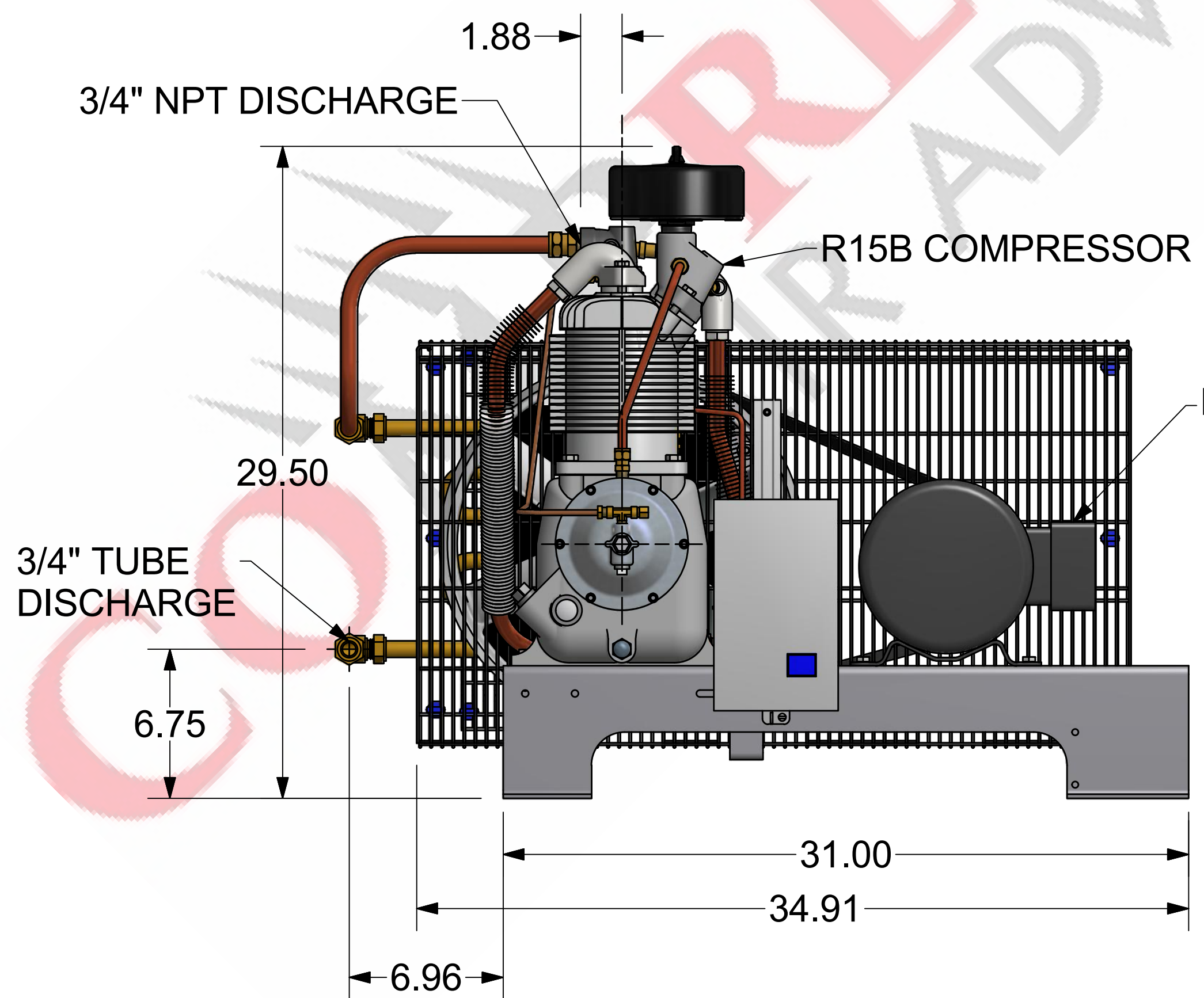
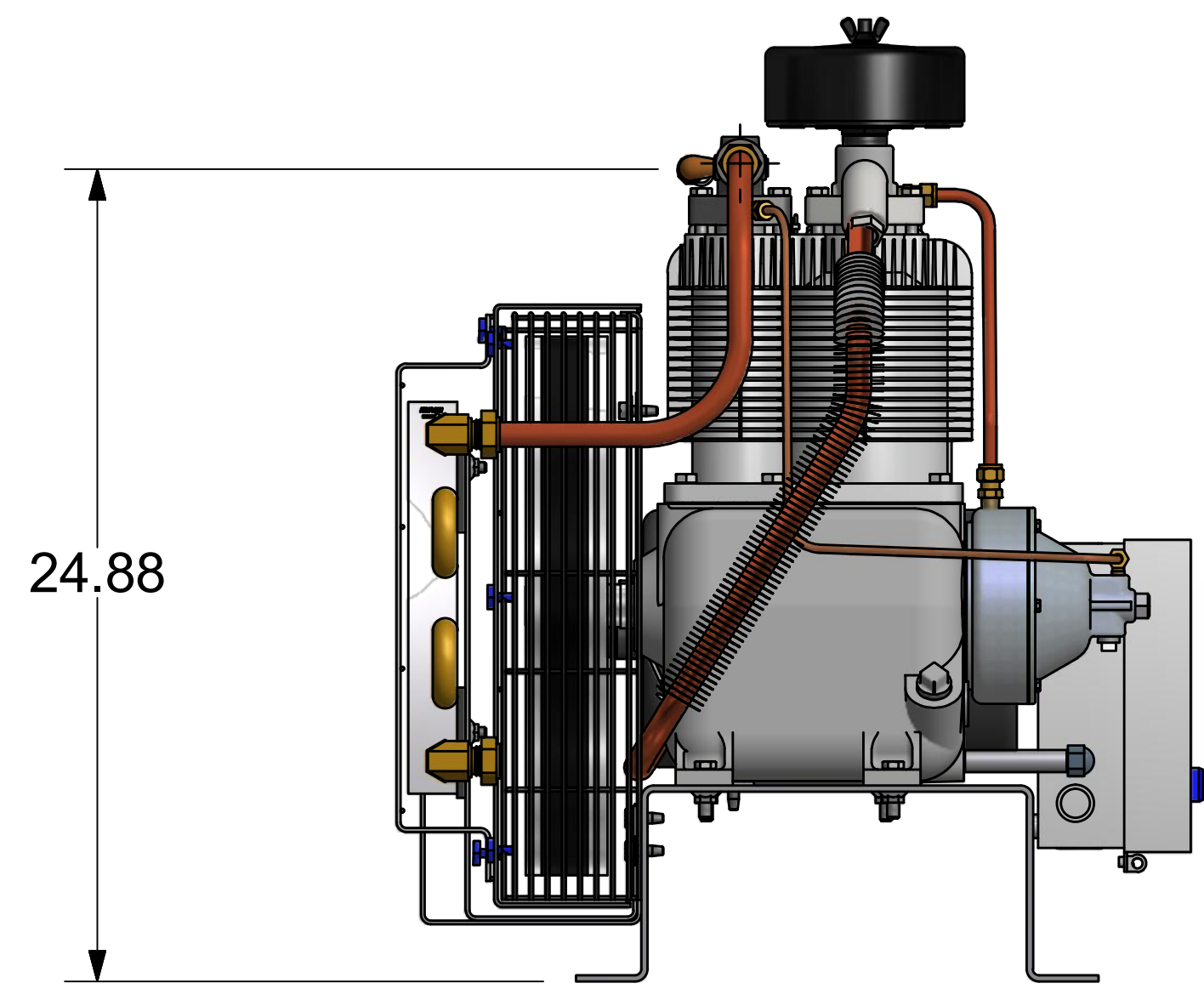
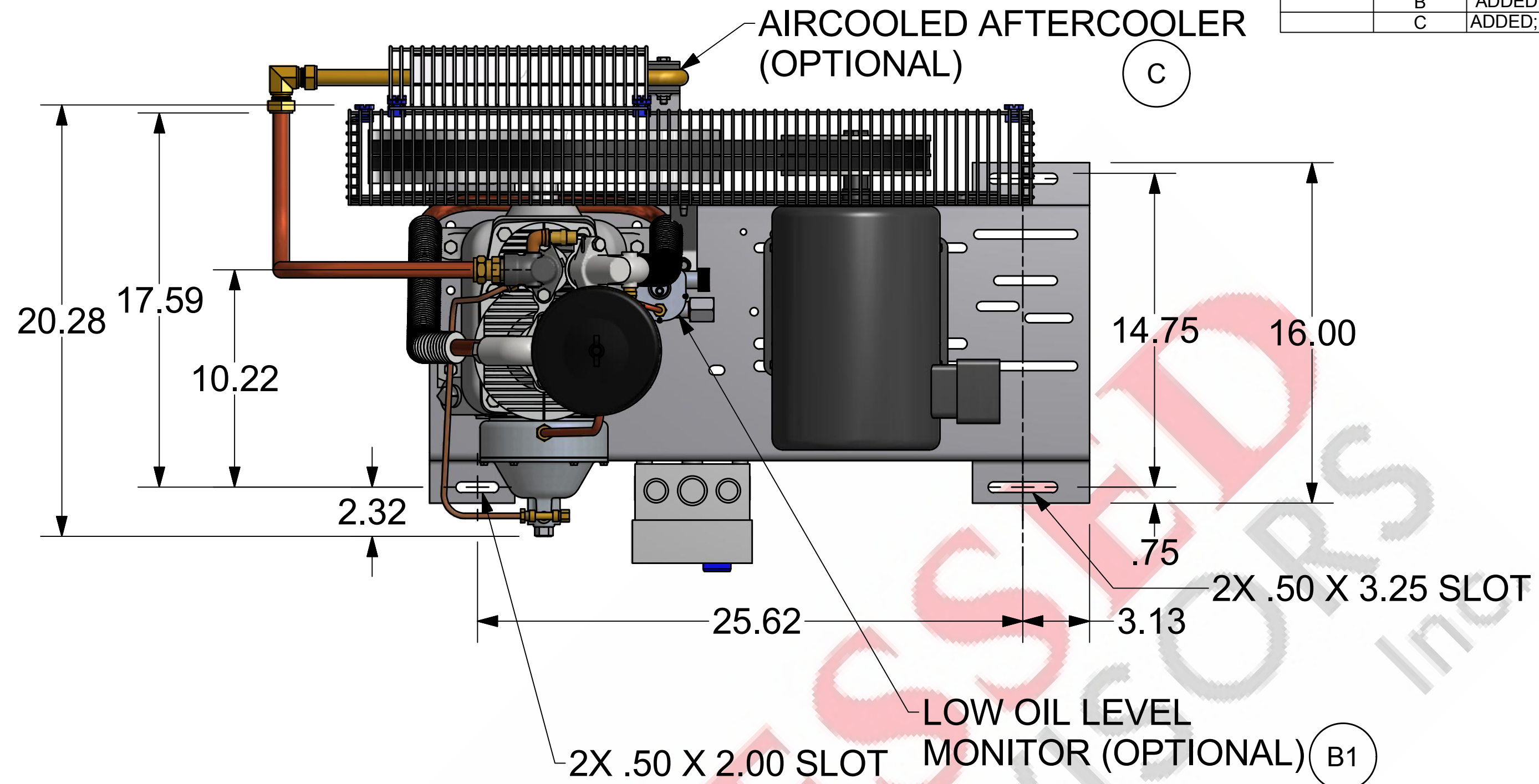
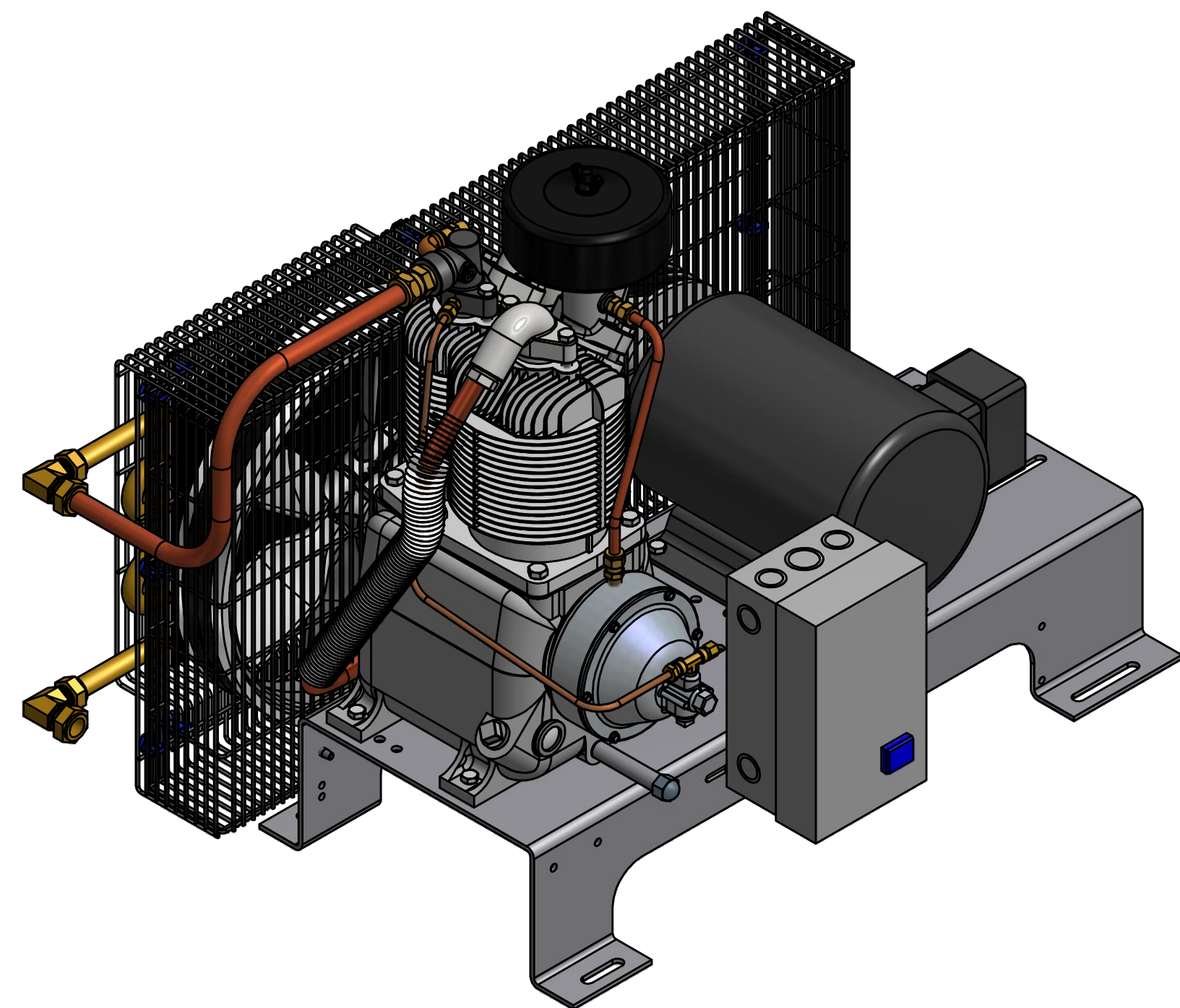


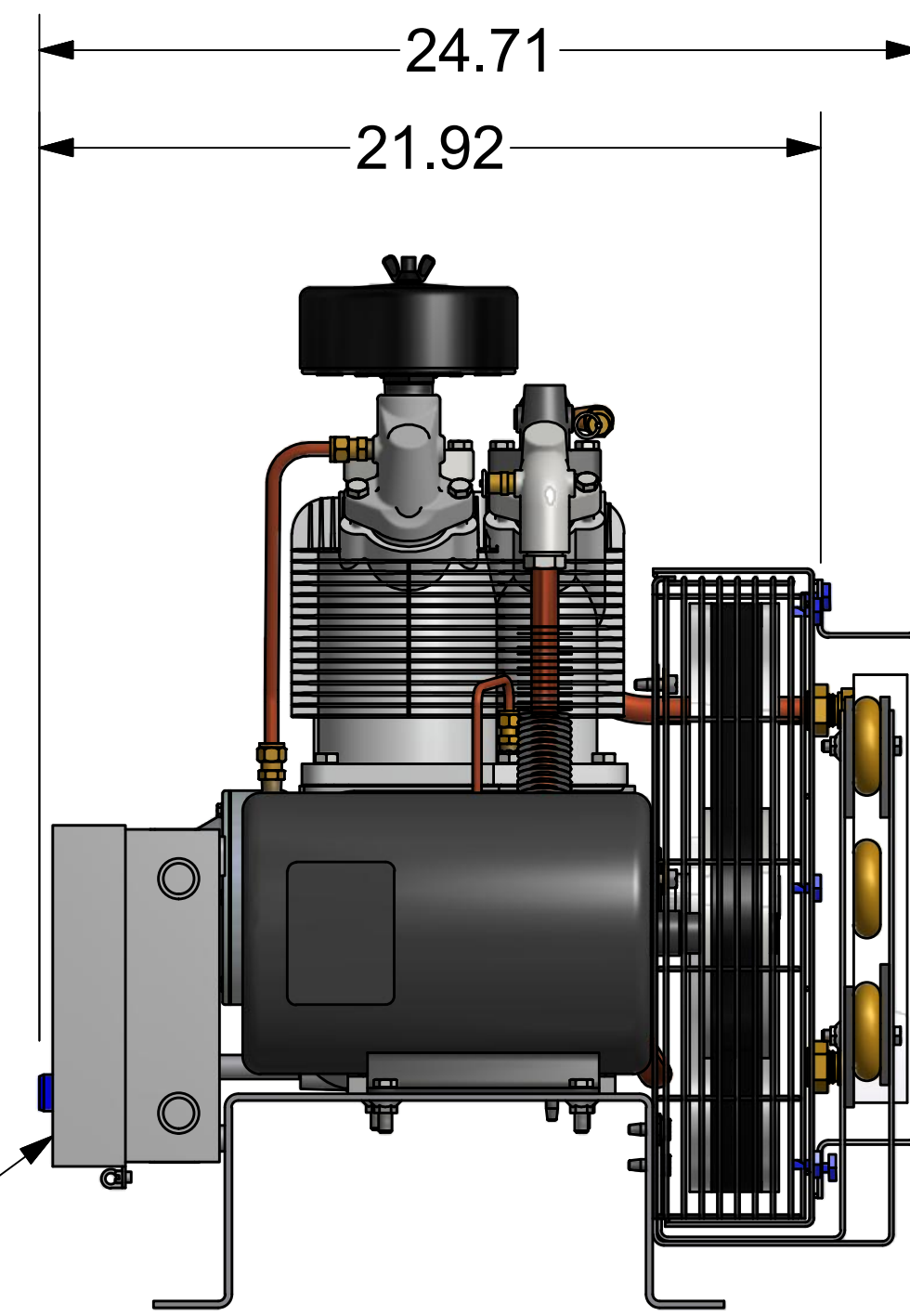
REVISION HISTORY					
ZONE	REV	DESCRIPTION	DATE	DWN	CHK
	A	RELEASED PER ECN 1055836			
	B	ADDED, B1 MADE OPTIONAL: ECN 1056848	1/12/11	KWT	DA
	C	ADDED; ECN 1080363	1/10/14	KWT	DA

COMPRESSED
AIR ADVISORS
Inc.
Compressed Air Advisors, Inc.
Phone: 877.247.2381
info@compressedairadvisors.com
www.compressedairadvisors.com



MOTOR: 3HP (BR3)
5HP (BR5)
7.5HP (BR7F)

(B) STARTER (OPTIONAL)



- NOTES:
- DO NOT SCALE DRAWING.
 - SPECIFICATIONS AND DIMENSIONS ARE SUBJECT TO CHANGE WITHOUT NOTICE OR OBLIGATION.
 - ALL DIMENSIONS ARE IN INCHES.
 - ADD 1.00" TO HEIGHT FOR VIBRATION ISOLATION OPTION.

FINISH OF CHAMFERS AND FILLETS TO CONFORM TO ROUGHEST ADJACENT AREA. SURFACE ROUGHNESS MAXIMUM PER ASME B46.1. FULL THREAD DEPTHS ARE MINIMUM.		CONFIDENTIAL - THE INFORMATION CONTAINED IN THIS DOCUMENT IS THE PROPERTY OF GARDNER DENVER, INC. IT IS NOT FOR PUBLIC DISCLOSURE. POSSESSION OF THE INFORMATION DOES NOT CONVEY ANY RIGHT TO LOAN, SELL OR DISCLOSE THE INFORMATION. UNAUTHORIZED REPRODUCTION OR USE OF THE INFORMATION IS PROHIBITED. THIS DOCUMENT IS TO BE RETURNED TO GARDNER DENVER, INC. UPON THE COMPLETION OF THE PURPOSE FOR WHICH IT IS LOANED OR UPON REQUEST.			
UNLESS OTHERWISE SPECIFIED DIMENSIONS ARE IN INCHES		DIMENSIONING AND TOLERANCING PER ASME Y14.5-2009 THREADS PER ASME B1.1 GAGING SYSTEM 21 U.O.S., ANSI B1.20.1 & B1.20.3			
TOL. ON DECIMALS: .X = ± .05 TOL. ON DECIMALS: .XX = ± .02 TOL. ON DECIMALS: .XXX = ± AS SPECIFIED TOL. ON ANGLES: ± 0°-30'		HEAT TREATMENT		ENG. REF:	
THIRD ANGLE PROJECTION		TITLE OUTLINE-BARE UNIT BR3, BR5, BR7F			
DWN BY KWT 11/22/2010 CKD BY DA 11/22/2010		SIZE D	ENG. APPROVAL DA	DWG. NO. 302CAB800	REV C
SCALE 1/5		SHEET 1 OF 1			