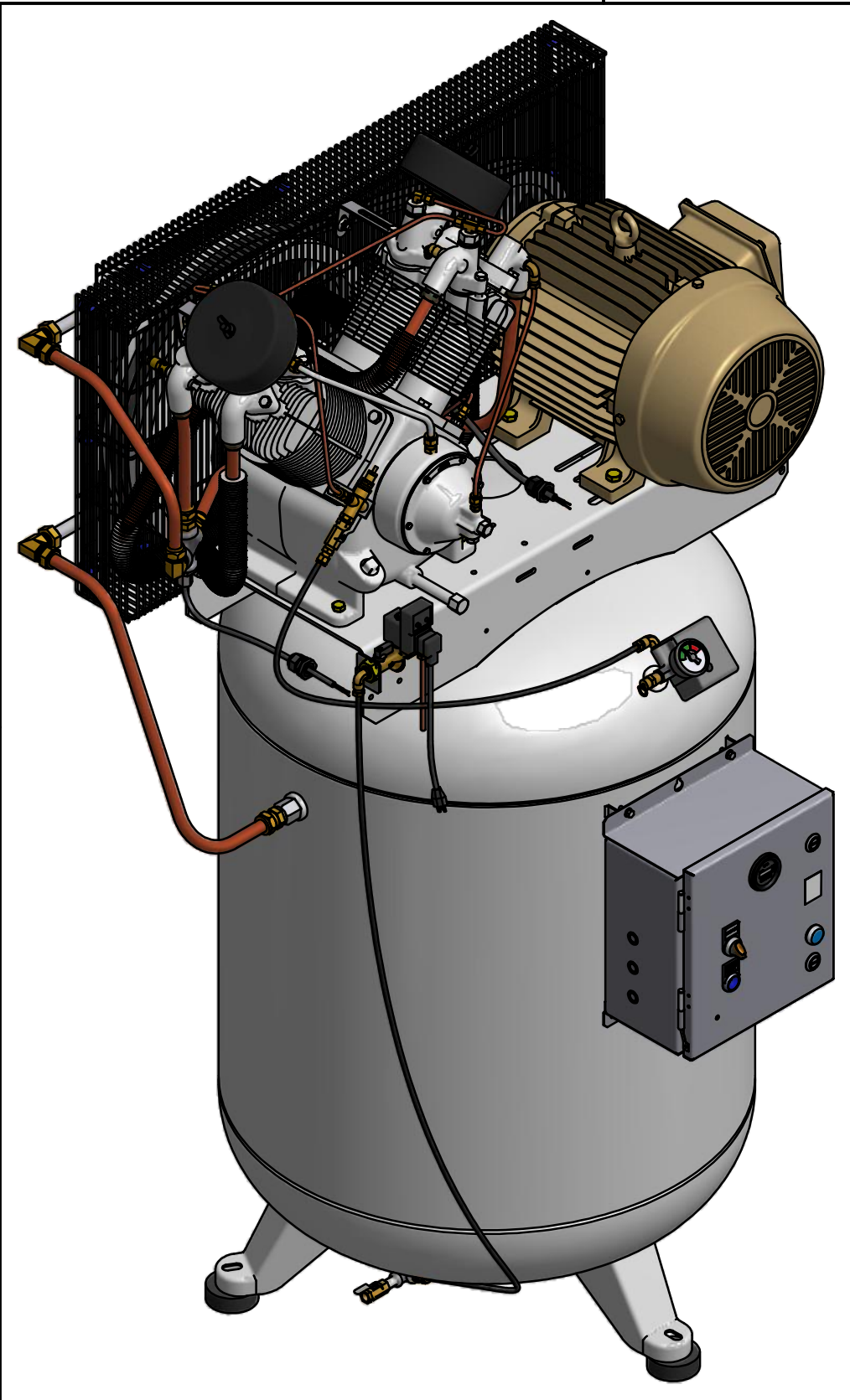
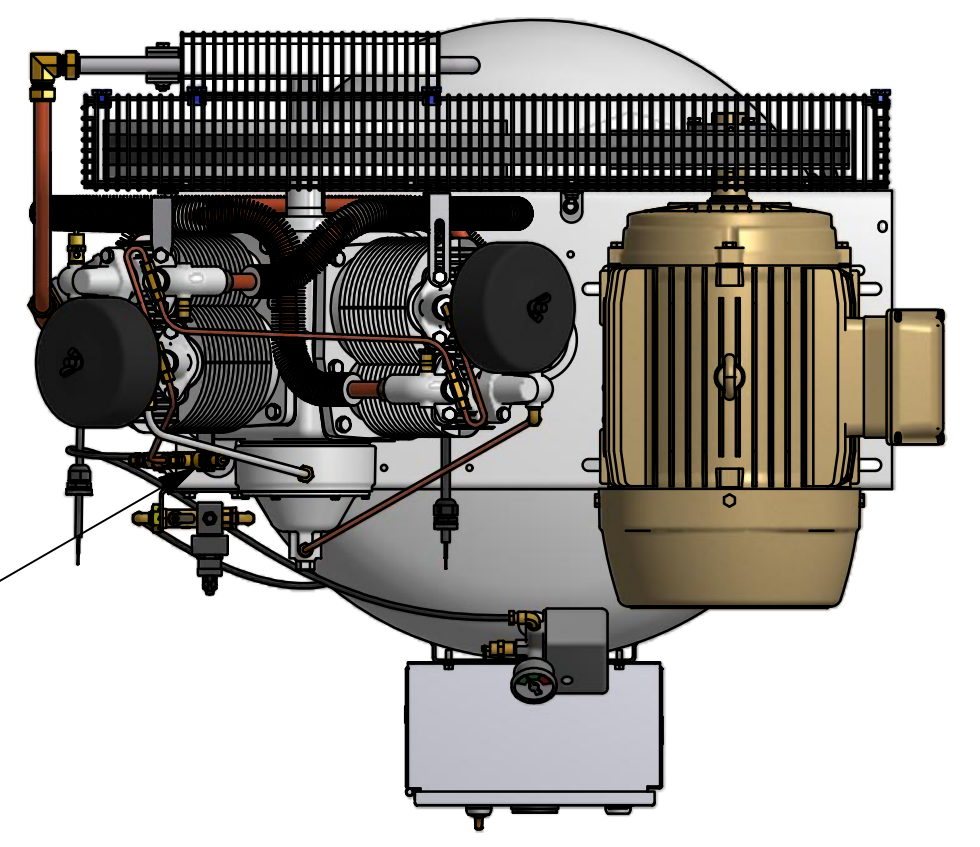


REVISION HISTORY						
ZONE	REV	DESCRIPTION	ECN #	DATE	DWN	CHK
	00	INITIAL RELEASE	1110333			



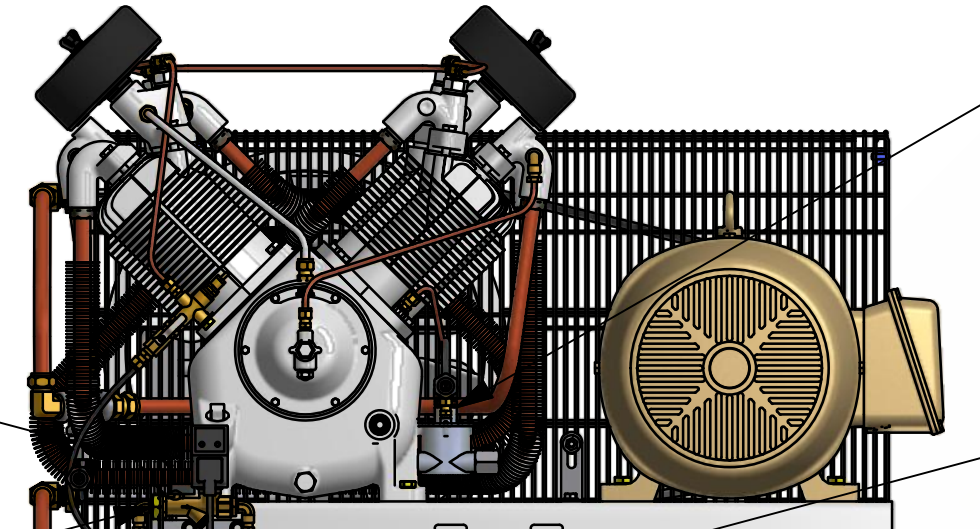
DUAL CONTROL PILOT VALVE WITH HEAD UNLOADERS (OPTIONAL)



LOW OIL STOP CONTROL (OPTIONAL)

COMPRESSOR: R30  
MOTOR : 7.5HP (VR7-12)  
10HP (VR10-12)  
15HP (VR15F-12)

HIGH TEMPERATURE SWITCH (OPTIONAL)  
ELECTRIC TANK DRAIN (OPTIONAL)

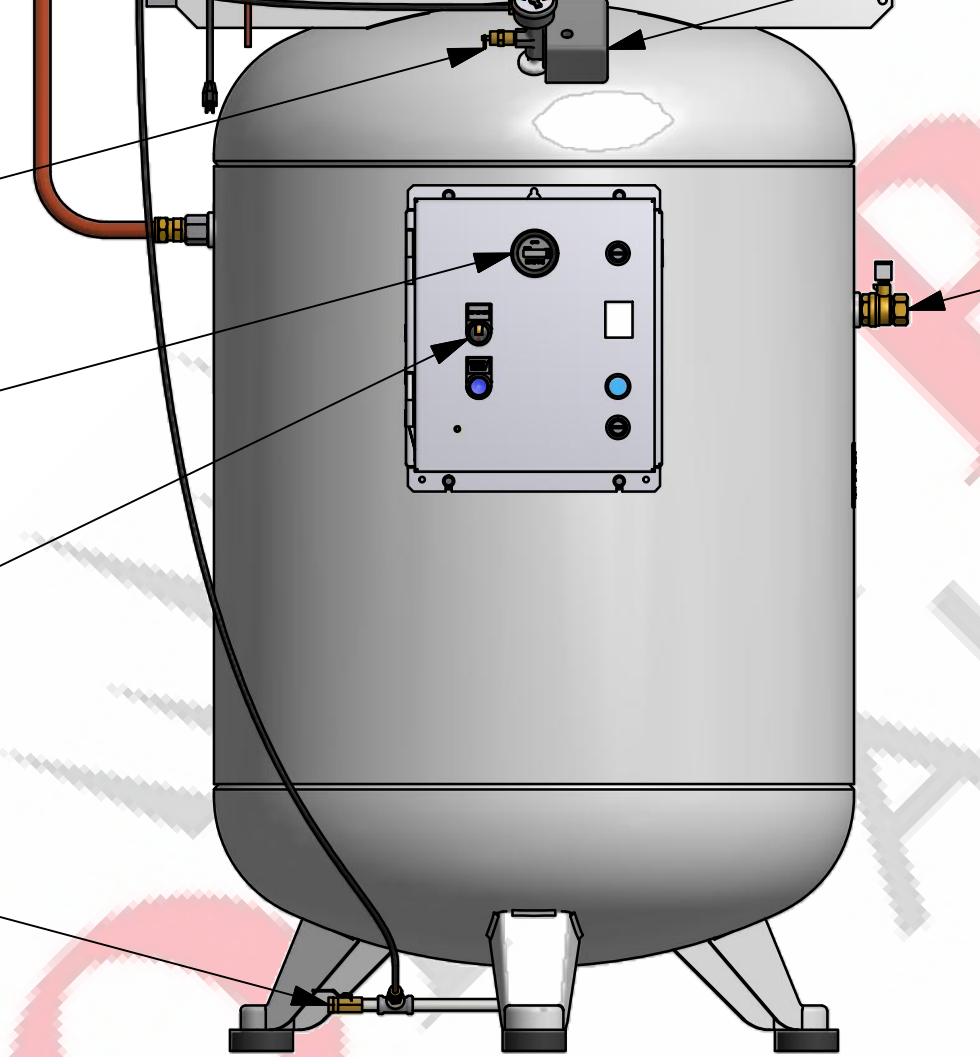


PRESSURE GAUGE  
PRESSURE SWITCH

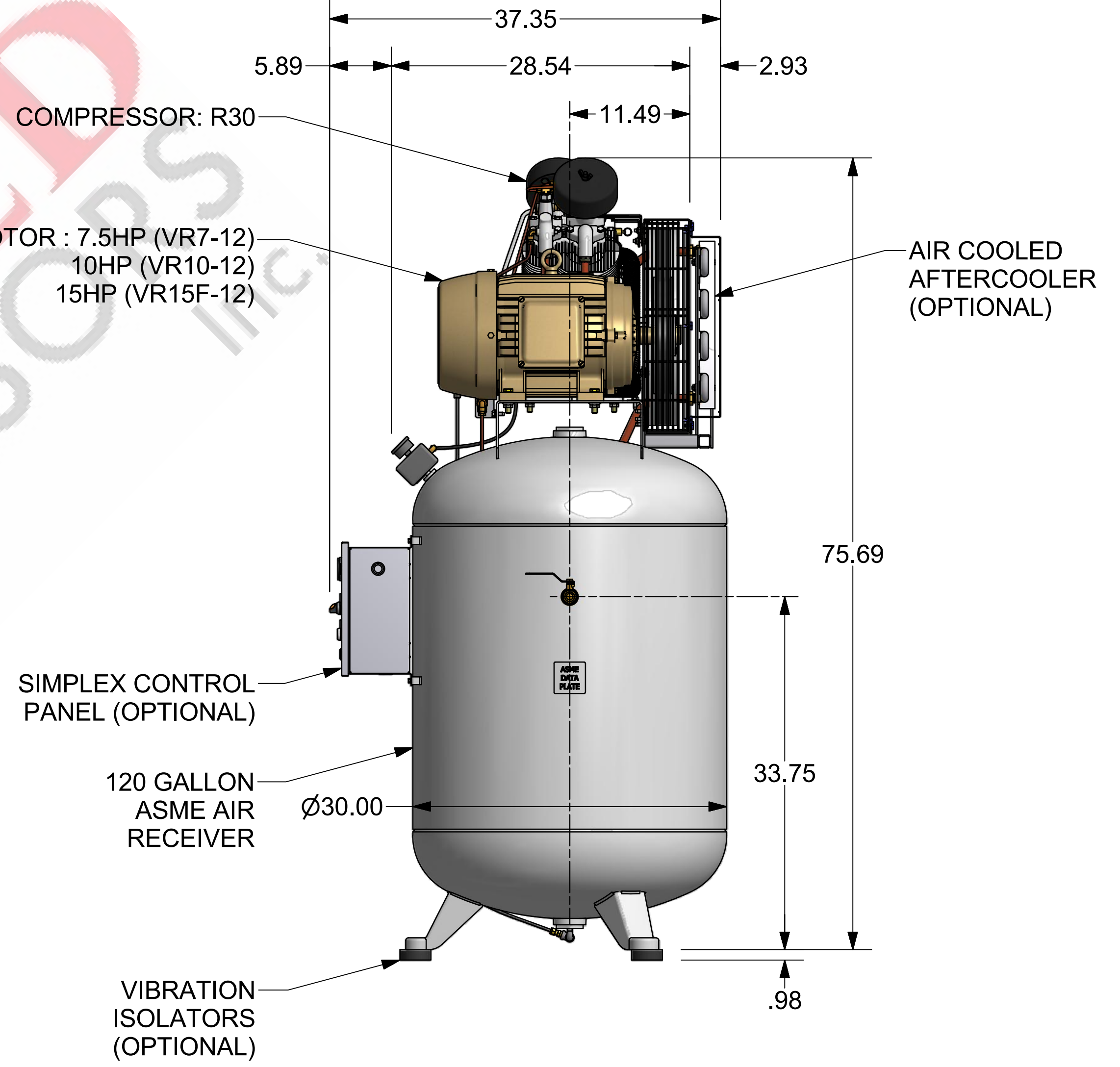
ASME PRESSURE RELIEF VALVE

3/4" NPT VALVE

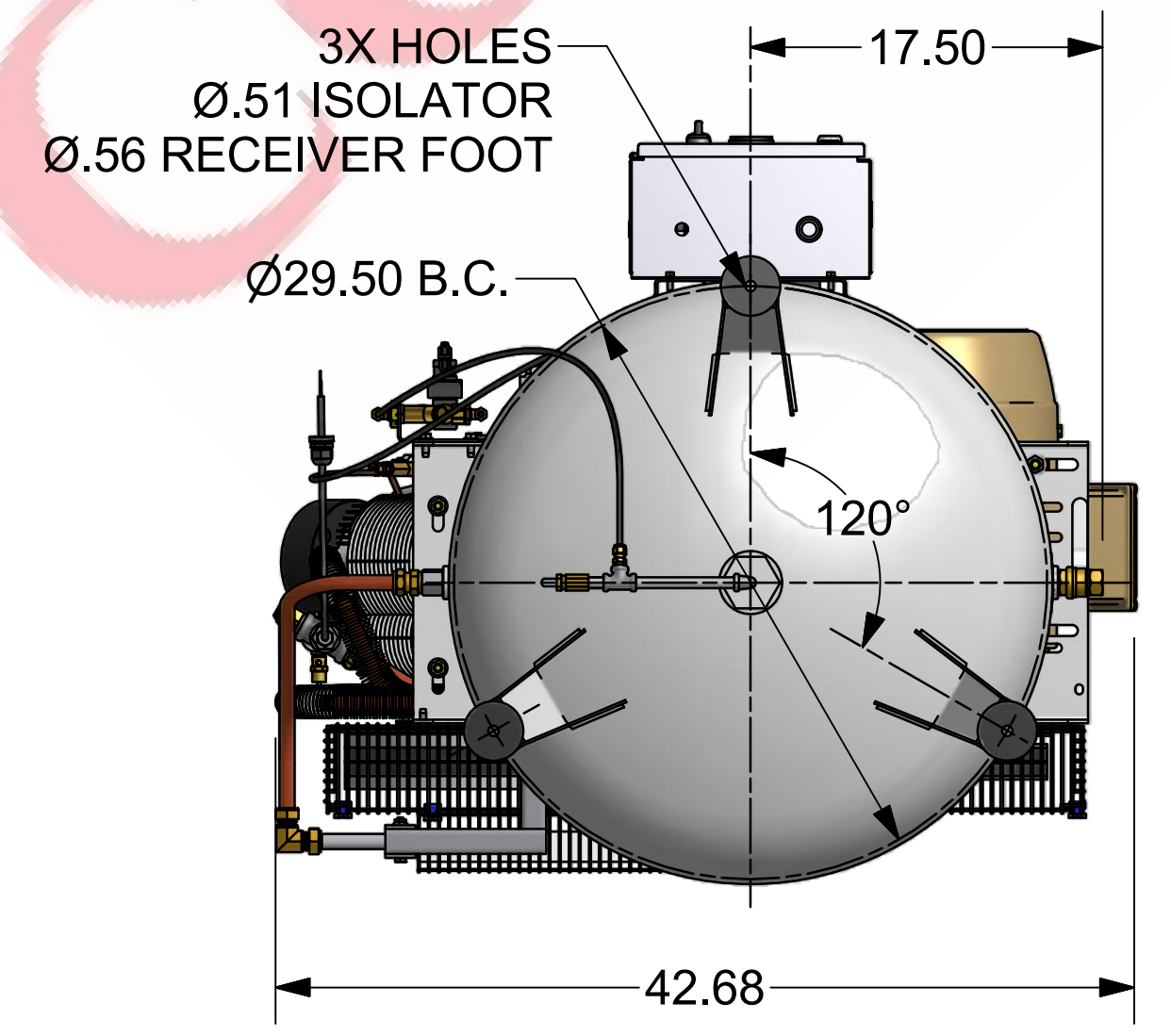
HOUR METER (OPTIONAL)  
TEST-OFF-AUTO SWITCH (OPTIONAL)



1/4" NPT MANUAL TANK DRAIN



- NOTES:  
1. DO NOT SCALE DRAWING.  
2. SPECIFICATIONS AND DIMENSIONS ARE SUBJECT TO CHANGE WITHOUT NOTICE OR OBLIGATION.  
3. ALL DIMENSIONS ARE IN INCHES.



**COMPRESSED**  
AIR ADVISORS  
Inc.  
Compressed Air Advisors, Inc.  
Phone: 877.247.2381  
info@compressedairadvisors.com  
www.compressedairadvisors.com

FINISH OF CHAMFERS AND FILLETS TO CONFORM TO ROUGHEST ADJACENT AREA. SURFACE ROUGHNESS MAXIMUM PER ASME B46.1. FULL THREAD DEPTHS ARE MINIMUM.		CONFIDENTIAL - THE INFORMATION CONTAINED IN THIS DOCUMENT IS THE PROPERTY OF GARDNER DENVER, INC. IT IS NOT FOR PUBLIC DISCLOSURE. POSSESSION OF THE INFORMATION DOES NOT CONVEY ANY RIGHT TO LOAN, SELL OR DISCLOSE THE INFORMATION. UNAUTHORIZED REPRODUCTION OR USE OF THE INFORMATION IS PROHIBITED. THIS DOCUMENT IS TO BE RETURNED TO GARDNER DENVER, INC. UPON THE COMPLETION OF THE PURPOSE FOR WHICH IT IS LOANED OR UPON REQUEST.	
UNLESS OTHERWISE SPECIFIED DIMENSIONS ARE IN INCHES		DIMENSIONING AND TOLERANCING PER ASME Y14.5-2009 THREADS PER ASME B1.1 GAGING SYSTEM 21 U.O.S., ANSI B1.20.1 & B1.20.3	
TOL. ON DECIMALS: .X = ± .05 TOL. ON DECIMALS: .XX = ± .02 TOL. ON DECIMALS: .XXX = ± AS SPECIFIED TOL. ON ANGLES: = ± 0'-30'		HEAT TREATMENT	ENG. REF: 329CAS800
THIRD ANGLE PROJECTION		DESCRIPTION: 0800-OUTLINE-BARE UNIT <b>OUTLINE-UNIT, 120GL ELECTRIC</b> VR7-12, VR10-12, VR15F-12	
DRAWN BY: kas1112 CHECKED BY:	9/29/2017	SIZE: D SCALE:	ENGR. APPROVAL: 415CAS800 DWS NO: 415CAS800 REV: 00 SHEET 1 OF 1