

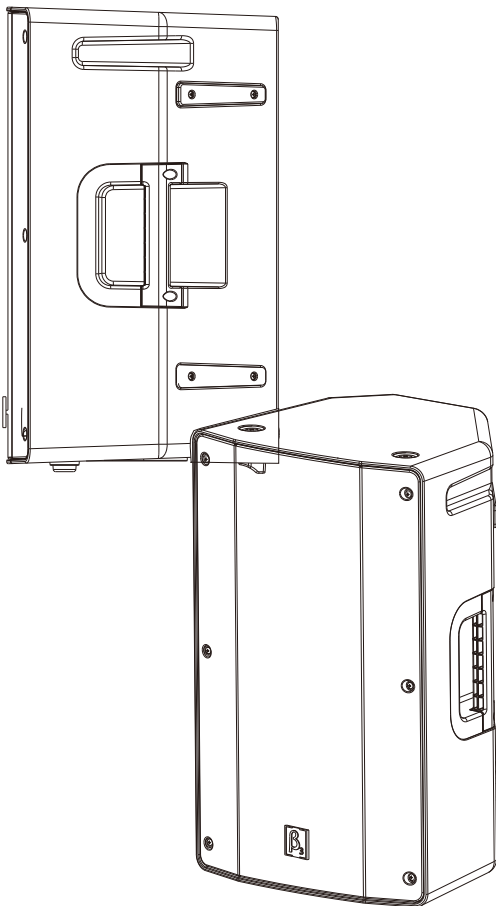


Beta Three

VX10a


10" Two-Way Full-Range Active Speaker System

USER MANUAL







SAFETY INSTRUCTIONS

PLEASE READ THIS MANUAL FIRST

Thank you for buying  product. Read this manual first as it will help you operate the system properly. Please keep this manual for future reference.

⚠ WARNING *This product must be installed by professionals. When using hanging brackets or rigging other than those supplied with the product, please ensure they comply with the local safety codes.*

	CAUTION RISK OF ELECTRICAL SHOCK DO NOT OPEN	
CAUTION: TO REDUCE THE RISK OF ELECTRIC SHOCK, DO NOT REMOVE COVER (OR BACK). NO USER-SERVICABLE PARTS INSIDE. REFER SERVICING TO QUALIFIED PERSONNEL.		

	AVIS RISQUE DE CHOC ÉLECTRIQUE NE PAS OUVRIR	
ATTENTION : POUR RÉDUIRE LE RISQUE DE DÉCHARGE ÉLECTRIQUE, NE RETIREZ PAS LE COUVERCLE (OU L'ARRIÈRE). IL NE SE TROUVE À L'INTÉRIEUR AUCUNE PIÈCE POUVANT ÊTRE RÉPARÉE PAR L'USAGER. S'ADRESSER À UN RÉPARATEUR COMPÉTENT.		

 **The exclamation point within an equilateral triangle is intended to alert you to the presence of important operating and servicing instructions.**


⚠ ATTENTION: *Don't refit the system or spare parts without being authorized as this will void the warranty.*

⚠ WARNING: *Don't place naked flames (such as candles) close to the equipment.*

1. Read the instruction manual first before using this product.
2. Please keep this manual for future reference
3. Pay attention to all warnings.
4. Obey all operating instructions.
5. Do not expose this product to rain or moisture.
6. Clean this equipment with a dry cloth.
7. Do not block any ventilation openings. Install according to manufacturer's instructions .
8. Do not install this product near any heat source, such as, heater, burner, or any other equipment with heat radiation .
9. Only use spare parts supplied by the manufacturer.
10. Pay attention to the safety symbol on the outside of the cover.

CONTENT

Product Introduction	3
Main Features	3
Product Description	3
Application	3
Amplifier Module	4
Amplifier Module Functions	4
Installation	5
Installation Accessories	5
Installation References	5
Technical specifications	6
Specification Table	6
Frequency Response	6
2D Dimension Drawing	7

 Product information subjects to be updated without notification,
Please visit www.beta3pro.com for latest update.

VX10a

10" Two-Way Full-Range Active Speaker System

Main Features:

- 1" compression driver with Titanium diaphragm
- 10" LF woofer
- High strength polypropylene injection molding enclosure
- Dispersion: 90° x 60°
- Frequency response: 70Hz-16kHz (-10dB)
- Max SPL: 114dB/120dB (PEAK)
- 3 x M8 rigging points



Product description:

The VX series of multifunctional speaker system is designed for various applications requiring sound solutions of high durability and portability. The cabinet is made of engineering plastics, with a special medium that is specially added to improve sound quality. Equipped with excellent wear-resistance, along with outstanding sound quality performance, the VX series is widely used in many countries around the world.

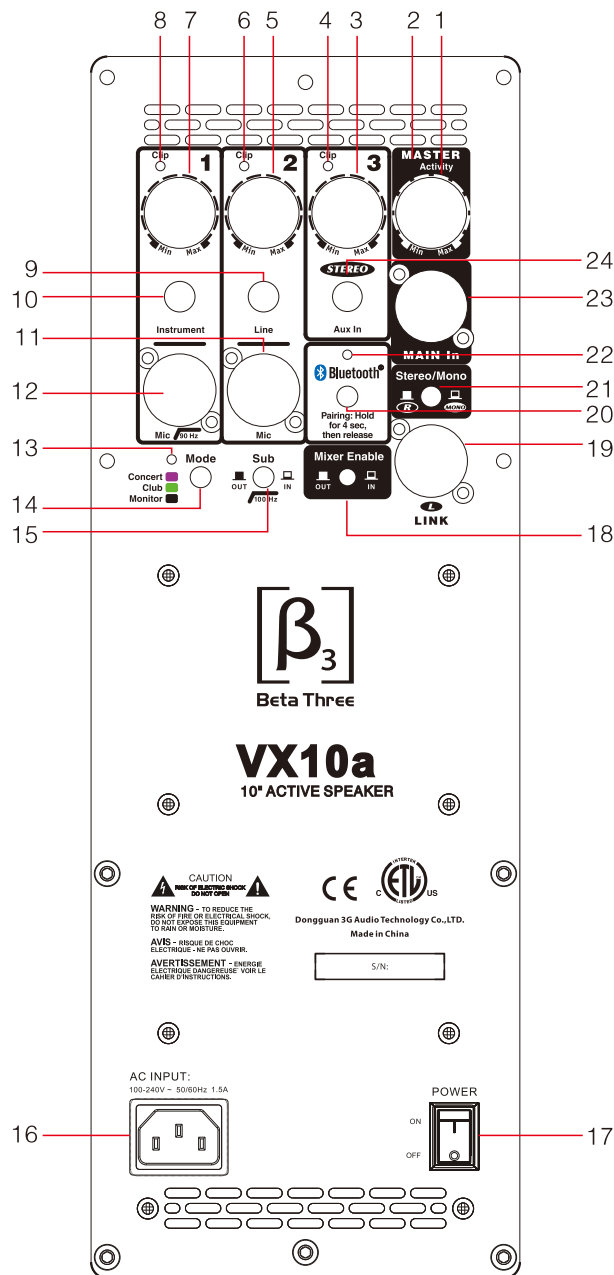
VX10a is a two-way full-range active speaker composed of a 10" LF woofer and a 1" HF compression driver with Titanium diaphragm. Its characteristics include big dynamic, high sensitivity, clear MF and HF with powerful LF.

VX10a adopts the design of combining the horn with the cabinet, with rigging points surrounding the cabinet, and there are mounting holes at the bottom of the cabinet to facilitate the formation of an array. Standard hosting structure and 2-way XLR/TRS input mode ensures ease of use and simple installation.

Application

- Medium-sized Meeting Room
- Multifunctional Hall
- Church
- Auditorium
- Performance Venues

Amplifier Module Functions



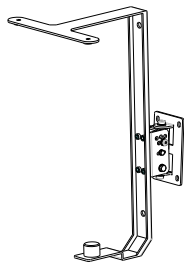
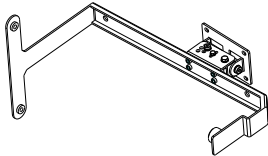
- | | | |
|----------------------------|---------------------------|------------------------------|
| 1. Master Volume | 9. CH 2 Line Input | 17. Power Switch |
| 2. Signal LED Indicator | 10. CH 1 Instrument Input | 18. Mixer Switch |
| 3. CH 3 Volume | 11. CH 2 Mic Input | 19. Left Channel/Line Output |
| 4. CH 3 Peak LED Indicator | 12. CH 1 Mic Input | 20. Bluetooth Switch |
| 5. CH 2 Volume | 13. Mode LED Indicator | 21. Stereo/Mono Mode Switch |
| 6. CH 2 Peak LED Indicator | 14. Mode Switch | 22. Bluetooth LED Indicator |
| 7. CH 1 Volume | 15. Sub Switch | 23. Main Input |
| 8. CH 1 Peak LED Indicator | 16. Power Socket | 24. AUX Input |

Note: Please turn off the power before selecting modes.

Installation Accessories (Optional):

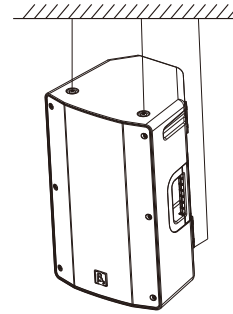
The cabinet is equipped with 3 M8 rigging points for easy and quick mounting and hanging installation.

U-bracket

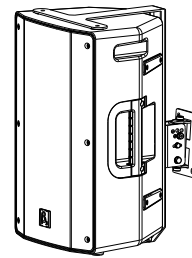


Installation Method:

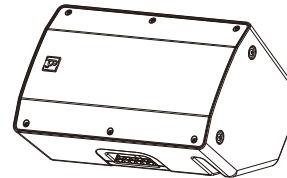
Reference A



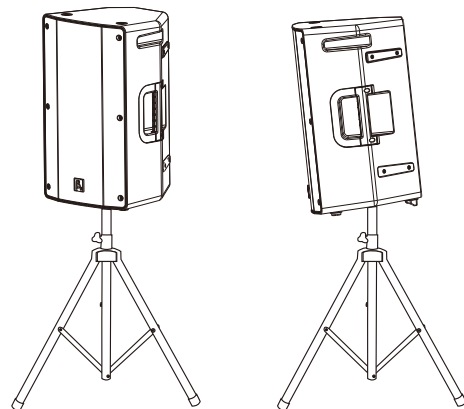
Reference B



Reference C



Reference D

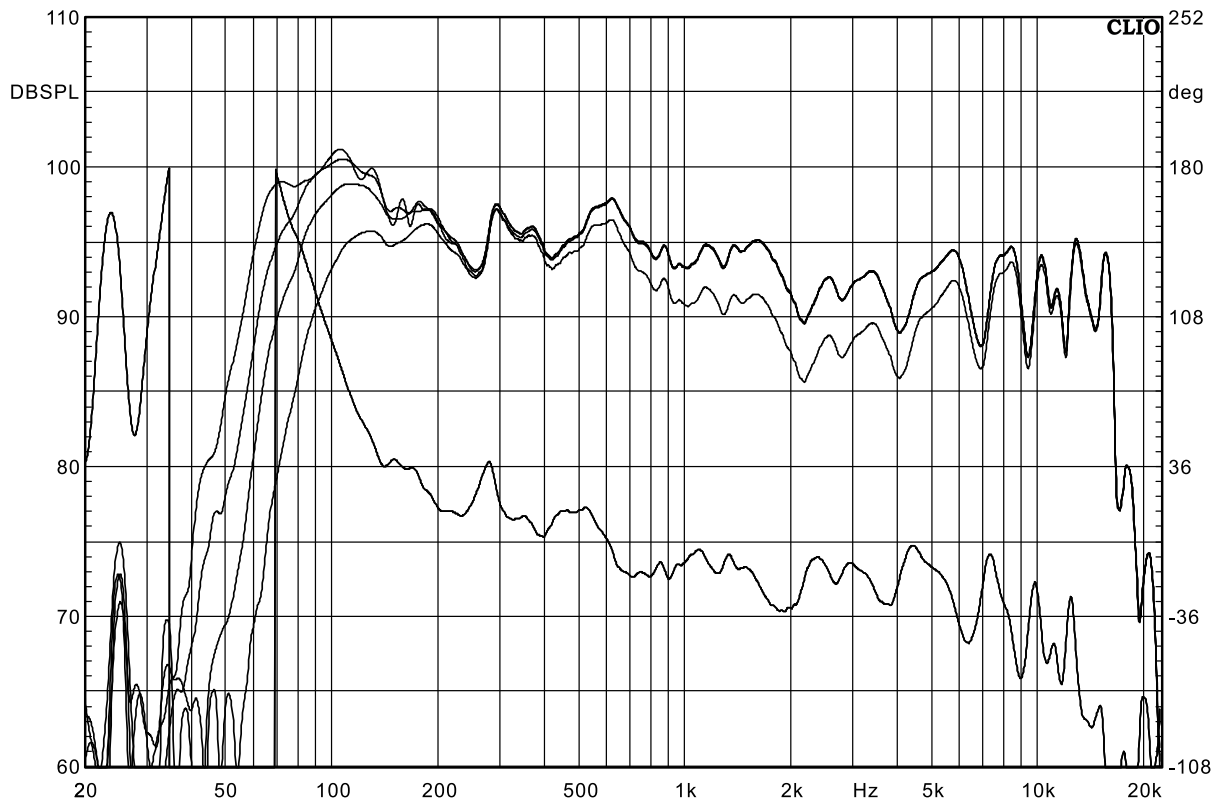


⚠ Warning: All accessories should be with safety factor larger than or equal to 5:1 or refer to local safety standard .

Specification

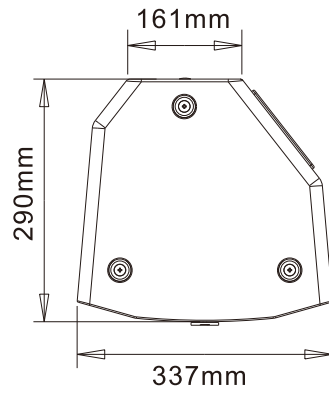
Frequency Response (-10dB): 70Hz-16kHz	Cooling Method: Drive forced-air cooling
Max SPL(1m): 114dB/120dB(Peak)	Power Cord: PowerCon, 3-pin plug
Dispersion(H×V): 90°× 60°	Safe Voltage Range: 100-240V~50/60Hz
Driver Configuration: 1×10" LF Woofer	Power Consumption (Static): 19W
1×1 " HF Compression Driver	Installation/Rigging: 3 x M8 Rigging Point
Impedance 8 Ohms	Transportation: 2 x Plastic Handles
Power: LF 200W, HF 13W	Finish: Black Texture
Connector: XLR INPUT/XLR OUTPUT	Cabinet Dimension 337×290×528mm (W×D×H): (13.3×11.4×20.8in)
Input Type: 2MIC INPUTS,INSTRUMENT IN, LINE IN,3.5MM AUX IN, BLUETOOTH	Packing Dimensions 400×350×585mm (W×D×H): (15.7×13.8×23.0in)
nput Impedance (Line): 20kΩ balance input, 10kΩ unbalanced input	Net weight: 12.6kg(27.7 lbs)
Input Impedance (Mic): 1.8kΩ balance input, 900Ω unbalance input	Gross weight: 15.5kg(34.1 lbs)
Input Overload Source EMF: Maximum input level 8V	

Frequency Response and Impedance Curve

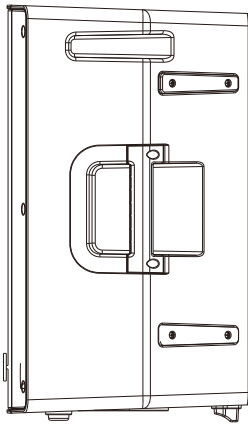


2D Dimension

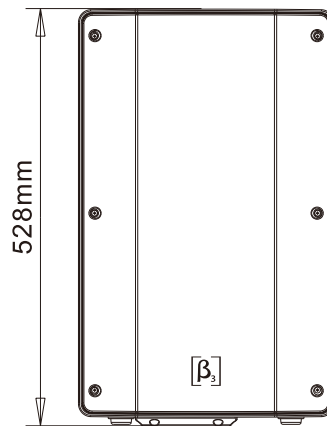
Top View



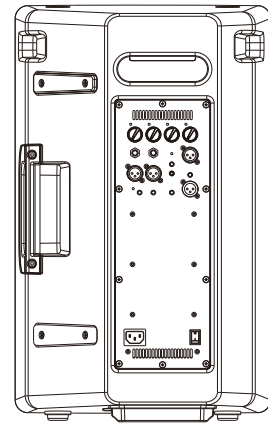
Side View



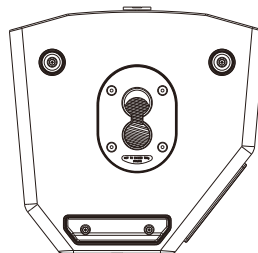
Front View



Rear View



Bottom View



Notes:



Beta Three