



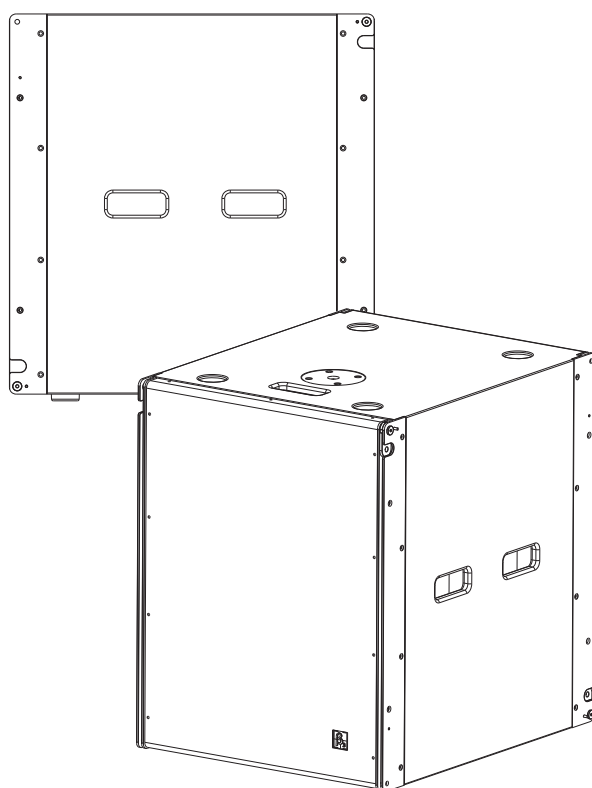
Beta Three

VR118SUBa

18" Active Subwoofer Speaker System

VEYRON
PROPERFORM LINE ARRAY SYSTEM Series Professional Speaker System

Users Manual





UM-VR118SUBa-20180816 Ver A



SAFETY INSTRUCTIONS

PLEASE READ THIS MANUAL FIRST

Thank you for buying β_3 product. Read this manual first as it will help you operate the system properly. Please keep this manual for future reference.

⚠ WARNING: *This product must be installed by professionals. When using hanging brackets or rigging other than those supplied with the product, please ensure they comply with the local safety codes.*

	CAUTION RISK OF ELECTRICAL SHOCK DO NOT OPEN	
CAUTION: TO REDUCE THE RISK OF ELECTRIC SHOCK, DO NOT REMOVE COVER (OR BACK). NO USER-SERVICABLE PARTS INSIDE. REFER SERVICING TO QUALIFIED PERSONNEL.		

	AVIS RISQUE DE CHOC ÉLECTRIQUE NE PAS OUVRIR	
ATTENTION : POUR RÉDUIRE LE RISQUE DE DÉCHARGE ÉLECTRIQUE, NE RETIREZ PAS LE COUVERCLE (OU L'ARRIÈRE). IL NE SE TROUVE À L'INTÉRIEUR AUCUNE PIÈCE POUVANT ÊTRE RÉPARÉE PAR L'USAGER. S'ADRESSER À UN RÉPARATEUR COMPÉTENT.		

 **The exclamation point within an equilateral triangle is intended to alert you to the presence of important operating and servicing instructions.**

⚠ ATTENTION: *Don't refit the system or spare parts without being authorized as this will void the warranty.*


⚠ WARNING: *Don't place naked flames (such as candles) close to the equipment.*

1. Read the instruction manual first before using this product.
2. Please keep this manual for future reference
3. Pay attention to all warnings.
4. Obey all operating instructions.
5. Do not expose this product to rain or moisture.
6. Clean this equipment with a dry cloth.
7. Do not block any ventilation openings. Install according to manufacturer's instructions .
8. Do not install this product near any heat source, such as a, heater, burner, or any other equipment with heat radiation .
9. Only use spare parts supplied by the manufacturer.
10. Pay attention to the safety symbol on the outside of the cover.



CONTENT

Product Introduction	3
Features	3
Description	3
Applications	3
Amplifier Module	4
Introduction of Amplifier Module	4
INSTALLATION	5
Installation Accessories	5
Installation Reference	5
TECHNICAL SPECIFICATION	6
Technical Sheet	6
Frequency Response	6
2D Dimension	7

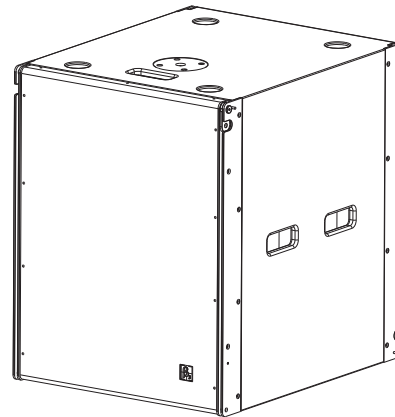
 Product information subjects to be updated without notification,
Please visit www.beta3pro.com for latest update.

VR118 SUBa

Single 18" Active Subwoofer Speaker System

Features:

- Single 18 inch low frequency inverted active low frequency speaker.
- Built-in high power amplifier module with DSP controller.
- 2-way input and 2-way output socket ,with independent volume adjustment function .
- The speaker adopts the built-in low frequency electronic frequency divider design to make the sound quality more natural, delicate and pleasant.
- The surface treatment of grill is made of powder spraying technology. In the case of nondestructive, it can be used for up to 5 years without rust. Waterproof filters are added inside the grill to prevent external rainwater from entering the woofer surface.
- The paint and advanced painting technology used on the surface of cabinet makes the anti-damage capability of the surface three times higher than that ordinary process and paint.
- VR118SUBa Acoustics Characteristics: clean, strong and flexible.



Product description:

β 3 VR118SUBa Speaker is one of the VEYRON series speaker with a new shape structure and a new surface painting process to form a low frequency speaker. It consists of a low-frequency unit and a amplifier module. The bass unit uses the 100mm diameter high power voice coil, the voice coil uses the round copper wire, and outer wrapping method,the voice coil skeleton uses the very high strength AL material, not only strengthens the sound coil strength, but also increases the voice coil power bearing ability.

When installed on this speaker, the rated power can reach 450W. The design of the symmetrical magnetic circuit reduces the odd harmonic distortion of the low frequency , which fully meets the human demands for the low frequency sound quality. VR118 SUBa is made of 18mm thick laminate, its special wooden wedge box structure, the whole speaker does not use a nail. Surface polyurethane paint has a strong resistance to wear. The tensile strength of the cabinet itself can reach 4500N.The speaker cabinet has a special bracket that can be used in conjunction with VR110. The speaker grill is made of Q235, the surface is sprayed with powder, which not only has a high strength, but also has a good resistance

to salt spray. The inner part of the iron network is covered with cotton, which can prevent the external rain water from entering directly, and play a waterproof role.

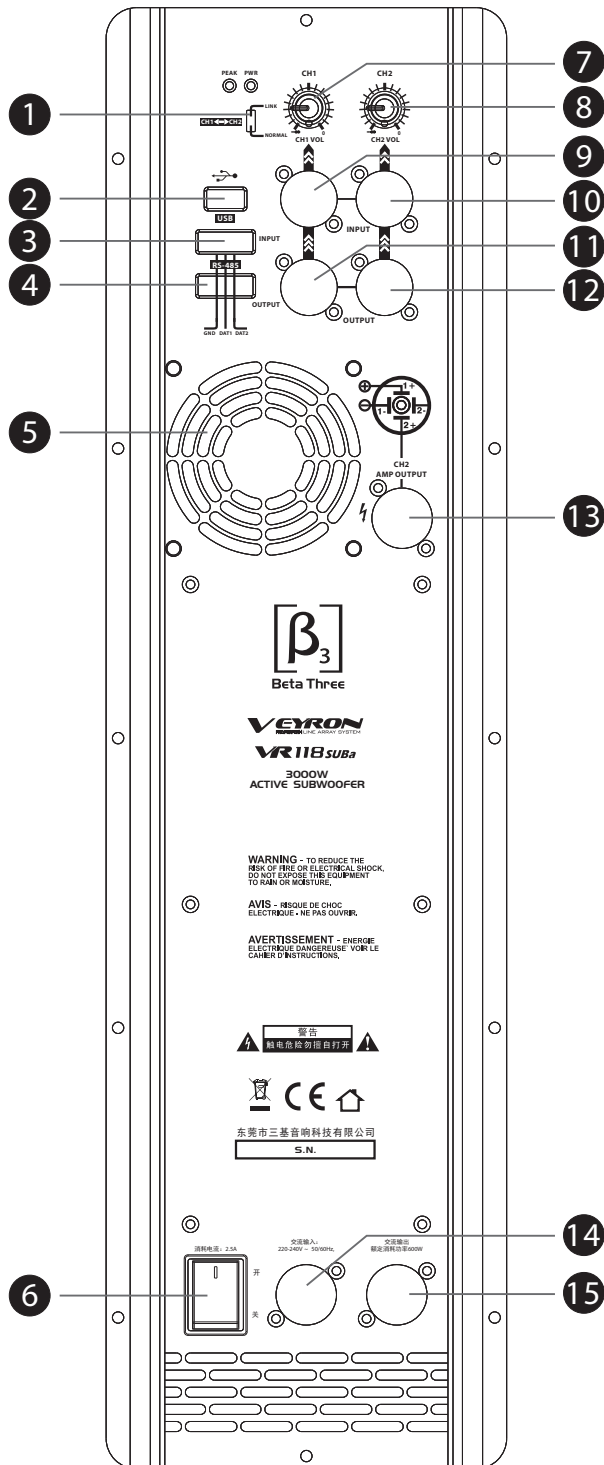
The VR118SUBa speaker system is designed to be maintained. To reduce interference and improve sound quality.

VR118SUBa speaker with VEYRON series full-range speakers are mainly used in meeting rooms, multi-function halls, small auditoriums, religious clubs, mobile performances and other venues. Especially for the performance of human voice: clear, full, but powerful ,which is the sound quality features of VR118SUBa and VERON series.

Applications:

- Meeting Rooms
- Small Auditoriums
- Multifunctional Halls
- Religious Clubs
- Small Performances

Amplifier Module



1. CH1 channel and CH2 channel independent and parallel selector switch
2. USB port
3. RS-485 input port
4. RS-485 output port
5. Fan
6. Power switch
7. CH1 Channel volume control
8. CH2 Channel volume control
9. CH1 channel signal input
10. CH2 channel signal input
11. CH1 Channel signal parallel output
12. CH2 Channel signal parallel output
13. CH2 channel amplifier output
14. AC power input
15. AC power output

INSTALLATION

Installation Accessories(Optional)

VR118SUBa cabinet with bracket, which easy to install with VR series full range speaker.

1、Speaker Bracket (101.06.0036.00090)



2、Mobile Caster (101.06.0036.00208)

Mobile caster: φ100*34mm 2PCS

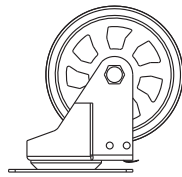
Screw: M8*30 8PCS

Spring washer: φ8(Black) 8PCS

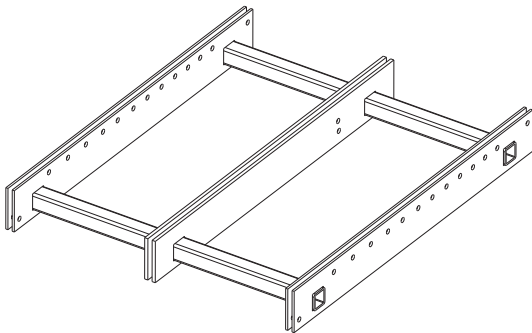
Flat washer: φ8(Black) 8PCS

PE bag: 2PCS

Carton: 1PCS

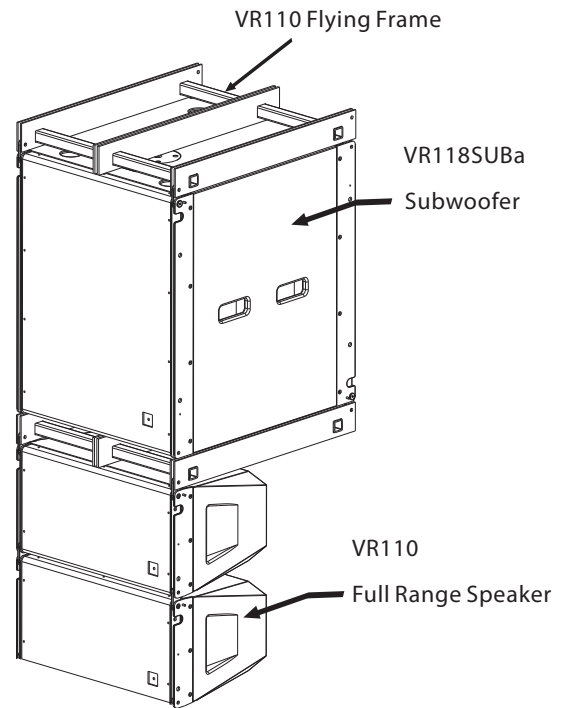


3、Flying Frame

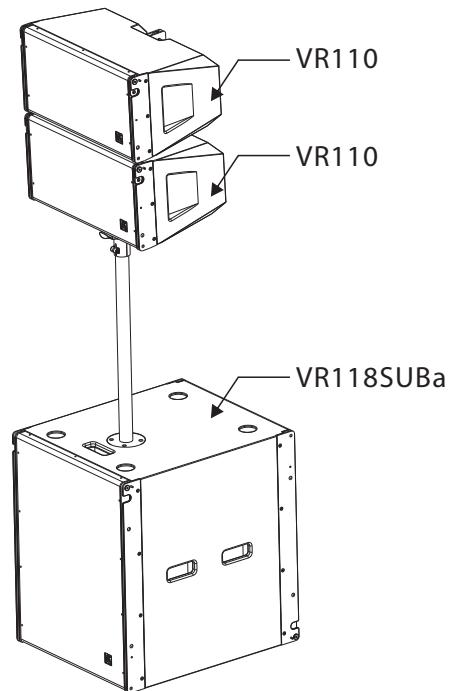


Installation:

1、Hanging



2. Complete Installation



Warning: All accessories should be with safety factor larger than or equal to 5:1 or refer to local safety standard.

Specification

Frequency Response(-3dB): 40Hz-100Hz
Maximum SPL(1m): 123dB/129dB(Peak)
Transducer:: 1*18" LF 4 Ω
Input Type: 2 input,2 output
Connector: Carnon input and signal Carnon output
Input Impedance: 20K Ω balance input,10K Ω unbalance input
Input Source Electromotive Force: 0 dBu(0.755V rms,1.4V peak) line 100Hz
Input Overload source EMF : Maximiam input level+20 dBV (10V rms,4 V peak)
Amplifier Modula Frequency Respond: 40Hz-100Hz
HF Cutting Point : 100Hz
Connection:Pin 1: ground Pin 2:Singal+ Pin3:Sign-
Cooling: Fan+ Heat sinks
Power Cable: GB plug + NAC3FCA (Neutrik) plug
Safe Voltage Range : 220V-240V+/-10% AC
Amplifier Output Power: 1500W x 2
Cabinet: 18mm plywood
Carry: 5 x wooden handle
Finish: Black polyimide spray and grill with black plastic powder coating
Dimension(W×D×H): 540 x 653 x 680mm(21.3x25.7x26.8in)
Packing Dimension(W×D×H): 770 x 625 x 825mm(30.3x24.6x32.5in)
Net weight: 50.0kg(110.0 lb)
Gross weight: 55.0kg(121.0 lb)

Speaker Testing Method

1. Frequency Response

Use pink noise to test the speaker in the anechoic chamber, adjust the level to make the speaker work at its rated impedance and set the output power at 1W, then test the frequency response 1m away from the speaker.

2. Sensitivity

Use full range pink noise which has been modified using an EQ curve to test the speaker in the anechoic chamber, Increasing the signal to make the speaker work at its rated impedance and set the power output at 1W, then test the sensitivity 1m away from the speaker.

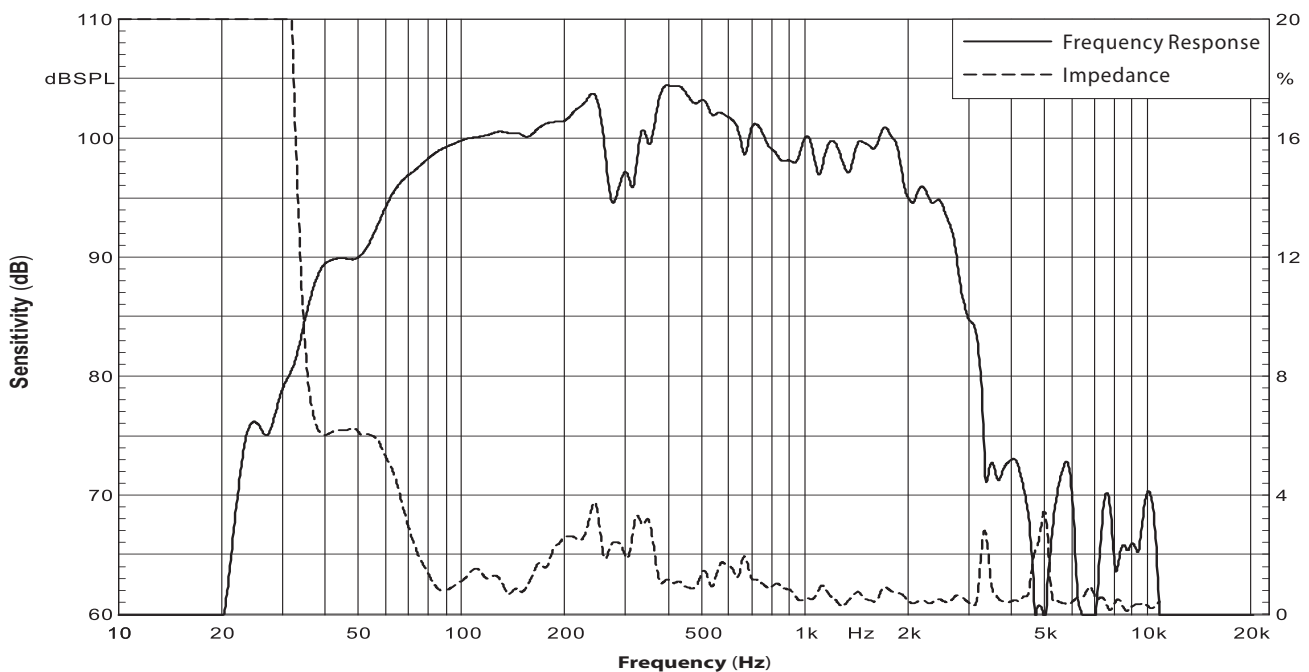
3. MAX.SPL

Use full range pink noise which has been modified using an EQ curve to test the speaker in the anechoic chamber, increase the signal to make the speaker work at its maximum power output level, then test the SPL 1m away from the speaker.

4. Rated Power

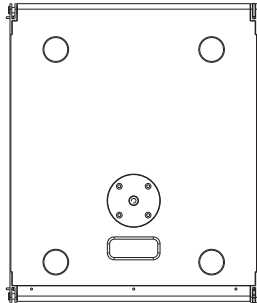
Use pink noise to the IEC#268-5 standard to test the speaker, increase the signal for a continuous period of 100 hours, the rated power is the power when the speaker will show no visible or measurable damage.

Frequency Response and THD

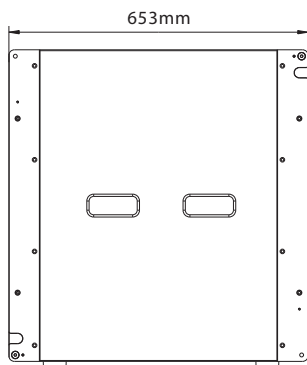


2D Dimension

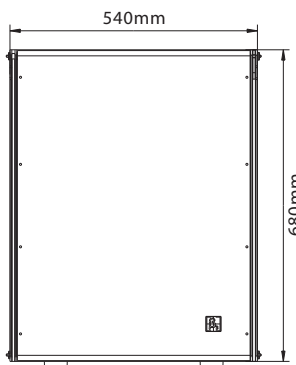
Top View



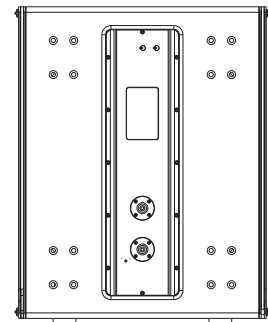
Side View



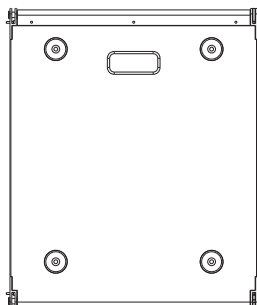
Front View



Back View



Bottom View



Bottom

Notes:



Beta Three