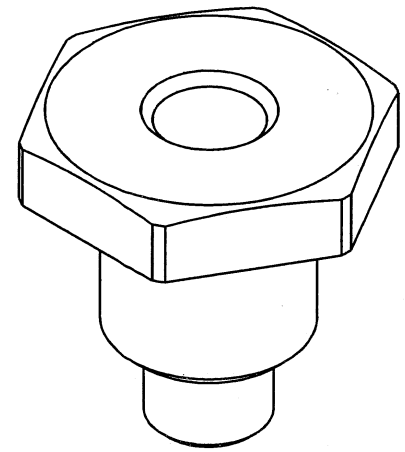
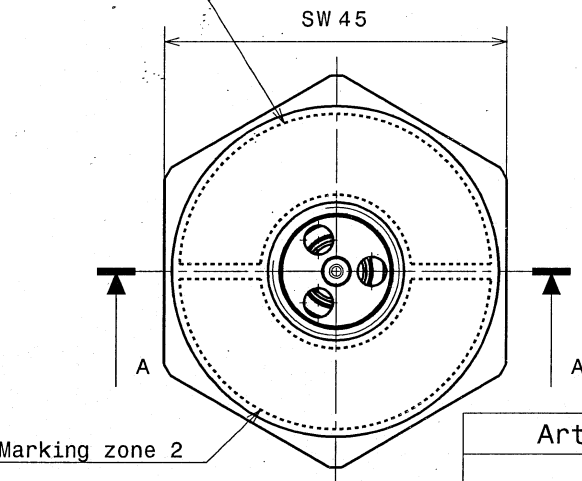
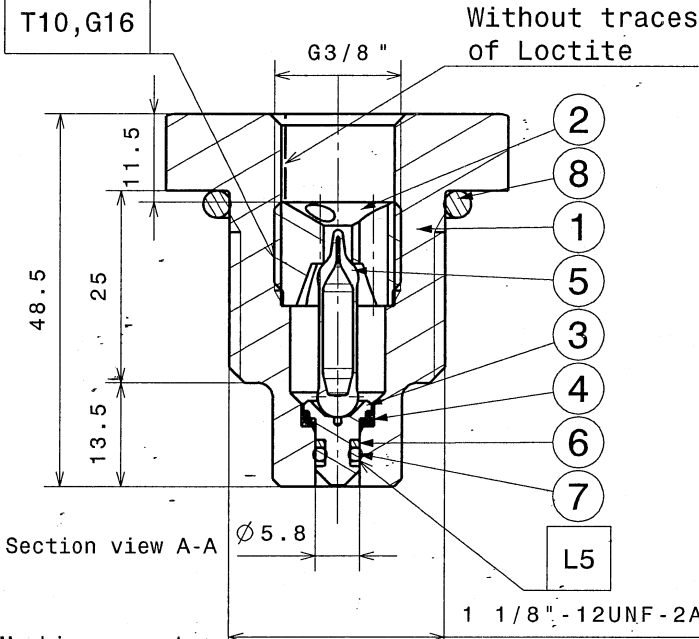


TECHNICAL DATA

ECE R110 Homologation number	E13-110R-000125
ANSI-PRD1b-2007 P36	TÜS 2013-Cert_002-00
Activation temperature	110°C ±10°C
Working pressure	25 MPa
Maximum working pressure	31 MPa (after filling)
Temperature range	-40°C to +85°C
Accepted gas	CNG (Compressed Natural Gas) free of particles bigger than 50 µm
Valve / Cylinder fitting torque	130 Nm ±8 Nm
Connections	
Inlet (cylinder)	1 1/8" -12 UNF-2A
Outlet (service)	G 3/8" EN ISO 228
Main performance characteristics	
External leakage rate at 200 bar	max 1E-3 mbar·l/s






Isometric view



Pos.	Qty	Description	Material
1	1	Machined body	Brass
2	1	Plug	Brass
3	1	Piston	Brass
4	1	Spring	Stainless steel
5	1	Glass-bulb	Glass / Alcohol
6	1	Back-up ring	PA 6.6
7	1	O'ring	NBR
8	1	O'ring	NBR

Article	Marking Zone 1	Marking Zone 2
Y14211005	E13 110R-000125 WP _{max} 31MPa	★ Art. Number ★ 110°C MM/YY ★ Serial number △ C
721-14201-0014 (Y14211013)	TÜ ANSI-PRD1b-2007 S P36	

Ind	Rev.nbr	Description	Rev.by	Date
1x	△ C	Y13/067	Serial number added	D.H. 05/11/13
b		Y12/053	Modification of table of marking + Added bill of materials	D.H. 06/12/12
a		Y12/024	Marking and Technical data added + Scale changed	D.H. 07/06/12

Material:		Title: GLASSBULB PIPE-AWAY SAFETY PLUG ACS - G 3/8" OUT
 ROTAREX AUTOMOTIVE S.A.	Scale: 1:1	Application: Automotive
	Date: 21/01/10	Art: see table
	Name: Feller	3D inspection: no
Ch.by: 	Size: A4	Dwg nbr: 6-5983
	Page 1/1	C

Indications of surface texture: ISO 1302

Dimensions in mm unless otherwise specified
General tolerances: ISO 2768-mH
Edges of undefined shape: ISO 13715

Refer to ISO 16016 for protection notice