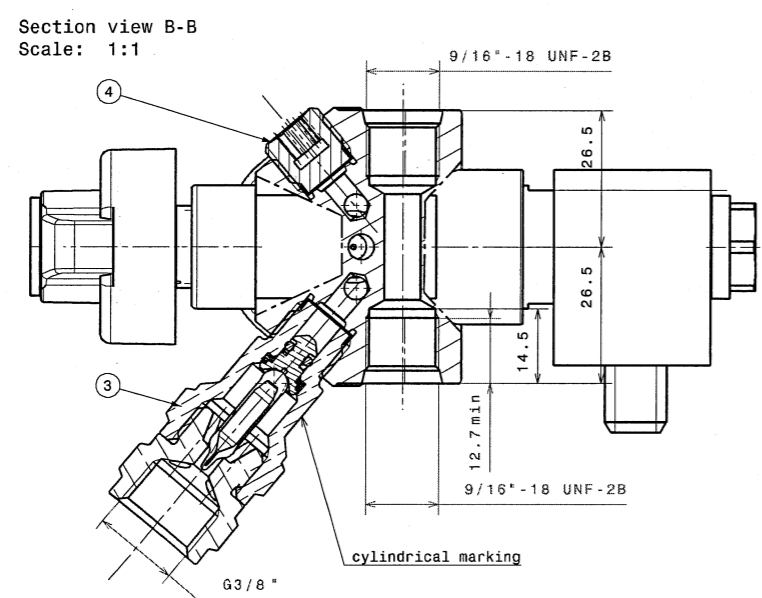
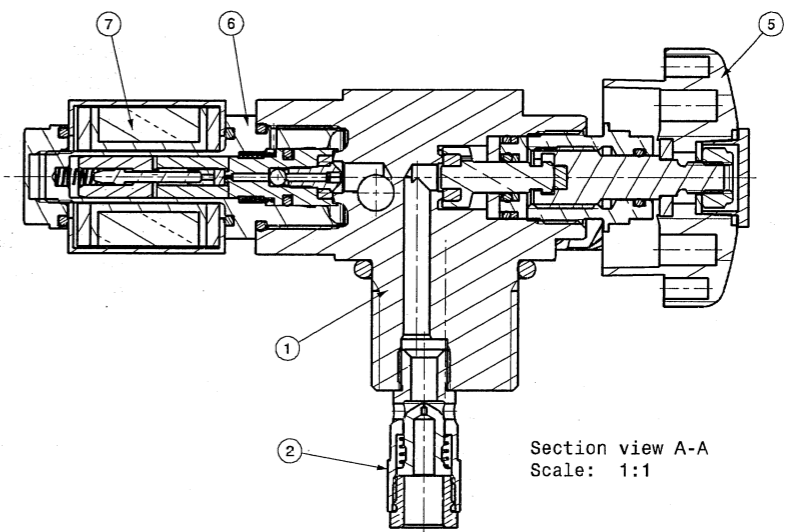
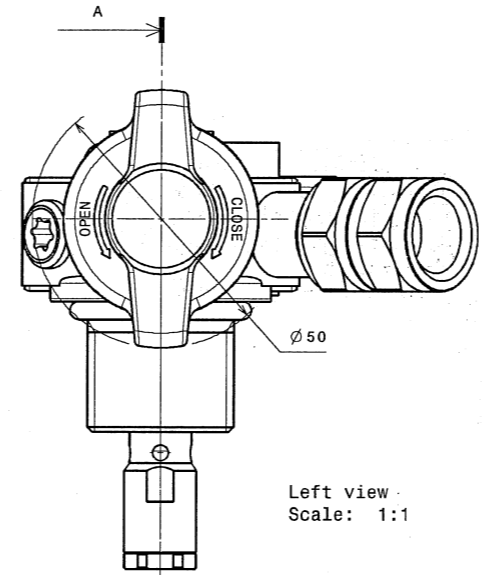
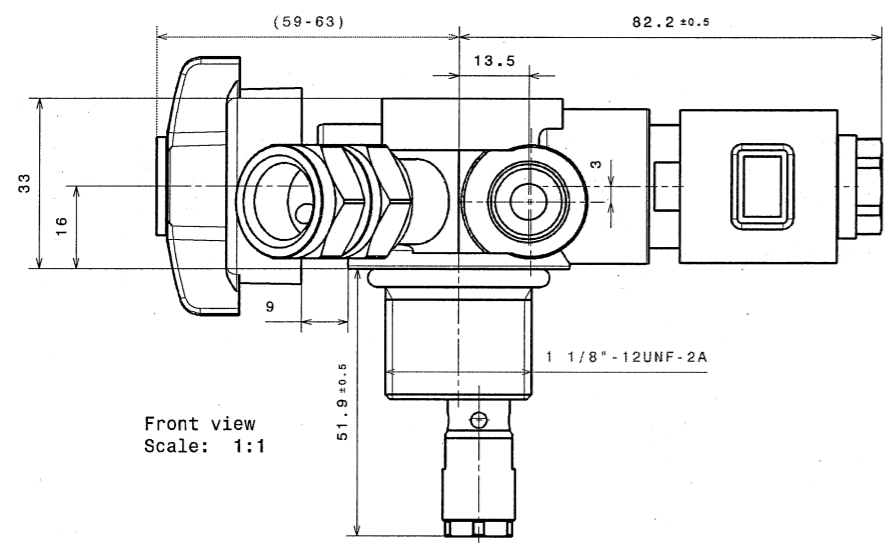
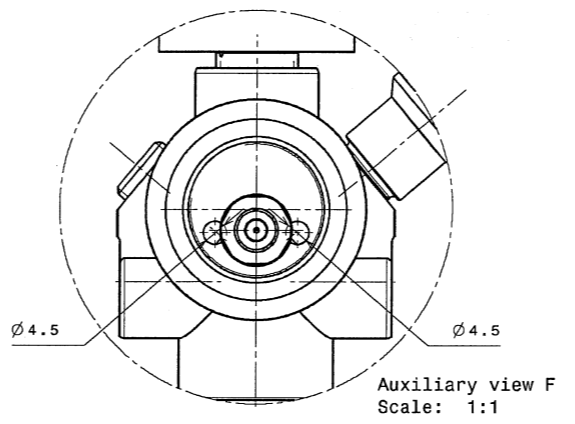


Indications of surface texture: ISO 1302  
 Tolerances of form, orientation and location: ISO 1101 & 8015  
 Classification of dimensions & finishings: critical  $\varnothing$  major  $\Delta$   
 Dimensions in mm unless otherwise specified  
 General tolerances: ISO 2768-mH  
 Edges of undefined shape: ISO 13715  
 Refer to ISO 16016 for protection notice

TECHNICAL DATA	
Service pressure	250 bar
Working pressure	310 bar (after filling) $\Delta$
Temperature range	-40 °C to +85 °C
Accepted gas	CNG (Compressed Natural Gas) free of particles bigger than 50 $\mu$ m
<b>Coil</b>	
Nominal voltage	12 V DC
Power (at 24 V DC)	6 W
Amperage (at 24 V DC)	0.5 A
<b>Pressure Relief Devices</b>	
Glas bulb PRD - activation temperature	110 °C $\pm$ 10 °C
<b>Connections</b>	
Inlet (cylinder)	1 1/8"-12 UNF-2A
Outlet (service)	9/16"-18 UNF-2B
<b>Main performance characteristics</b>	
Flow coefficient during filling	Cv = 0,33
Leakage rate at 200 bar	
- internal	max 1E-3 mbar·l/s
- external	max 1E-3 mbar·l/s
Excess flow device	
- closing pressure	$\Delta p < 6.5$ bar
- residual flow	$< 0,05$ Nm <sup>3</sup> /min ( $\Delta p = 100$ bar)
Manual shut-off operating torque	$\leq 1.7$ Nm
Manual shut-off closing torque	5 Nm $\pm$ 1 Nm

Ind	Rev.nbr	Description	Rev.by	Date
2x $\Delta$	Y12/029	Technical data table added + Marking working pressure added	D.H.	21/06/12



**HANDWHEEL MARKING**

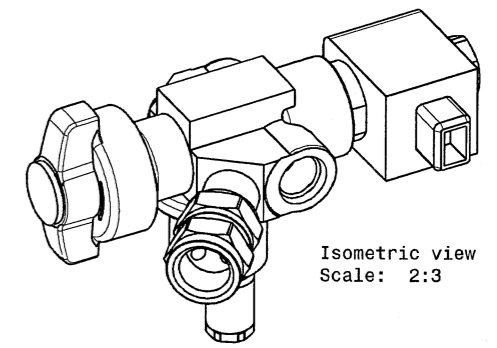
**VALVE MARKING**

**RAW BODY MARKING**

see drawing M1-4226-1

Article number  
Date

Serial number



Item	Quantity	Description	Material
7	1	Coil 12 V DC / AMP Junior connector	Plastic / copper
6	1	Automatic valve	Stainless steel
5	1	Manual valve with handwheel	Brass / plastic
4	1	Plug with nickel gasket	Brass / Nickel
3	1	Pipe-away temperature PRD	Brass / glass bulb with alcohol
2	1	Excess flow device	Brass
1	1	Valve body	Brass

Material: /		Title: C350 CNG Cylinder valve	
Finish: /		Application: AUTOMOTIVE	
Scale: 1:1		Art: C35021028	
Date: 20/01/2012		3D inspection: no	
Name: Hincelin D.		Size: A2	
Ch.by: <i>[Signature]</i>		Dwg nbr: 713-5954	
		Page 1/1	

21-06-12