

Pressure Gauges

For Panel Builders

PBG Series

- Monitor vacuum and positive system pressures up to 15 000 psi, 1000 bar, or 100 000 kPa
- 2 1/2 in. (63 mm) dial size
- Fits industry-standard 2 9/16 in. (65.0 mm) panel hole cutout
- 316 SS wetted components
- Glycerin-filled case
- Socket restrictor included for pulsation control
- Crimped, tamper-resistant ring provides a permanent seal of gauge case to lens



Technical Data

Dial Ranges

Positive-Pressure Gauges

- 0 to 15 psi through 0 to 15 000 psi
- 0 to 1 bar through 0 to 1000 bar
- 0 to 60 kPa through 0 to 100 000 kPa

Compound Gauges

- Vacuum to 0 psi through vacuum to 200 psi
- Vacuum to 0 bar through vacuum to 9 bar
- Vacuum to 0 kPa through vacuum to 2500 kPa

Accuracy

± 2 % / 1 % / 2 % of span in accordance with ASME B40.100, Grade A

End Connections

- 1/4 in. Swagelok tube adapter
- 1/4 in. male NPT

Operating Temperature

Ambient

–4 to 140°F (–20 to 60°C)

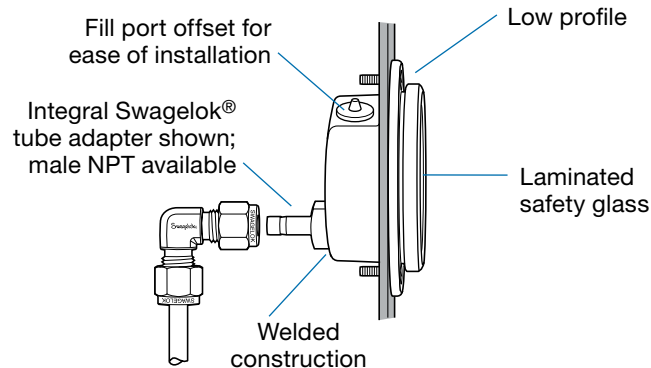
Media

212°F (100°C) maximum

Temperature Error

± 0.4 % for every 18°F (10°C) temperature change from 68°F (20°C)

Panel-Mount Features



Materials of Construction

Component	Material
<i>End connection, Bourdon tube, socket restrictor</i>	316 SS
Case	304 SS
Fill fluid	Glycerin
Movement	Stainless steel
Lens	Laminated safety glass
Lens gasket	Buna N
Dial	Aluminum
Pointer	

Wetted components listed in *italics*.

Dial Range Selection

The selected dial range should be approximately two times the system working pressure, and the system working pressure should be in the middle half (25 to 75 %) of the dial range. Contact your authorized Swagelok sales and service representative if the system working pressure will exceed 75 % of the dial range.

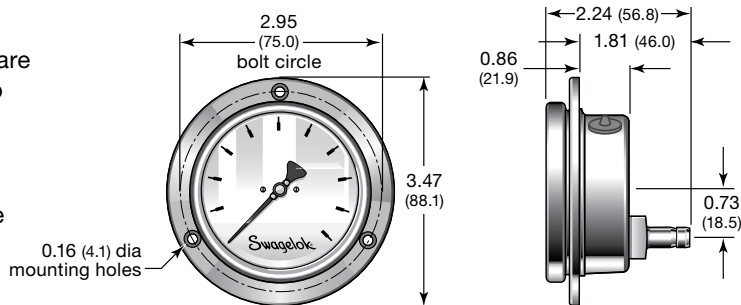
Testing and Calibration

Every Swagelok PBG series pressure gauge is factory calibrated.

Dimensions

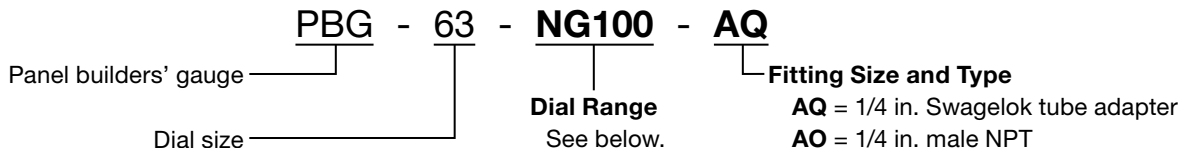
Dimensions, in inches (millimeters), are for reference only and are subject to change.

Swagelok 1/4 in. tube adapter end connection shown; dimensions for 1/4 in. male NPT end connection are identical.



Ordering Information

Build a PBG gauge model ordering number by combining the designators as shown below.



Dial Range, psi		
Minimum	Maximum	Designator
Vacuum -30 in. Hg	0	NC0
	15	NC15
	30	NC30
	60	NC60
	100	NC100
	160	NC160
	200	NC200
0	15	NG15
	30	NG30
	60	NG60
	100	NG100
	160	NG160
	200	NG200
	300	NG300
	400	NG400
	600	NG600
	800	NG800
	1 000	NG1000
	1 500	NG1500
	2 000	NG2000
	3 000	NG3000
	5 000	NG5000
6 000	NG6000	
10 000	NG10K	
15 000	NG15K ^①	

^① Available only with NPT end connections.

Dial Range, bar		
Minimum	Maximum	Designator
Vacuum -1 bar	0	AC0
	0.6	AC.6
	1.5	AC1.5
	3	AC3
	9	AC9
	1	AG1
0	1.6	AG1.6
	2.5	AG2.5
	4	AG4
	6	AG6
	10	AG10
	16	AG16
	25	AG25
	40	AG40
	60	AG60
	100	AG100
	160	AG160
	250	AG250
	400	AG400
	600	AG600
	1000	AG1000 ^①

^① Available only with NPT end connections.

Dial Range, kPa		
Minimum	Maximum	Designator
Vacuum -100 KPa	0	JC0
	60	JC60
	150	JC150
	300	JC300
	500	JC500
	900	JC900
	1 500	JC1500
	2 500	JC2500
0	60	JG60
	100	JG100
	160	JG160
	250	JG250
	400	JG400
	600	JG600
	1 000	JG1000
	1 600	JG1600
	2 500	JG2500
	4 000	JG4000
	6 000	JG6000
	10 000	JG10K
16 000	JG16K	
25 000	JG25K	
40 000	JG40K	
60 000	JG60K	
100 000	JG100K ^①	

^① Available only with NPT end connections.