

Elenco parti			
Pos.	Description	Q.ty	Code
1	Preassembled TPRD_ Lead Free_ (V)	1	696.04.886V
2	Valve body (increased orifice)	1	696.01.843
3	Venting O-Ring 15.6x1.78	1	691.06.121
4	Seeger D24 - SP I 24	1	695.66.002
5	Metallic handwheel	1	693.11.204
6	Seeger UNI 7435 - 8	1	693.06.210
7	OMB LogoType (Adhesive)	1	693.06.216
8	Manual tap group_ (V)	1	693.04.250V
9	Tightness plunger	1	695.04.515

\*\*\* Accessories \*\*\*

20.1	Stem O-Ring (inside a bag)	1	693.88.126V
20.2	Stem protection cap	1	691.06.003
20.3	Instructions	1	88888.252
20.4	Threaded protection caps	4	88888.288

FILL ORIFICE = Ø7mm  
PRD ORIFICE = Ø8mm

**H** Special features: **INCREASED FLOW**  
**T** Safety discharge connection: **DOUBLE PORTS**

**6 9 6 U U L A V A T H**

**6 9 6** Family valve: **BETA NEW**

**U** Container thread: **1"1/8 - 12UNF -2A**

**U** Female tube fittings: **9/16" - 18UNF -2B**

**L** External connection: **SMOOTH**

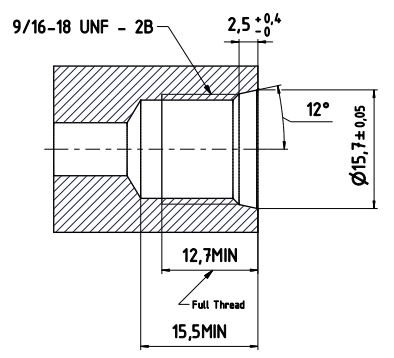
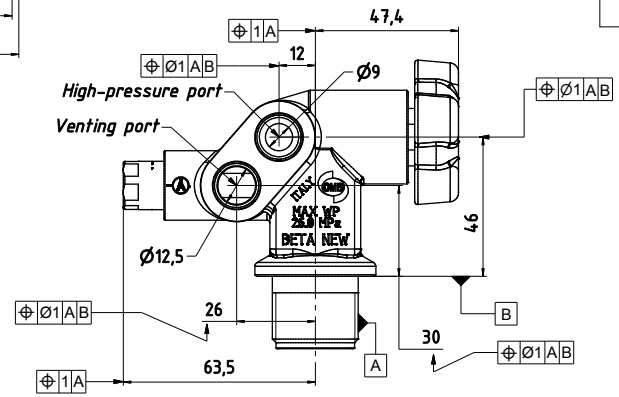
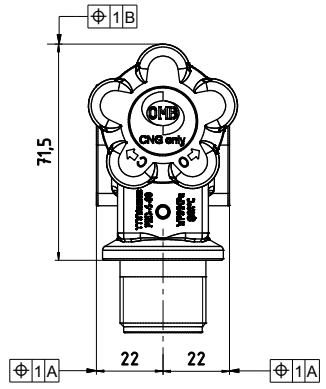
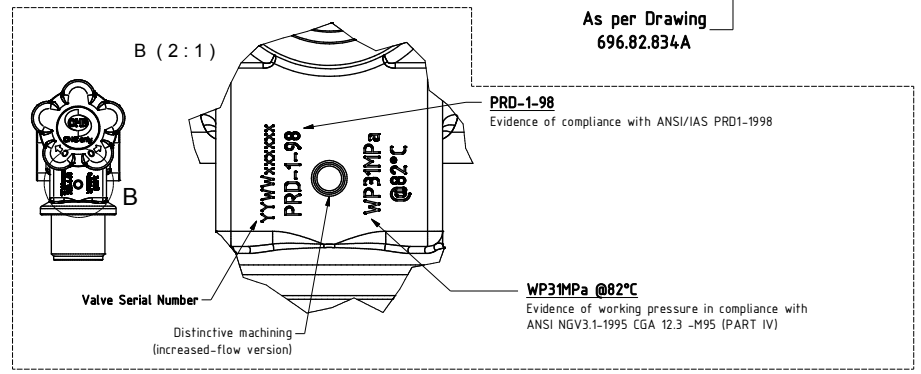
**A** Safety system: **TPRD (108°C±6°C) without EFL**

**V** O-ring type: **GLT-ED**

**A** Inscription week/year - **YES** (Dedicated)  
Packing in single box - **YES**  
Instruction paper - **YES**

As per Drawing  
696.82.834A

Laser Markings detail



**Connections Detail (x4)**  
**9/16"-18 UNF - 2B**  
SAE/J 1926

PER LE QUOTE CRITICHE ED IMPORTANTI SOGGETTE A CONTROLLO PER VARIABILI SI RICHIEDE Cpk ≥ 1.33									
<b>CRITICO</b> NON INTERPRETARE I DISEGNI SE AVETE DUBBI CHIEDETE RIPRODUZIONE E/O DIFFUSIONE VIETATA A TERMINI DI LEGGE		<b>FORMATO FOLIO</b> A2		<b>SCALA</b> 1.5:1		<b>DATA</b> 26/07/2013		<b>FIRMA</b> T.G. L.A.	
<b>IMPORANTE</b> RIPRODUZIONE E/O DIFFUSIONE VIETATA A TERMINI DI LEGGE		<b>DENOMINAZIONE</b> Manual Valve "BETA NEW" - 1"1/8UNF - 9/16"UNF - TPRD - double venting ports - Increased flow _ (V)		<b>GRUPPO</b> CNG_Manual Cylinder Valve "Beta New"		<b>MATERIALE</b>		<b>CODICE DISEGNO</b> 696UULAVATH	
<b>TRATTAMENTO</b>		<b>MASSA</b> 1 kg		<b>TOLLERANZE GENERALI</b> UNI EN 22768 cl. m K CODICE PRIMA DEL TRATTAMENTO		<b>DATA</b>		<b>CONTR.</b>	