



LIFE SUPPORT
INTERNATIONAL



FLO-1057-00

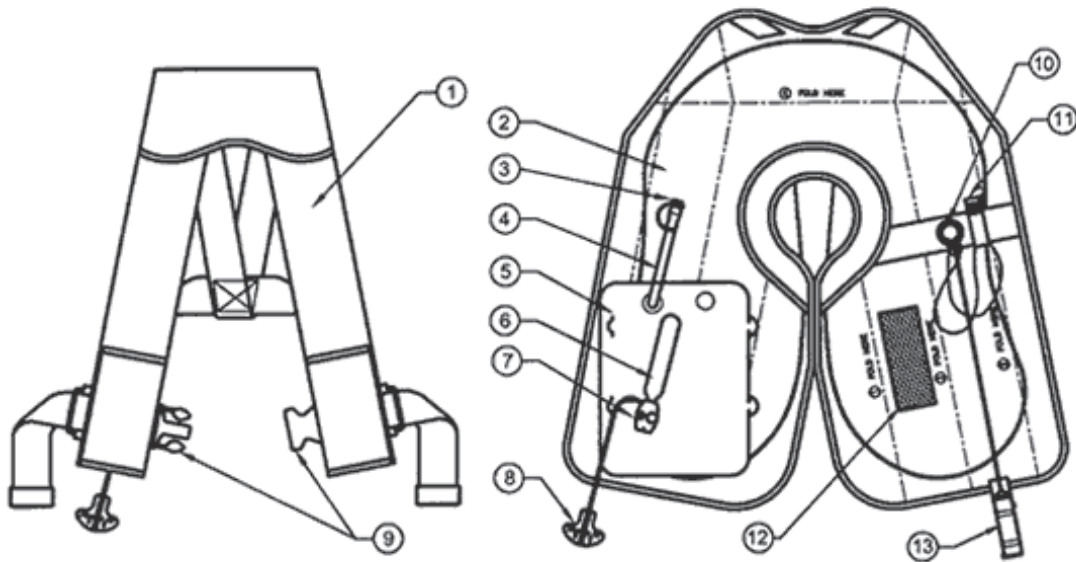
AVIATION LIFE VEST, BRAVO

Whether single- or twin-celled, the vest is designed with an open area collar to be placed over the head and onto the neck and shoulder area so that the vest rests on the chest of the wearer. The vest is secured about the waist using a harness strap. When deflated in its packaging, the vest is compact in size and designed to protect the cell material and hardware components.

SOLUTIONS4SURVIVAL

BRAVO LIFE VEST

- + **Buoyancy:** 36LBS
- + **Inflation:** 33g CO2 Cylinder
- + **FAA Approval:** TSO-C13f
- + **Outer Cover Color:** Blue or Red
- + **Size of Wearer:** Chest Size between 30"-52" (76cm-132cm) ; Over 90LBS
- + **Altitude:** -2000 to 45,000ft Above Sea Level
- + **Humidity:** Up to 95% Relative Humidity
- + **Survivor Locator Light:** Water-Activated FAA TSO-C85 Approved
- + **Operational Temperature Range:** -65 to 120 °F (-54 to 48.9 °C)
- + **Storage Temperature Range:** -65 to 160 °F (-54 to 71.1 °C)
- + **Inspection Frequency:** Every 24 Months



1. Life Preserver Cover
2. Inflatable Cell
3. Oral Tube Dust Cover
4. Oral Tube (Valve in Tip)
5. Inflator Cover
6. CO2 Cylinder
7. Inflator Mechanism

8. Manual Inflation Pull Handle
9. Buckle
10. Light Lamp
11. Whistle
12. Retroreflective Tape
13. Light Battery

Request a quote
sales@lifesupportintl.com



LIFE SUPPORT
INTERNATIONAL

+1 (215) 785-2870
LIFESUPPORTINTL.COM

SOLUTIONS4SURVIVAL