



BIRDCHUTE™

ONE WAY DOOR FOR STARLINGS, SPARROWS & SIMILAR SIZE BIRDS

ITEM # RH-BD667

INSTRUCTION MANUAL

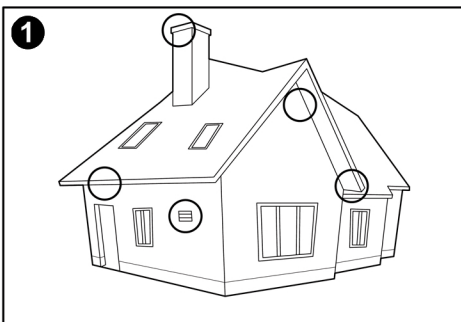


WARNING! IMPROPER INSTALLATION, ADJUSTMENT OR ALTERATION CAN CAUSE PROPERTY DAMAGE, ANIMAL INJURY OR DEATH. READ THE INSTRUCTION MANUAL THOROUGHLY BEFORE INSTALLING THIS PRODUCT.



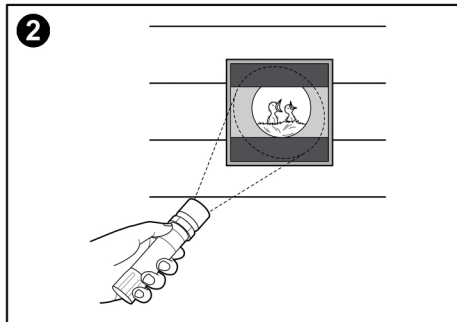
NOTE: DURING BABY SEASON (SPRING & SUMMER), CHECK FOR BABIES FIRST BEFORE INSTALLING THE BIRDCHUTE™ ONE WAY DOOR. IF BABIES ARE PRESENT, EITHER REMOVE THEM PHYSICALLY OR WAIT UNTIL THEY ARE READY TO FLY BEFORE INSTALLING THIS DEVICE. REMOVE THE BIRDCHUTE™ IF YOU DISCOVER BABIES AFTER THE INSTALLATION. REMOVE BABIES PHYSICALLY OR WAIT FOR THEM TO BECOME MOBILE. RE-INSTALL THE BIRDCHUTE™ ONCE BIRDS CAN FLY & FOLLOW THE INSTRUCTIONS. TRAPPING BIRDS CAN RESULT IN ANIMAL DEATH AND/OR PROPERTY DAMAGE.

WHEN REMOVING BABIES WEAR GLOVES AND PLACE THEM IN A CLEAN CONTAINER (I.E. WINDSHIELD WASHER CONTAINER - CUT A HOLE IN THE MIDDLE FOR ENTRY) RIGHT BY THE ENTRY HOLE FOR THE MOTHER TO FIND, AND FEED THEM. THIS PROCESS WILL TAKE SOME TIME. REMOVE THE CONTAINER ONCE BIRDS FLY AWAY. **NOTE: BABIES CAN BE ABANDONED, ATTACKED BY OTHER ANIMALS, AND/OR DIE FROM EXPOSURE TO COLD/HEAT WHEN MOVED OUT OF THEIR DEN.**



1 INSPECT PROPERTY FOR SIGNS OF BIRD ENTRY POINT(S).

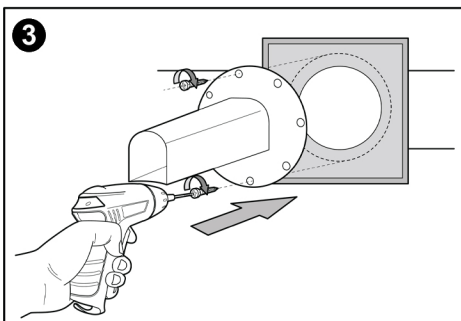
COMMON AREAS:
DRYER VENTS, SOFFIT VENTS, JUNCTIONS, ROOFLINE GAPS AND CHIMNEYS.



2

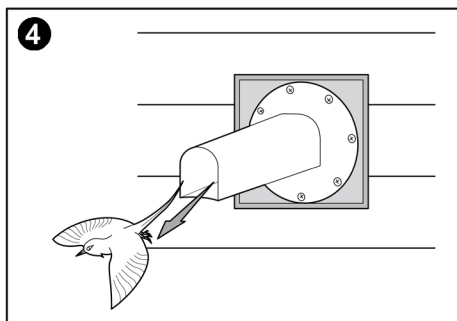
DURING BABY SEASON SEARCH NEST SITE FOR POSSIBLE BABIES/EGGS.

FOLLOW INSTRUCTIONS STATED ABOVE.



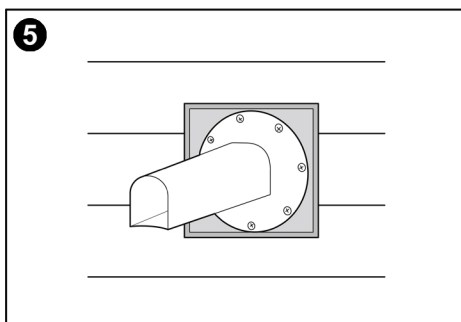
3 REMOVE ALL NESTING MATERIAL. INSTALL THE BIRDCHUTE™ OVER THE ENTRY HOLE. IF ENTRY HOLE IS LARGER THAN THE BASE, USE EXTRA MATERIAL SUCH AS 1"X0.5" MESH TO COVER

THE AREA AND INSTALL THE BIRDCHUTE™ OVER IT. USE SCREWS OR ZIP-TIES TO SECURE IT IN PLACE.

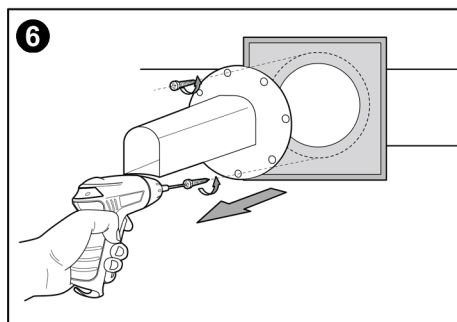


4

WAIT 24 TO 72 HOURS FOR BIRDS TO FLY OUT. NOTE: IN COLDER DAYS IT TAKES MORE TIME FOR THIS PROCESS TO OCCUR.



5 ONCE THE 24-72 HOUR PERIOD HAS PASSED, CHECK FOR ANY ACTIVITY AND/OR NEW HOLES BEFORE MOVING ON TO THE NEXT STEP.



6

REMOVE THE BIRDCHUTE™ ONCE ACTIVITY HAS STOPPED AND BIRDS HAVE BEEN EVICTED.

FIX THE HOLE/DAMAGED AREA.