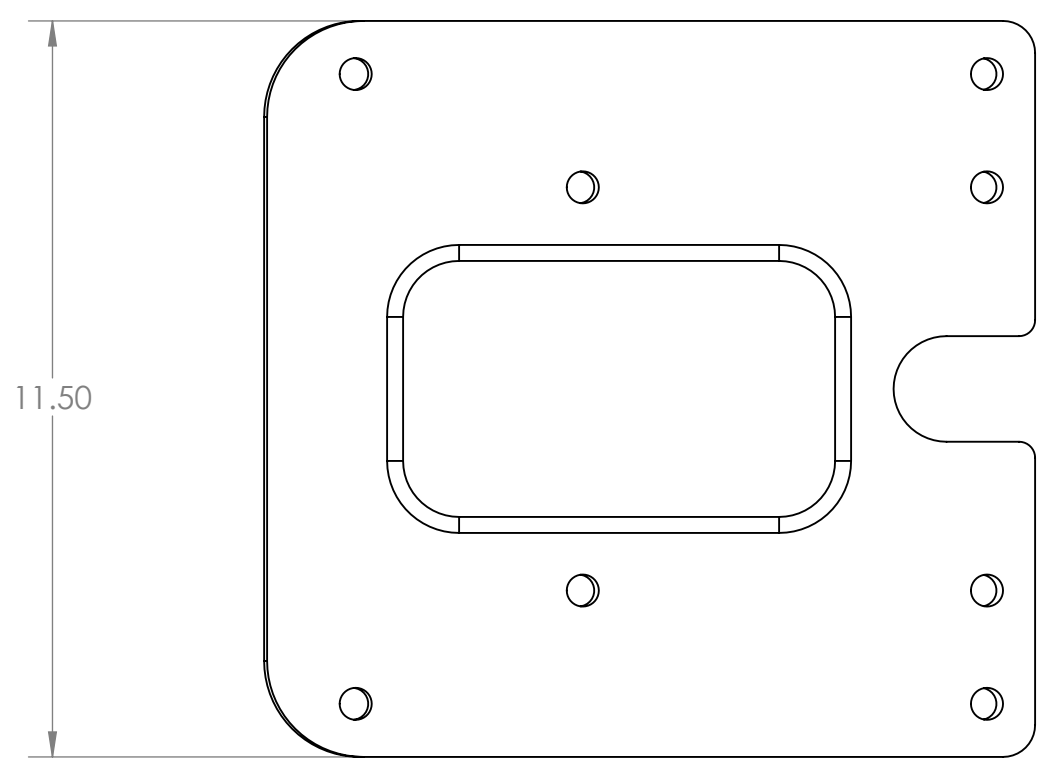
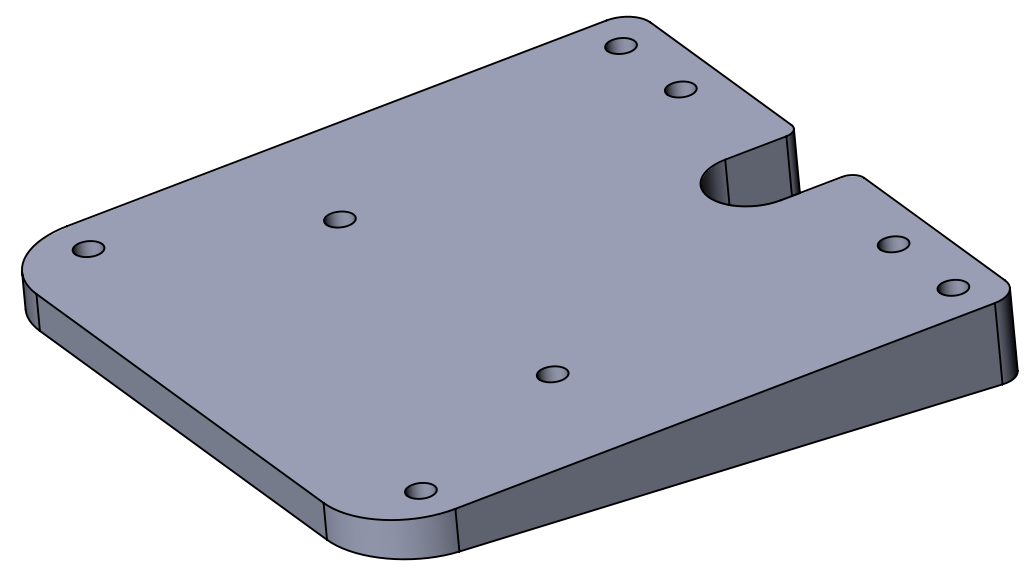
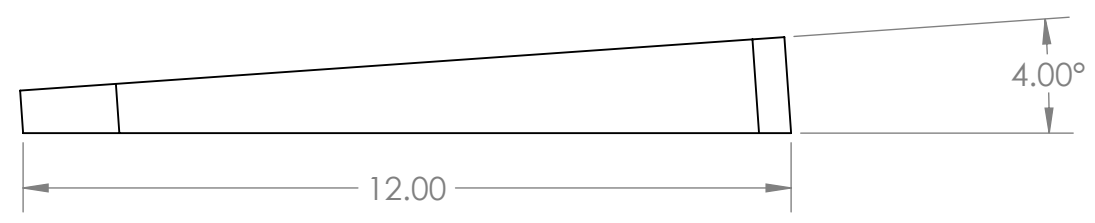


8 7 6 5 4 3 2 1

D
C
B
A



PROPRIETARY AND CONFIDENTIAL
 THE INFORMATION CONTAINED IN THIS DRAWING IS THE SOLE PROPERTY OF <INSERT COMPANY NAME HERE>. ANY REPRODUCTION IN PART OR AS A WHOLE WITHOUT THE WRITTEN PERMISSION OF <INSERT COMPANY NAME HERE> IS PROHIBITED.

		UNLESS OTHERWISE SPECIFIED:		NAME	DATE	SEAVIEW	
		DIMENSIONS ARE IN INCHES	DRAWN				TITLE:
		TOLERANCES:	CHECKED				4° Radar Wedge
		FRACTIONAL ±	ENG APPR.				
		ANGULAR: MACH ± BEND ±	MFG APPR.				
		TWO PLACE DECIMAL ±	Q.A.				
		THREE PLACE DECIMAL ±	COMMENTS:				
		INTERPRET GEOMETRIC TOLERANCING PER:				SIZE DWG. NO. REV	
		MATERIAL				B RW4-6 web	
NEXT ASSY	USED ON	FINISH				SCALE: 1:3 WEIGHT: SHEET 1 OF 1	
APPLICATION		DO NOT SCALE DRAWING					

8 7 6 5 4 3 2 1