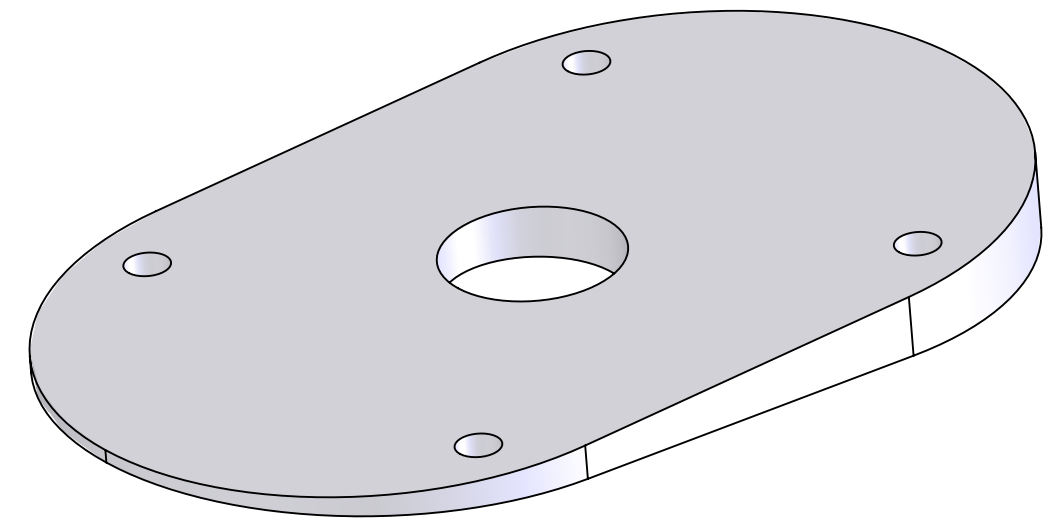
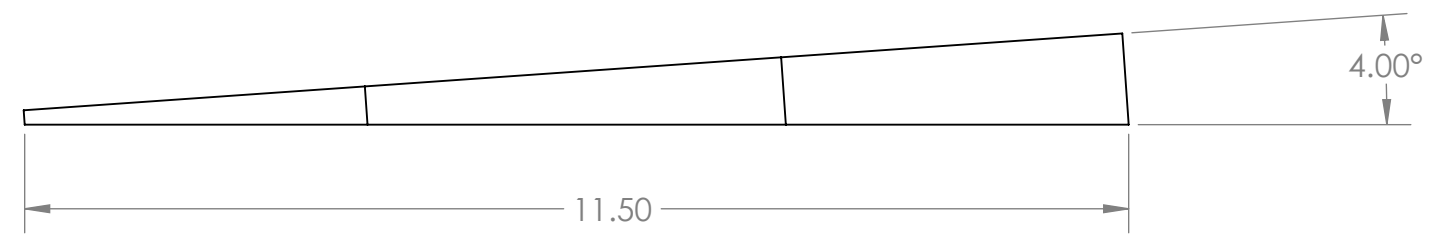


8 7 6 5 4 3 2 1

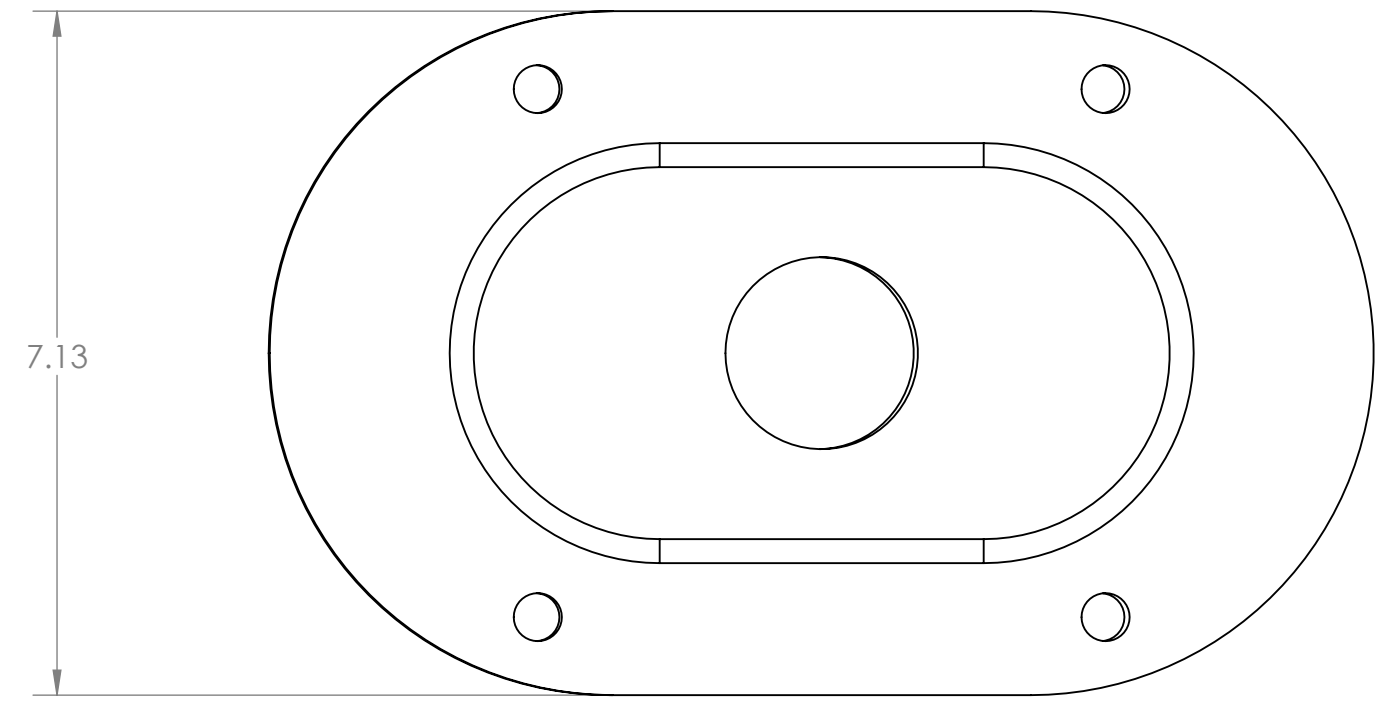
D

D



C

C



B

B

A

A

**PROPRIETARY AND CONFIDENTIAL**  
 THE INFORMATION CONTAINED IN THIS DRAWING IS THE SOLE PROPERTY OF <INSERT COMPANY NAME HERE>. ANY REPRODUCTION IN PART OR AS A WHOLE WITHOUT THE WRITTEN PERMISSION OF <INSERT COMPANY NAME HERE> IS PROHIBITED.

		UNLESS OTHERWISE SPECIFIED:		NAME	DATE	<b>SEAVIEW</b>	
		DIMENSIONS ARE IN INCHES	DRAWN				TITLE: <b>4° Radar Wedge</b>
		TOLERANCES:	CHECKED				
		FRACTIONAL ±	ENG APPR.				
		ANGULAR: MACH ± BEND ±	MFG APPR.				
		TWO PLACE DECIMAL ±	Q.A.			SIZE DWG. NO. REV	
		THREE PLACE DECIMAL ±	COMMENTS:			<b>B</b> RW4-4 web	
NEXT ASSY	USED ON	INTERPRET GEOMETRIC TOLERANCING PER:				SCALE: 1:2 WEIGHT: SHEET 1 OF 1	
APPLICATION		MATERIAL					
		FINISH					
		DO NOT SCALE DRAWING					

8 7 6 5 4 3 2 1