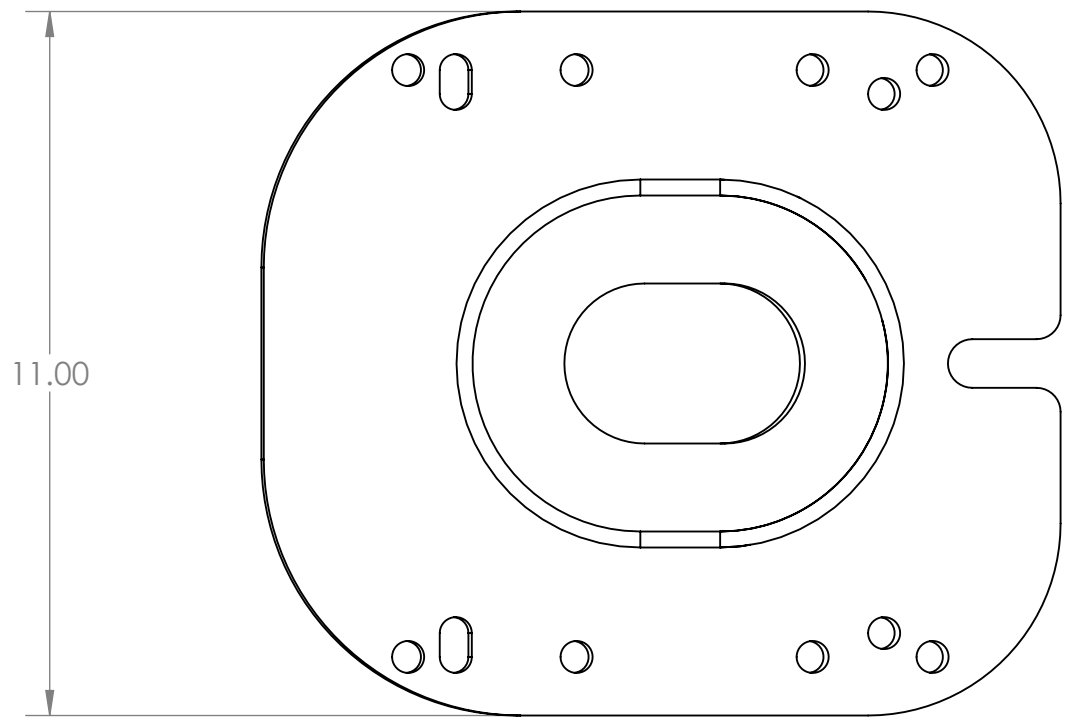
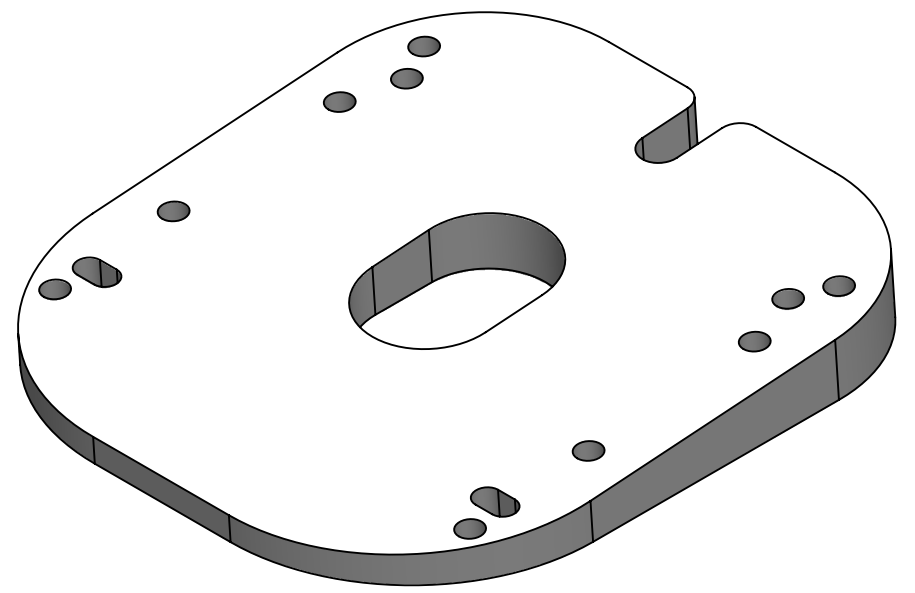
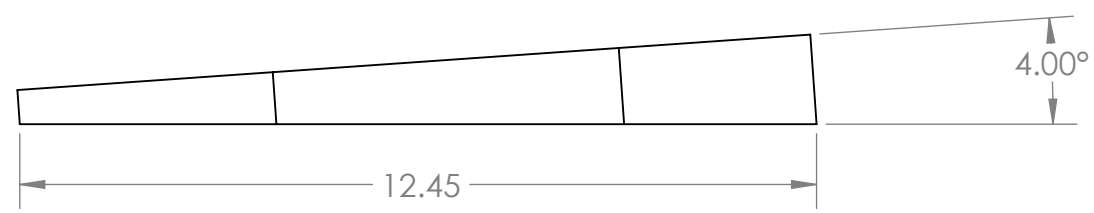


8 7 6 5 4 3 2 1

D
C
B
A

D
C
B
A



PROPRIETARY AND CONFIDENTIAL
 THE INFORMATION CONTAINED IN THIS DRAWING IS THE SOLE PROPERTY OF <INSERT COMPANY NAME HERE>. ANY REPRODUCTION IN PART OR AS A WHOLE WITHOUT THE WRITTEN PERMISSION OF <INSERT COMPANY NAME HERE> IS PROHIBITED.

		UNLESS OTHERWISE SPECIFIED:						SEAVIEW	
		DIMENSIONS ARE IN INCHES		DRAWN		NAME			
		TOLERANCES:		CHECKED				TITLE:	
		FRACTIONAL ±		ENG APPR.				4° Radar Wedge	
		ANGULAR: MACH ± BEND ±		MFG APPR.				SIZE DWG. NO. REV	
		TWO PLACE DECIMAL ±		Q.A.				B RW4-2 web	
		THREE PLACE DECIMAL ±		COMMENTS:				SCALE: 1:3 WEIGHT: 4.58 SHEET 1 OF 1	
		INTERPRET GEOMETRIC TOLERANCING PER:							
		MATERIAL		NEXT ASSY		USED ON			
		Nylon 101							
		FINISH		APPLICATION		DO NOT SCALE DRAWING			

8 7 6 5 4 3 2 1