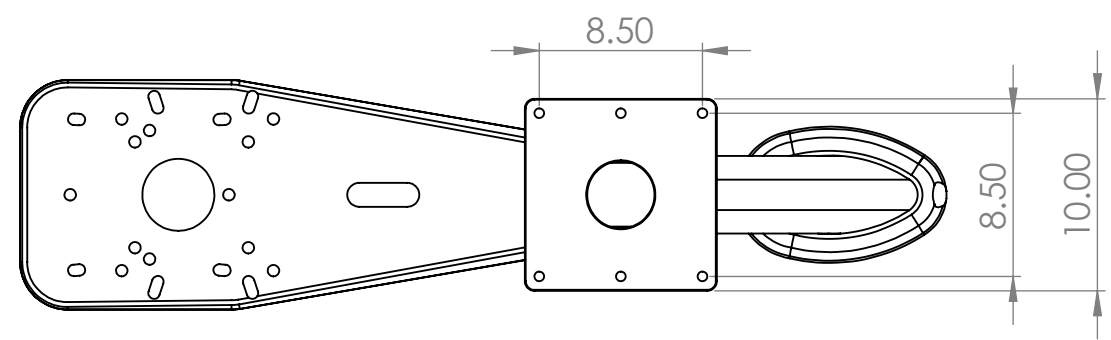
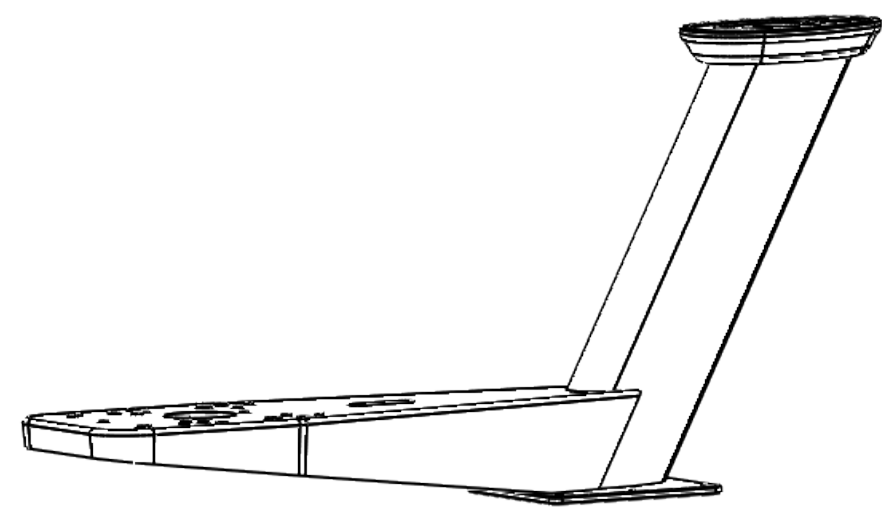
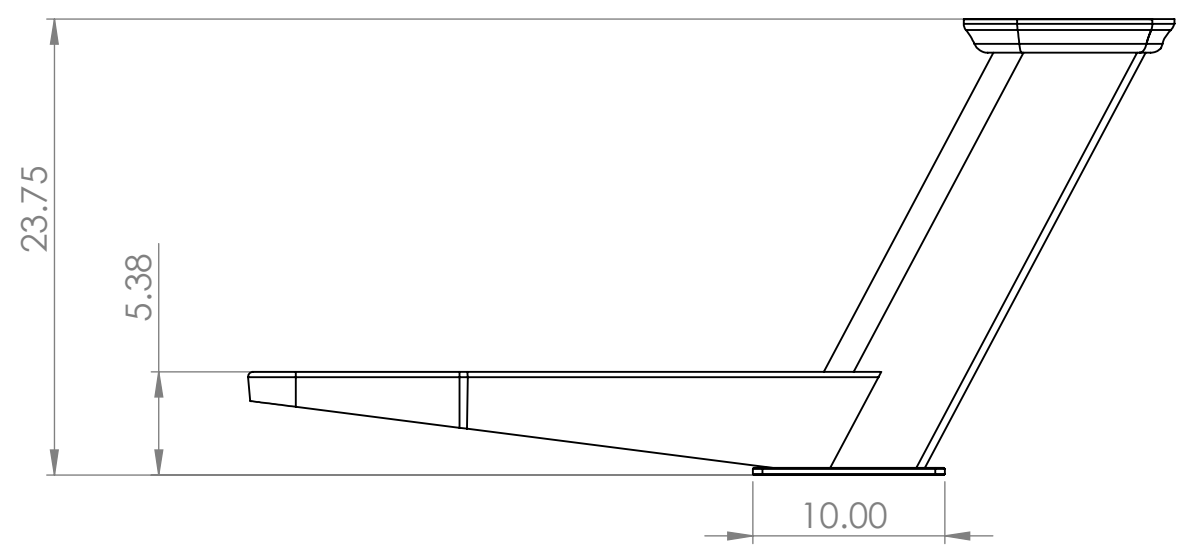


4

3

2

1



B

B

A

A

**PROPRIETARY AND CONFIDENTIAL**  
 THE INFORMATION CONTAINED IN THIS DRAWING IS THE SOLE PROPERTY OF <INSERT COMPANY NAME HERE>. ANY REPRODUCTION IN PART OR AS A WHOLE WITHOUT THE WRITTEN PERMISSION OF <INSERT COMPANY NAME HERE> IS PROHIBITED.

		UNLESS OTHERWISE SPECIFIED:		NAME	DATE	<b>SEAVIEW</b>		
		DIMENSIONS ARE IN INCHES TOLERANCES: FRACTIONAL ± ANGULAR: MACH ± BEND ± TWO PLACE DECIMAL ± THREE PLACE DECIMAL ±		DRAWN	J.A.			02.14.17
				CHECKED		TITLE: Dual mount for up to 4' Open Arrays		
				ENG APPR.				
				MFG APPR.		SIZE DWG. NO. REV <b>B</b> PMA-DM2-M2		
				Q.A.				
				COMMENTS:				SCALE: 1:10 WEIGHT:
NEXT ASSY	USED ON	FINISH		SHEET 1 OF 1				
APPLICATION		DO NOT SCALE DRAWING						

4

3

2

1