

8 7 6 5 4 3 2 1

D

D

C

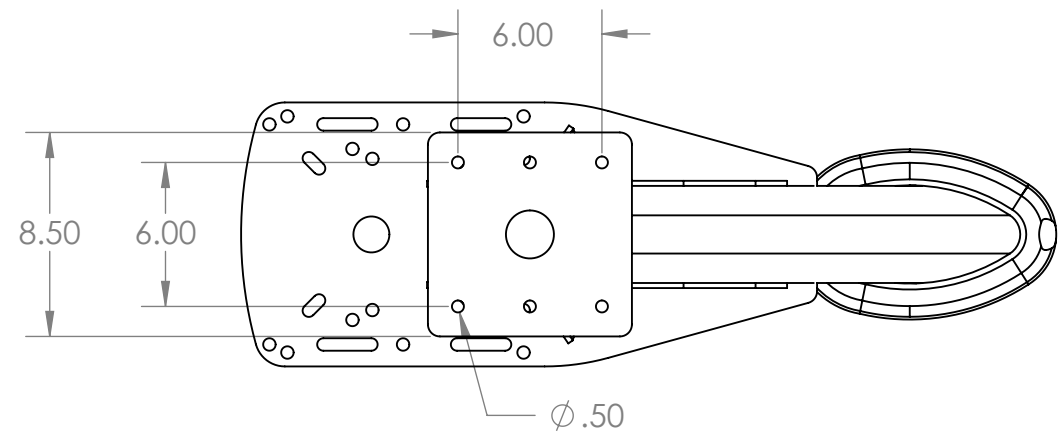
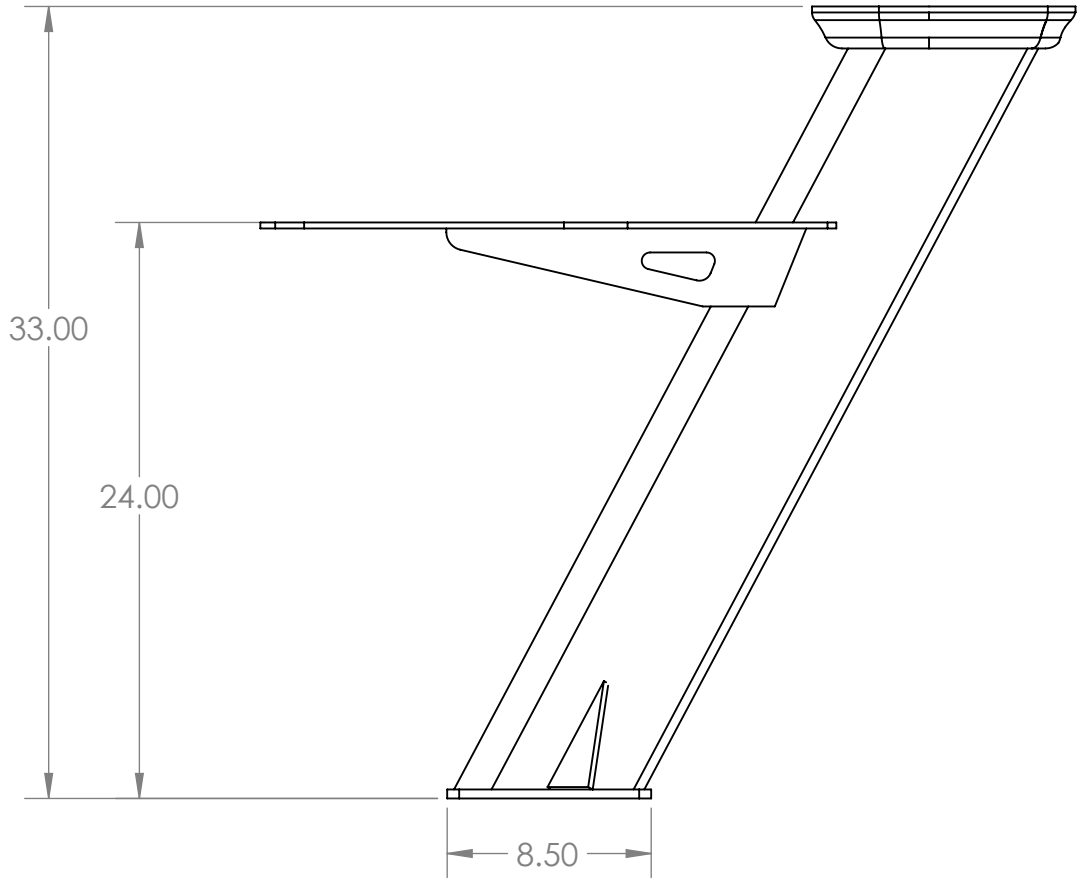
C

B

B

A

A



PROPRIETARY AND CONFIDENTIAL
THE INFORMATION CONTAINED IN THIS DRAWING IS THE SOLE PROPERTY OF <INSERT COMPANY NAME HERE>. ANY REPRODUCTION IN PART OR AS A WHOLE WITHOUT THE WRITTEN PERMISSION OF <INSERT COMPANY NAME HERE> IS PROHIBITED.

		UNLESS OTHERWISE SPECIFIED:				NAME		DATE			
		DIMENSIONS ARE IN INCHES		DRAWN							
		TOLERANCES:		CHECKED							
		FRACTIONAL ±		ENG APPR.							
		ANGULAR: MACH ± BEND ±		MFG APPR.							
		TWO PLACE DECIMAL ±		Q.A.							
		THREE PLACE DECIMAL ±		COMMENTS:							
		INTERPRET GEOMETRIC TOLERANCING PER:									
		MATERIAL									
		FINISH									
NEXT ASSY		USED ON									
APPLICATION		DO NOT SCALE DRAWING									
				<p>SEAVIEW</p> <p>TITLE: Extended Dual Mount</p>		SIZE		DWG. NO.		REV	
						B		PMA-DM1-24			
						SCALE: 1:8		WEIGHT:		SHEET 1 OF 1	

8 7 6 5 4 3 2 1