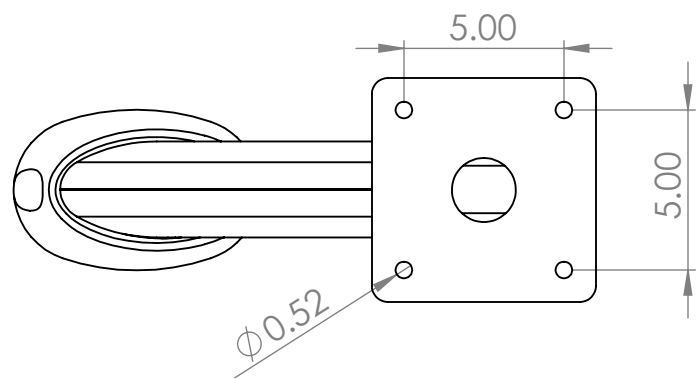
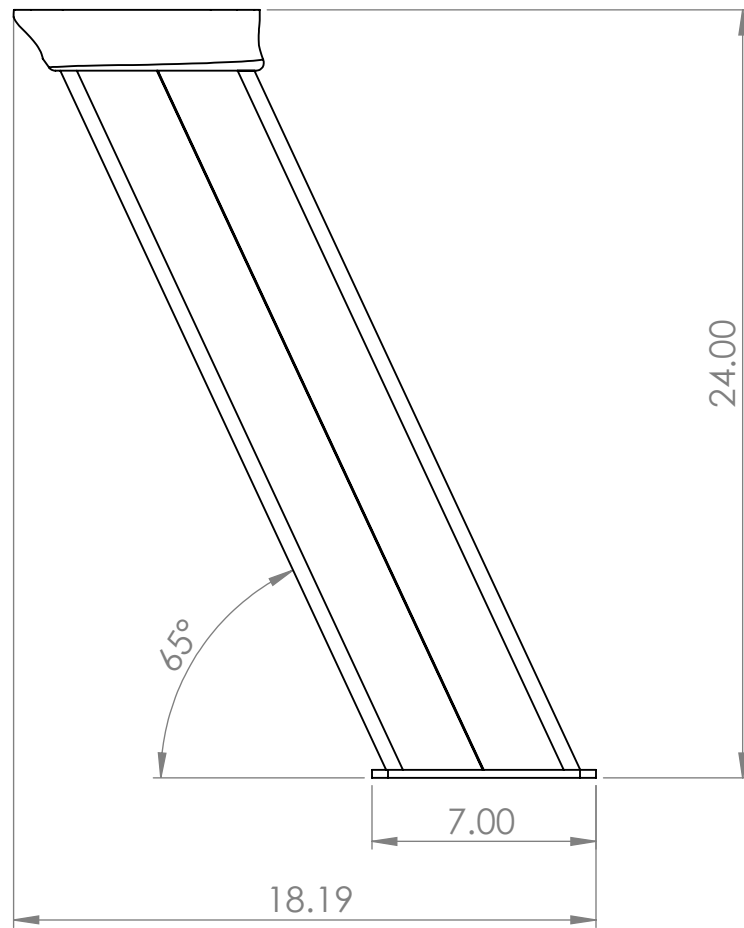
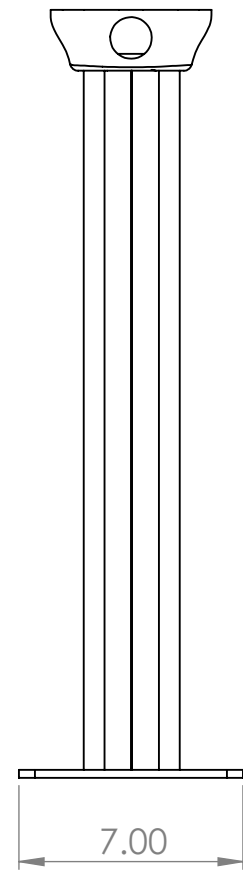


8 7 6 5 4 3 2 1

D  
C  
B  
A

D  
C  
B  
A



**PROPRIETARY AND CONFIDENTIAL**  
 THE INFORMATION CONTAINED IN THIS DRAWING IS THE SOLE PROPERTY OF <INSERT COMPANY NAME HERE>. ANY REPRODUCTION IN PART OR AS A WHOLE WITHOUT THE WRITTEN PERMISSION OF <INSERT COMPANY NAME HERE> IS PROHIBITED.

		UNLESS OTHERWISE SPECIFIED:		NAME	DATE	<b>SEAVIEW</b>	
		DIMENSIONS ARE IN INCHES TOLERANCES: FRACTIONAL ± ANGULAR: MACH ± BEND ± TWO PLACE DECIMAL ± THREE PLACE DECIMAL ±		DRAWN	J.A.		
		INTERPRET GEOMETRIC TOLERANCING PER:		CHECKED		TITLE:	
		MATERIAL		ENG APPR.		PMA-247-M1	
NEXT ASSY		USED ON		MFG APPR.		SIZE	DWG. NO.
APPLICATION		DO NOT SCALE DRAWING		Q.A.		<b>B</b>	REV
				COMMENTS:		SCALE: 1:6	WEIGHT:
						SHEET 1 OF 1	

8 7 6 5 4 3 2 1