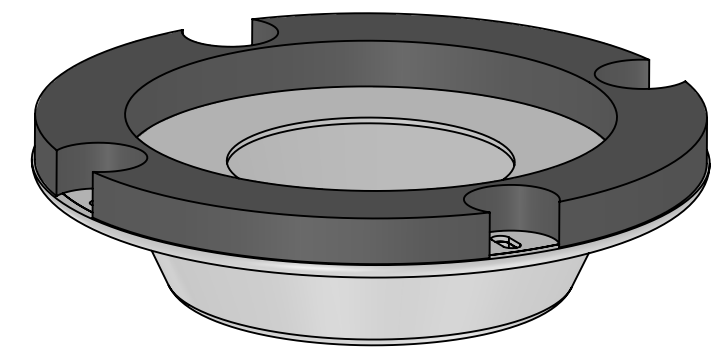
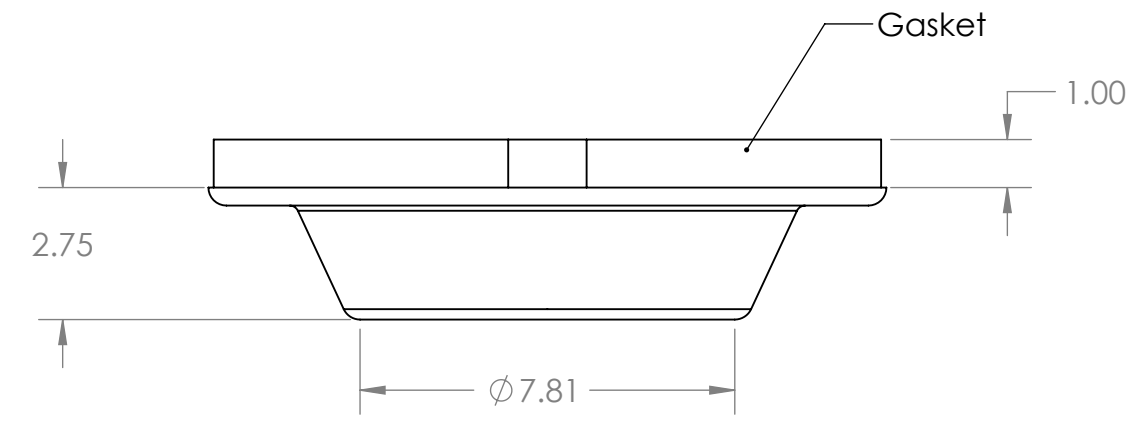


8 7 6 5 4 3 2 1

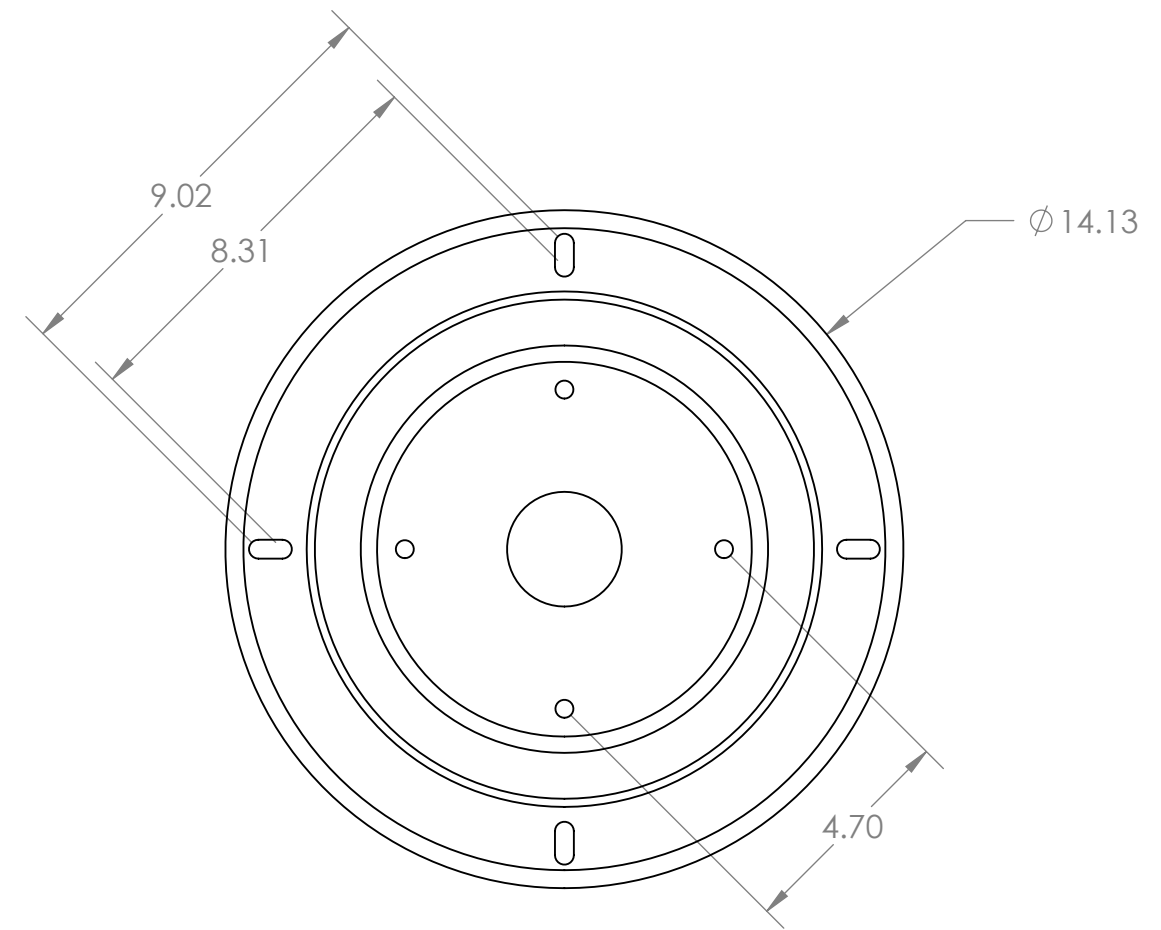
D

D



C

C



B

B

A

A

PROPRIETARY AND CONFIDENTIAL
 THE INFORMATION CONTAINED IN THIS DRAWING IS THE SOLE PROPERTY OF <INSERT COMPANY NAME HERE>. ANY REPRODUCTION IN PART OR AS A WHOLE WITHOUT THE WRITTEN PERMISSION OF <INSERT COMPANY NAME HERE> IS PROHIBITED.

		UNLESS OTHERWISE SPECIFIED:				PYI Inc.	
		DIMENSIONS ARE IN INCHES		DRAWN		TITLE:	
		TOLERANCES:		CHECKED		Arch adapter	
		FRACTIONAL \pm		ENG APPR.		for 18" Satdomes	
		ANGULAR: MACH \pm BEND \pm		MFG APPR.		SIZE	
		TWO PLACE DECIMAL \pm		Q.A.		DWG. NO.	
		THREE PLACE DECIMAL \pm		COMMENTS:		AMA-18	
		INTERPRET GEOMETRIC TOLERANCING PER:				REV	
		MATERIAL				SCALE: 1:4	
NEXT ASSY		FINISH				WEIGHT:	
USED ON		DO NOT SCALE DRAWING				SHEET 1 OF 1	
APPLICATION							

8 7 6 5 4 3 2 1