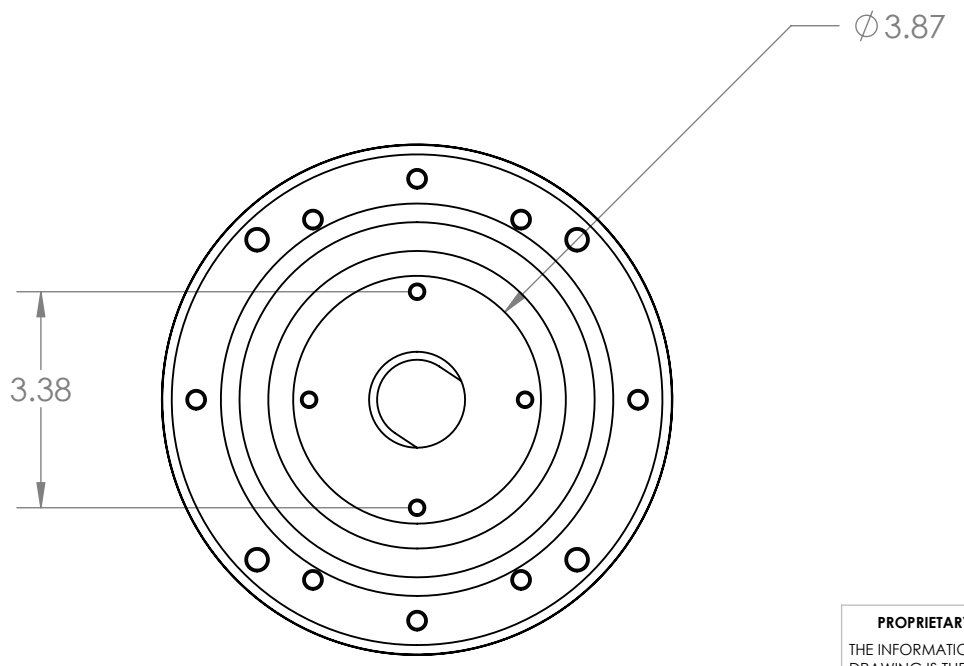
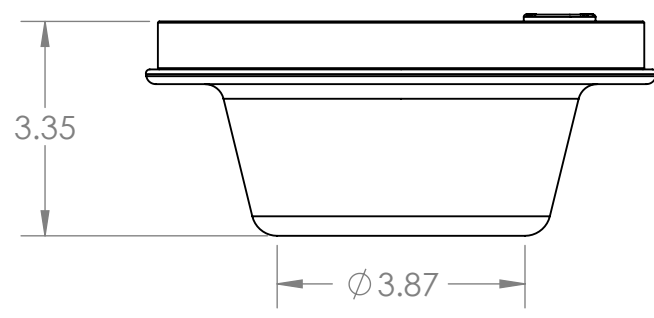
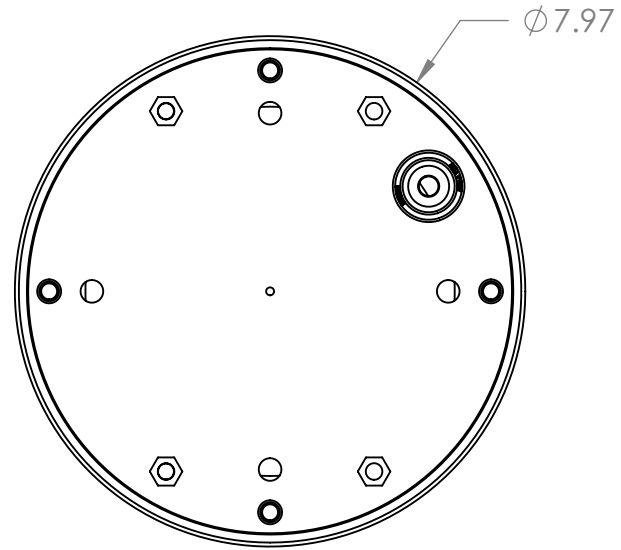


8 7 6 5 4 3 2 1

D  
C  
B  
A

D  
C  
B  
A



**PROPRIETARY AND CONFIDENTIAL**  
 THE INFORMATION CONTAINED IN THIS DRAWING IS THE SOLE PROPERTY OF <INSERT COMPANY NAME HERE>. ANY REPRODUCTION IN PART OR AS A WHOLE WITHOUT THE WRITTEN PERMISSION OF <INSERT COMPANY NAME HERE> IS PROHIBITED.

		UNLESS OTHERWISE SPECIFIED:		NAME	DATE	PYI Inc.		
		DIMENSIONS ARE IN INCHES TOLERANCES: FRACTIONAL ± ANGULAR: MACH ± BEND ± TWO PLACE DECIMAL ± THREE PLACE DECIMAL ±	DRAWN					TITLE:
		INTERPRET GEOMETRIC TOLERANCING PER:	CHECKED			Arch Adapter		
		MATERIAL	ENG APPR.					
NEXT ASSY	USED ON	FINISH	MFG APPR.			SIZE	DWG. NO.	REV
APPLICATION		DO NOT SCALE DRAWING	Q.A.			<b>B</b>	<b>AMA-14</b>	
			COMMENTS:			SCALE: 1:3	WEIGHT:	SHEET 1 OF 1

8 7 6 5 4 3 2 1