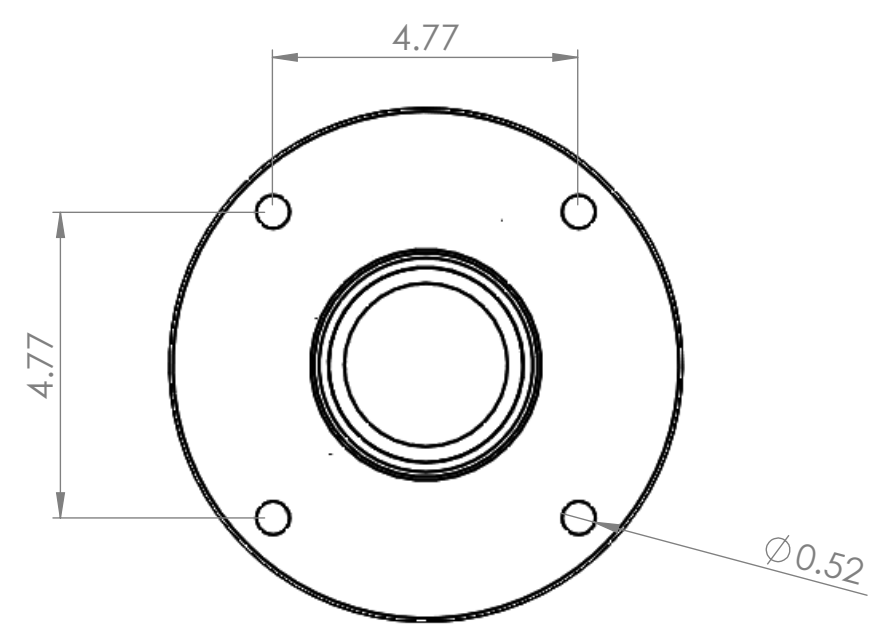
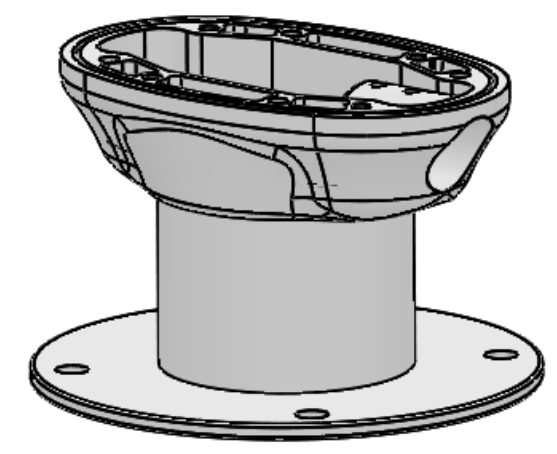
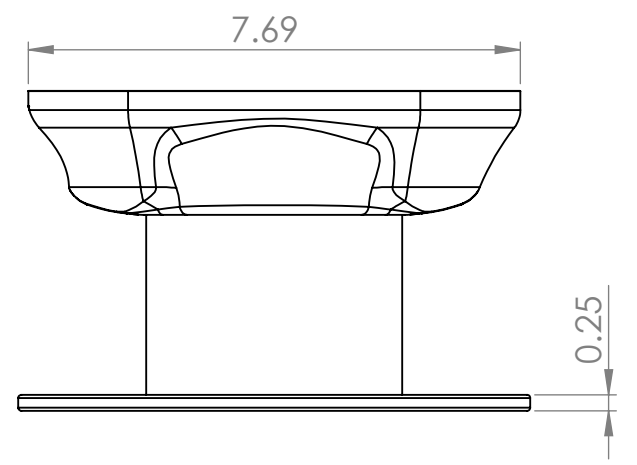
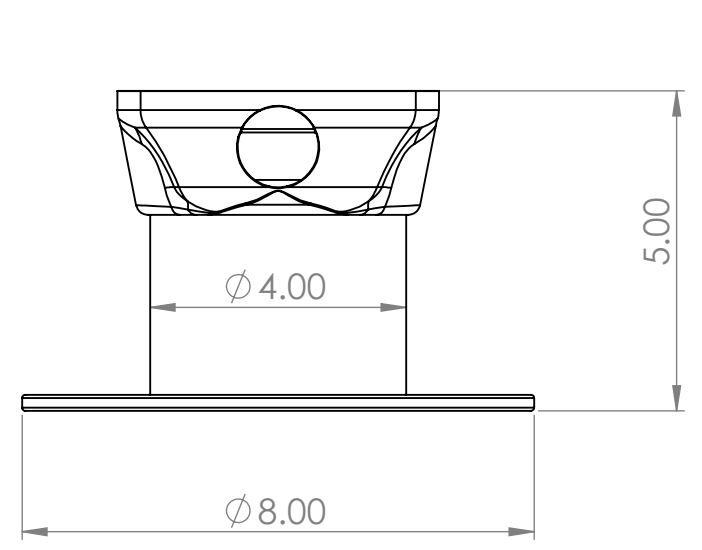


8 7 6 5 4 3 2 1

D
C
B
A

D
C
B
A



PROPRIETARY AND CONFIDENTIAL
 THE INFORMATION CONTAINED IN THIS DRAWING IS THE SOLE PROPERTY OF <INSERT COMPANY NAME HERE>. ANY REPRODUCTION IN PART OR AS A WHOLE WITHOUT THE WRITTEN PERMISSION OF <INSERT COMPANY NAME HERE> IS PROHIBITED.

| | | | | | | | | |
|-------------|---------|--------------------------------------|--|-----------|------|---|----------|--------------|
| | | UNLESS OTHERWISE SPECIFIED: | | NAME | DATE | SEAVIEW TITLE: 5" Vertical mount | | |
| | | DIMENSIONS ARE IN INCHES | | DRAWN | J.A. | | | 07.30.15 |
| | | TOLERANCES: | | CHECKED | | | | |
| | | FRACTIONAL \pm | | ENG APPR. | | | | |
| | | ANGULAR: MACH \pm BEND \pm | | MFG APPR. | | | | |
| | | TWO PLACE DECIMAL \pm | | Q.A. | | | | |
| | | THREE PLACE DECIMAL \pm | | COMMENTS: | | | | |
| | | INTERPRET GEOMETRIC TOLERANCING PER: | | | | SIZE | DWG. NO. | REV |
| | | MATERIAL | | | | B | AM5-M1 | |
| NEXT ASSY | USED ON | FINISH | | | | SCALE: 1:3 | WEIGHT: | SHEET 1 OF 1 |
| APPLICATION | | DO NOT SCALE DRAWING | | | | | | |

8 7 6 5 4 3 2 1