

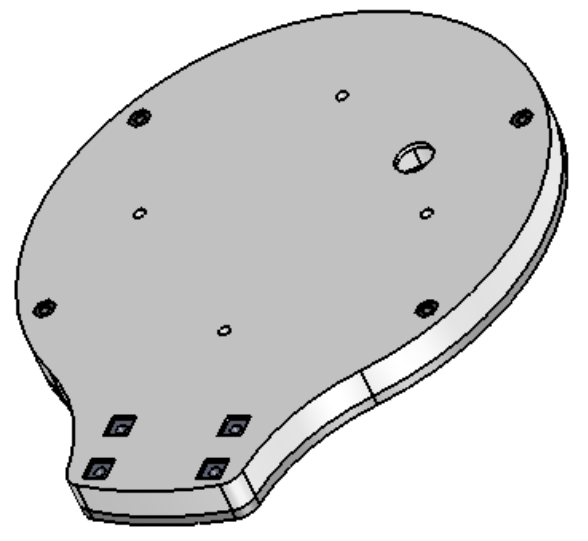
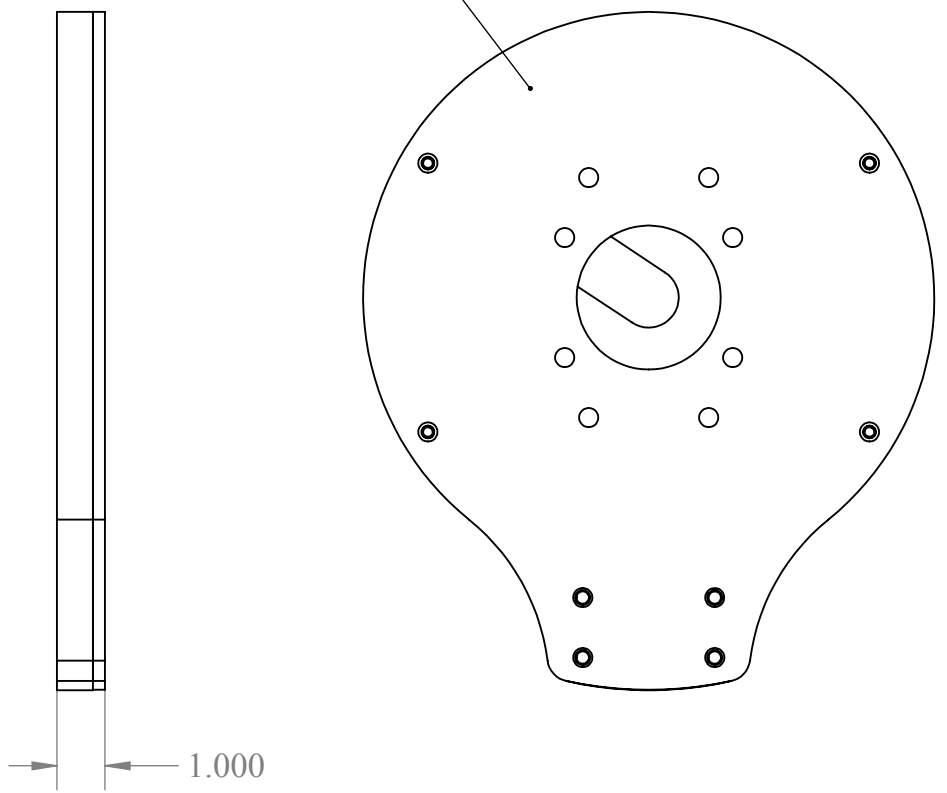
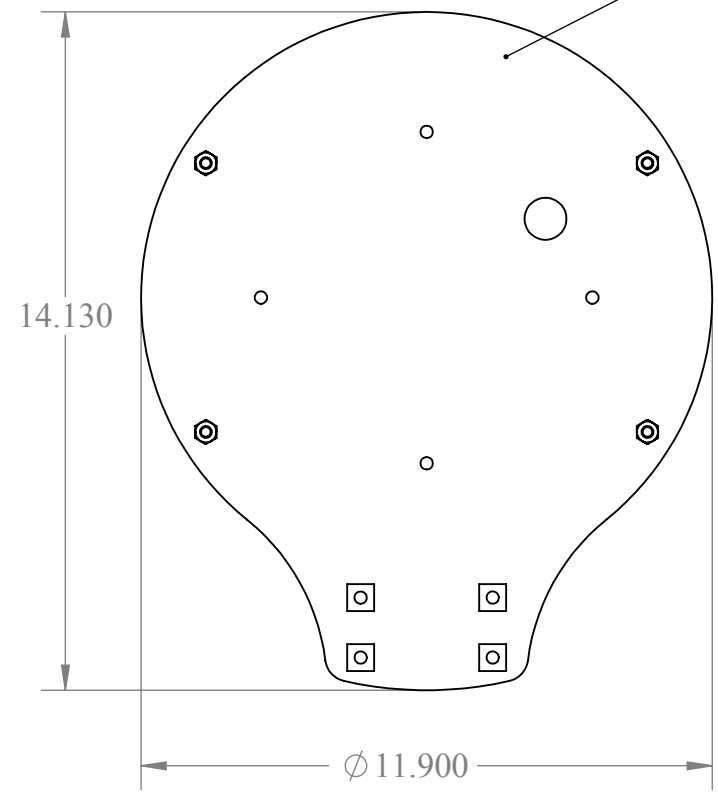
8 7 6 5 4 3 2 1

D

D

TOP PLATES BOLTS TO SATDOME

BOTTOM PLATE BOLTS TO SATDOME MOUNT



C

C

B

B

A

A

PROPRIETARY AND CONFIDENTIAL
 THE INFORMATION CONTAINED IN THIS DRAWING IS THE SOLE PROPERTY OF <INSERT COMPANY NAME HERE>. ANY REPRODUCTION IN PART OR AS A WHOLE WITHOUT THE WRITTEN PERMISSION OF <INSERT COMPANY NAME HERE> IS PROHIBITED.

		UNLESS OTHERWISE SPECIFIED:		NAME	DATE	SEAVIEW TITLE: <h1>ADA-S4</h1>				
		DIMENSIONS ARE IN INCHES		DRAWN	J.BLACK			06-20-10		
		TOLERANCES:		CHECKED						
		FRACTIONAL ±		ENG APPR.						
		ANGULAR: MACH ± BEND ±		MFG APPR.						
		TWO PLACE DECIMAL ±.01		Q.A.			SIZE	DWG. NO.	REV	
		THREE PLACE DECIMAL ±.003		COMMENTS:			B			
		INTERPRET GEOMETRIC TOLERANCING PER:						SCALE: 1:4	WEIGHT:	SHEET 1 OF 1
		MATERIAL								
		FINISH								
NEXT ASSY	USED ON	APPLICATION		DO NOT SCALE DRAWING						

8 7 6 5 4 3 2 1