

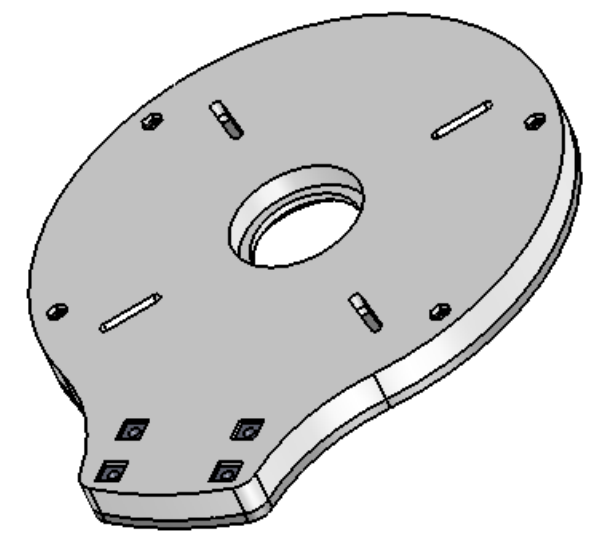
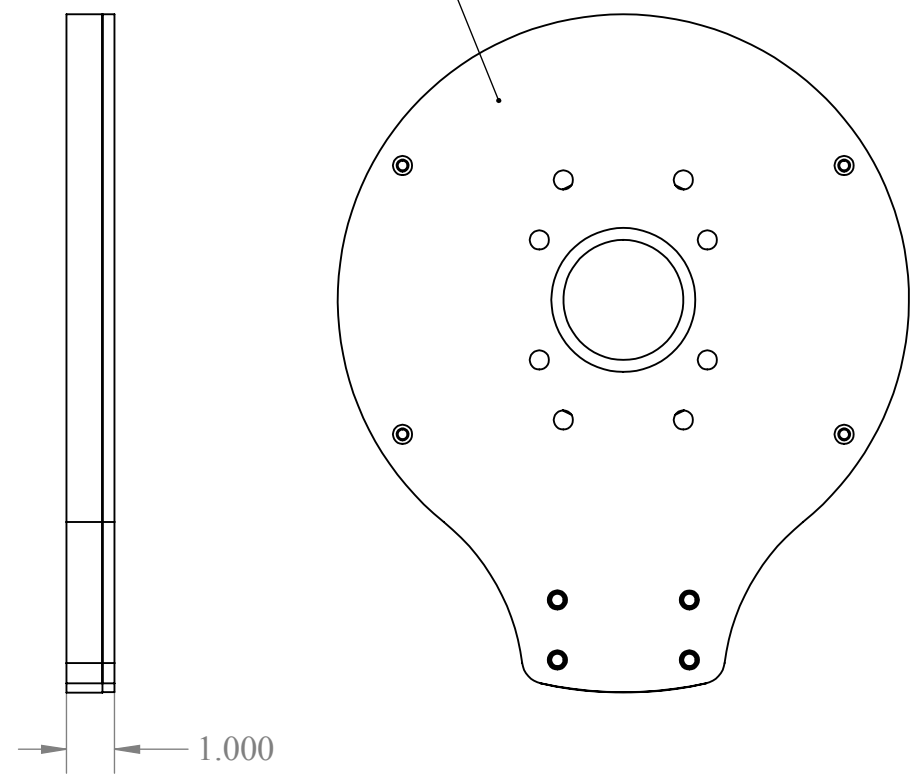
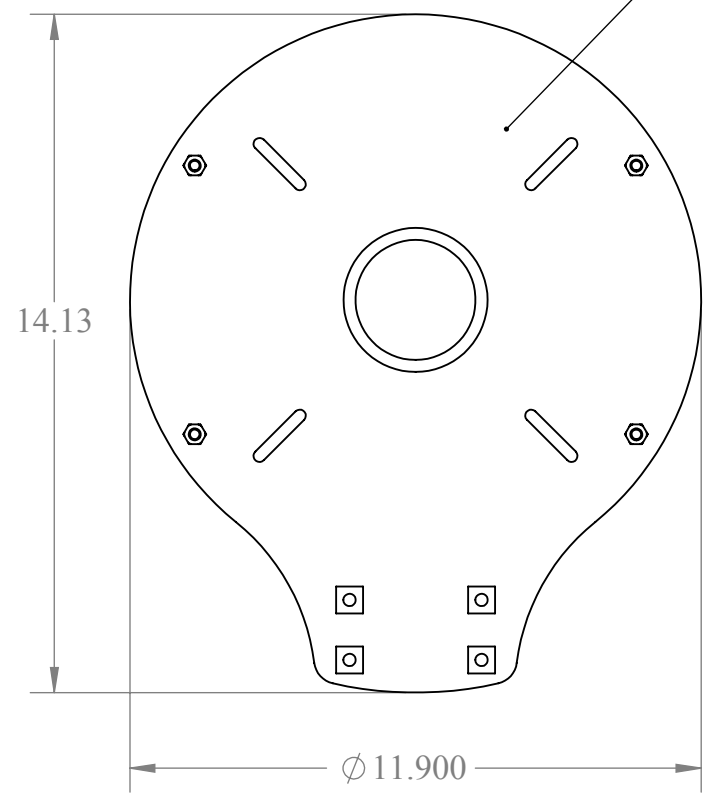
8 7 6 5 4 3 2 1

D

D

TOP PLATES BOLTS TO SATDOME

BOTTOM PLATE BOLTS TO SATDOME MOUNT



C

C

B

B

A

A

**PROPRIETARY AND CONFIDENTIAL**  
 THE INFORMATION CONTAINED IN THIS DRAWING IS THE SOLE PROPERTY OF <INSERT COMPANY NAME HERE>. ANY REPRODUCTION IN PART OR AS A WHOLE WITHOUT THE WRITTEN PERMISSION OF <INSERT COMPANY NAME HERE> IS PROHIBITED.

		UNLESS OTHERWISE SPECIFIED:		NAME	DATE	<b>SEAVIEW</b> TITLE: <h1>ADA-S3</h1>		
		DIMENSIONS ARE IN INCHES		DRAWN	J.BLACK			06-20-10
		TOLERANCES:		CHECKED				
		FRACTIONAL ±		ENG APPR.				
		ANGULAR: MACH ± BEND ±		MFG APPR.				
		TWO PLACE DECIMAL ±.01		Q.A.				
		THREE PLACE DECIMAL ±.003		COMMENTS:				
		INTERPRET GEOMETRIC TOLERANCING PER:						
		MATERIAL				SIZE	DWG. NO.	REV
NEXT ASSY	USED ON	FINISH				<b>B</b>		
APPLICATION		DO NOT SCALE DRAWING				SCALE: 1:4	WEIGHT:	SHEET 1 OF 1

8 7 6 5 4 3 2 1