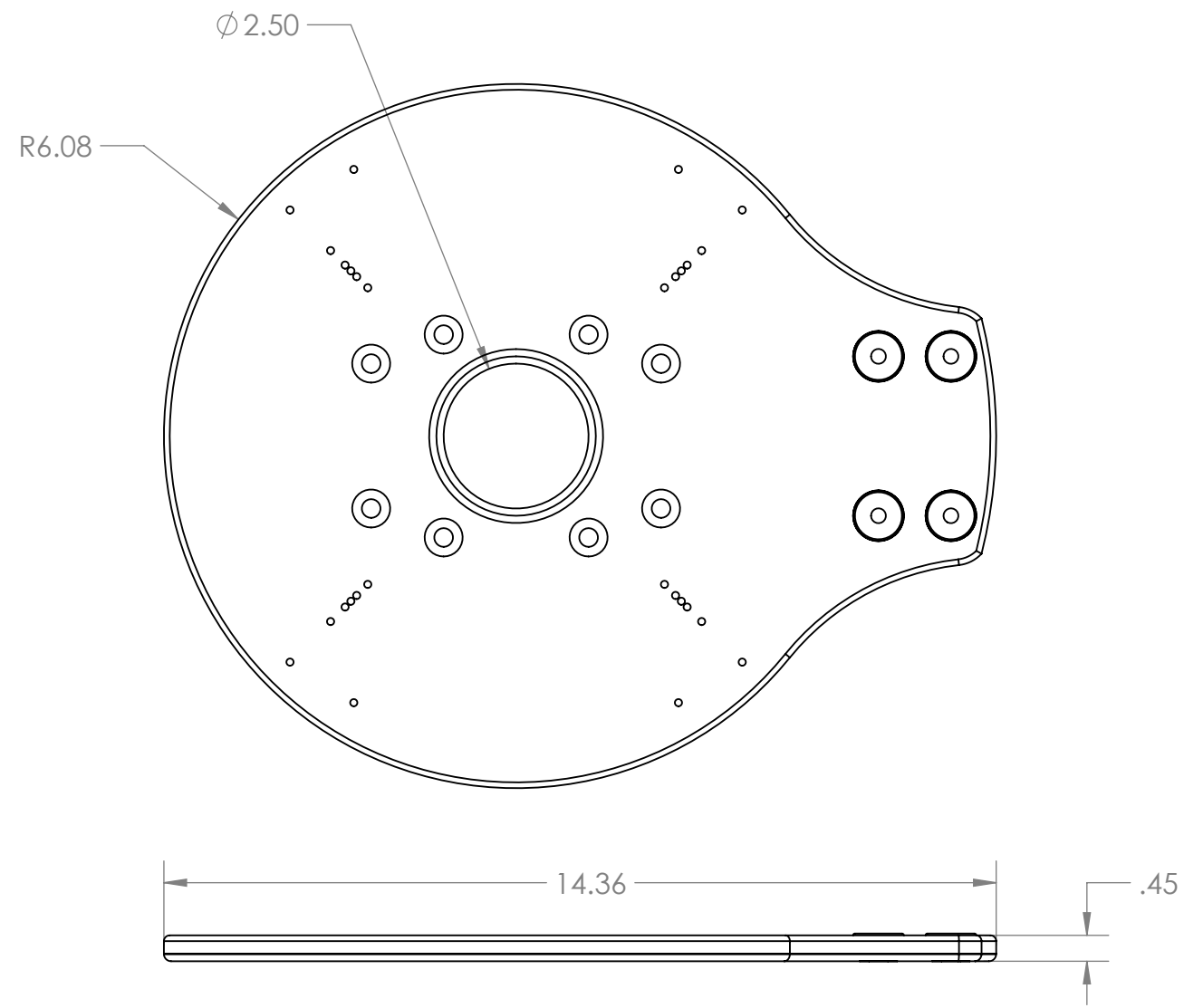


8 7 6 5 4 3 2 1

D
C
B
A



PROPRIETARY AND CONFIDENTIAL
 THE INFORMATION CONTAINED IN THIS DRAWING IS THE SOLE PROPERTY OF <INSERT COMPANY NAME HERE>. ANY REPRODUCTION IN PART OR AS A WHOLE WITHOUT THE WRITTEN PERMISSION OF <INSERT COMPANY NAME HERE> IS PROHIBITED.

		UNLESS OTHERWISE SPECIFIED:		NAME	DATE	SEAVIEW	
		DIMENSIONS ARE IN INCHES	DRAWN				TITLE:
		TOLERANCES:	CHECKED				Modular Top Plate
		FRACTIONAL ±	ENG APPR.				
		ANGULAR: MACH ± BEND ±	MFG APPR.				SIZE DWG. NO. REV
		TWO PLACE DECIMAL ±	Q.A.			B ADA-S1	
		THREE PLACE DECIMAL ±	COMMENTS:			SCALE: 1:3 WEIGHT: SHEET 1 OF 1	
		INTERPRET GEOMETRIC TOLERANCING PER:					
		MATERIAL					
		FINISH					
NEXT ASSY	USED ON						
APPLICATION		DO NOT SCALE DRAWING					

8 7 6 5 4 3 2 1