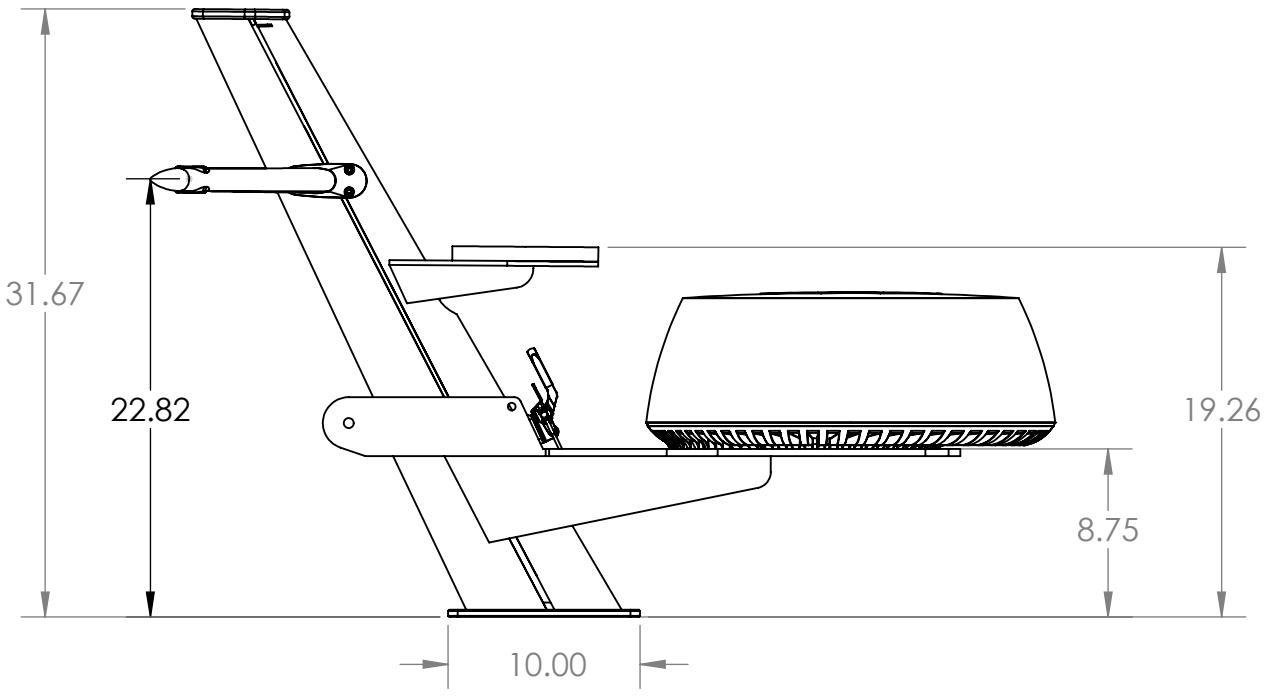
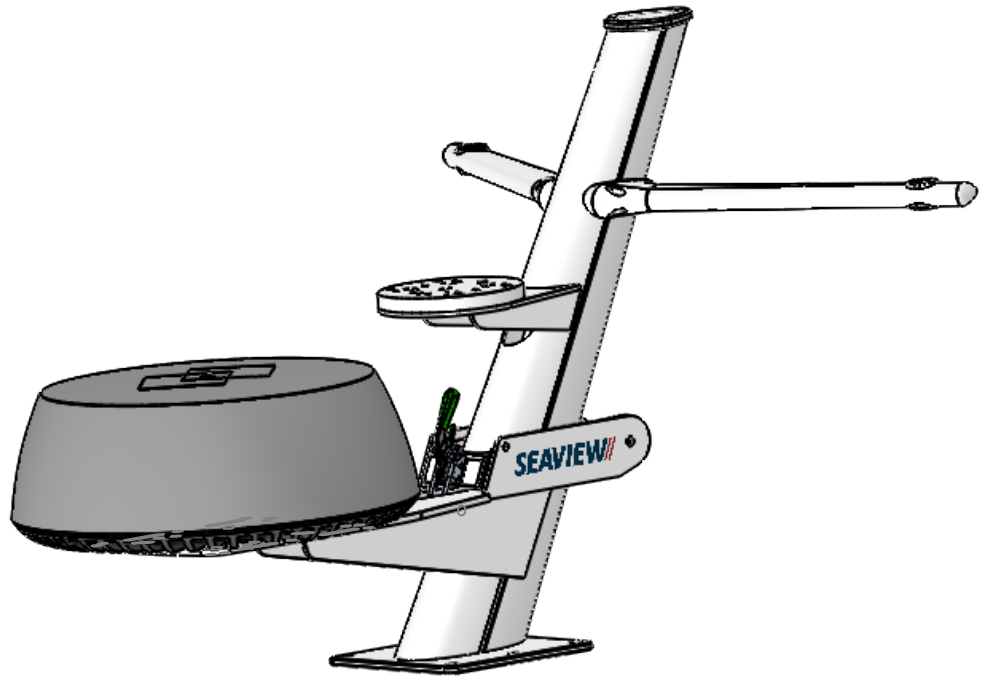


8 7 6 5 4 3 2 1

D



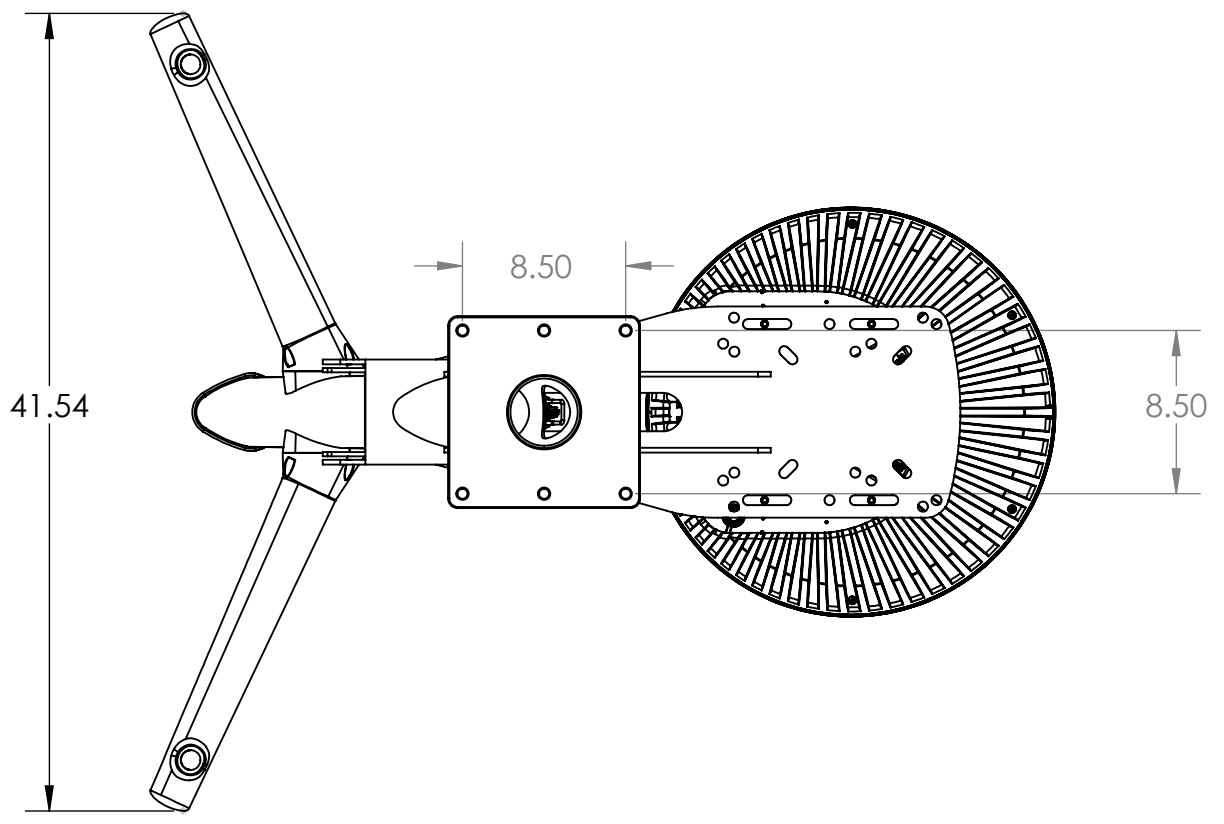
D



C

C

B



B

A

A

PROPRIETARY AND CONFIDENTIAL
 THE INFORMATION CONTAINED IN THIS DRAWING IS THE SOLE PROPERTY OF SEAVIEW. ANY REPRODUCTION IN PART OR AS A WHOLE WITHOUT THE WRITTEN PERMISSION OF SEAVIEW IS PROHIBITED.

		UNLESS OTHERWISE SPECIFIED:		NAME	DATE	SEAVIEW			
		DIMENSIONS ARE IN INCHES		DRAWN	J.A.			05.16.19	
		TOLERANCES:		CHECKED			TITLE:		
		FRACTIONAL ±		ENG APPR.			Hinged PMA 100		
		ANGULAR: MACH ± BEND ±		MFG APPR.			SIZE	DWG. NO.	REV
		TWO PLACE DECIMAL ±.01		Q.A.			B	Steve Vail	B
		THREE PLACE DECIMAL ±.003		COMMENTS:			SCALE: 1:10	WEIGHT:	SHEET 1 OF 1
		INTERPRET GEOMETRIC TOLERANCING PER:							
		MATERIAL							
NEXT ASSY	USED ON	FINISH							
APPLICATION		DO NOT SCALE DRAWING							

8 7 6 5 4 3 2 1