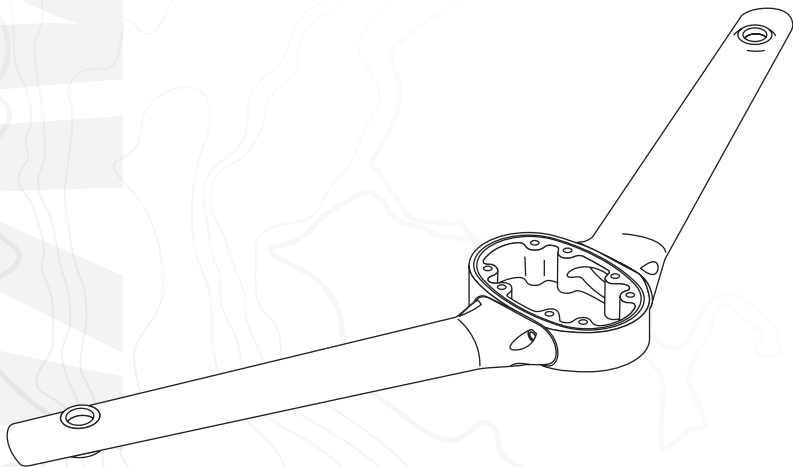


SEAVIEW

ELEVATE YOUR ELECTRONICS



INSTALLATION INSTRUCTIONS

For Seaview Spreader Kits:

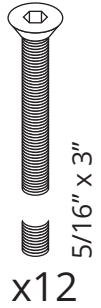
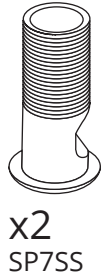
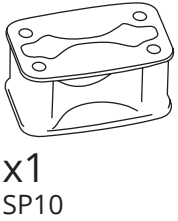
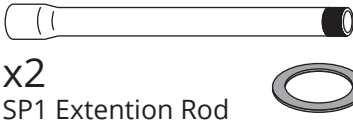
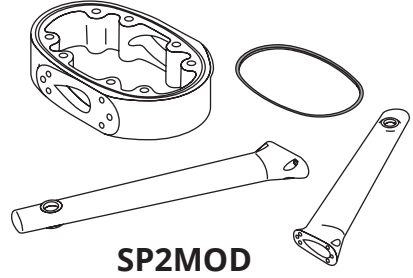
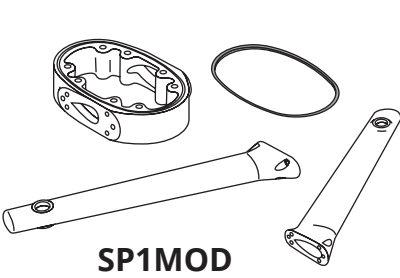
SP1MOD, SP1MODBLK

SP2MOD, SP2MODBLK

Refer to website for most up to
date instructions and videos.

WWW.SEAVIEWGLOBAL.COM

PARTS INCLUDED



TOOLS NEEDED



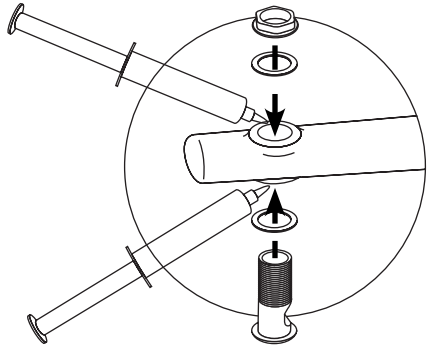
Sudbury Elastomeric Marine Sealant is recommended. To purchase call 800-655-7922 or visit www.seaviewglobal.com



Tef-Gel or Equivalent

1 Apply the rubber grommet onto the threaded adapter and then insert through the spreader.

Apply another rubber grommet and plastic nut on the threaded adapter.

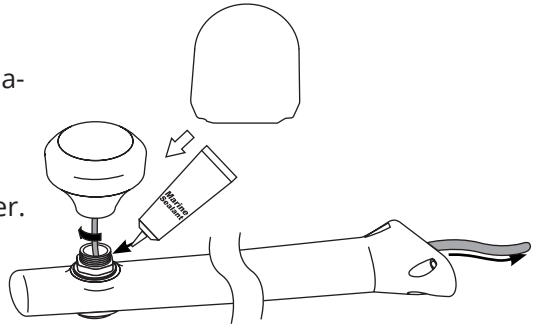


Note:

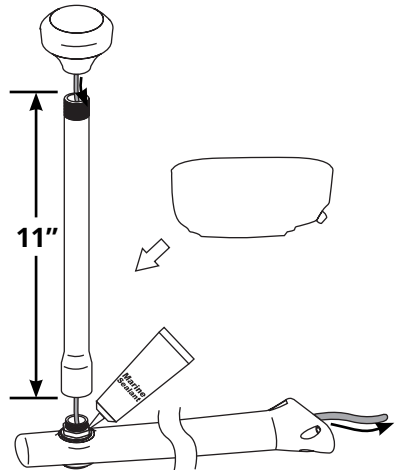
Apply Tef-Gel around the inside of each hole where the SP7SS passes through.

If you are installing an antenna with metal threads make sure to apply anti-seize or teflon tape on the threads.

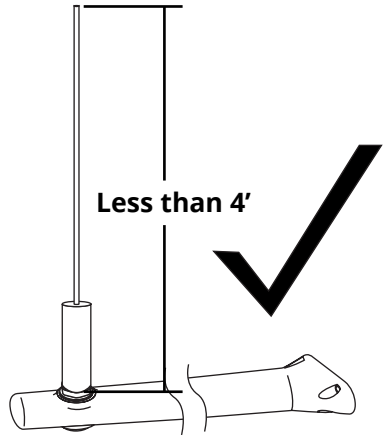
2 If you are using a satellite dome the plastic extension rod is not needed. Apply marine sealant to the threads of the adapter and screw on the GPS unit. Route the cables through the spreader.



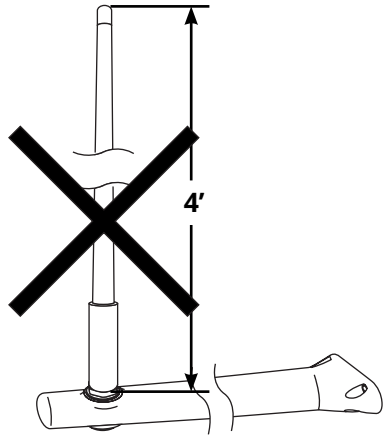
3 If you are using a closed dome radar use the provided plastic extension rods. Apply marine sealant to the threads of the adapter and screw on the GPS unit. Route the cables through the spreader.



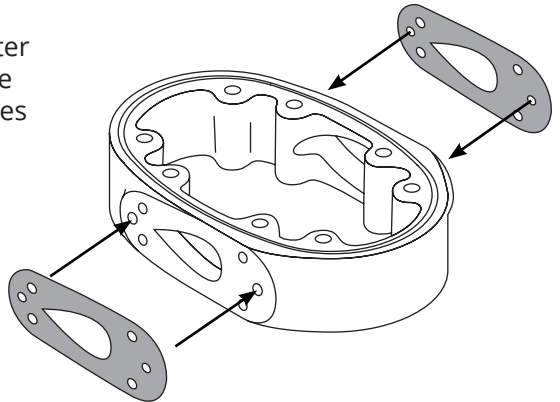
4 If your fiberglass antenna is less than 4' tall then you are ok.



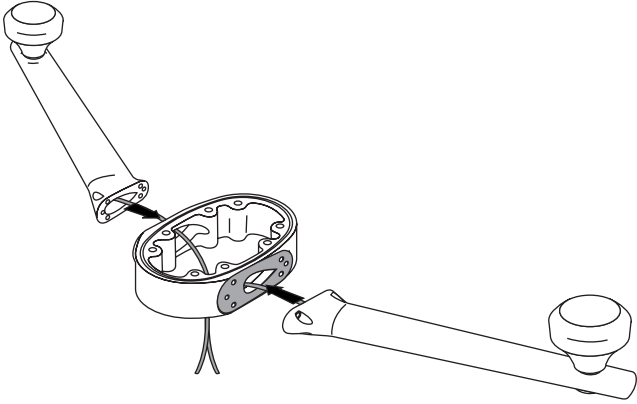
5 Do **NOT** use 4' or taller fiberglass antennas with Seaview Spreader Kits. Please call 800-523-7558.



6 Place the rubber gaskets onto the sides of the center spreader body. Make sure that the six mounting holes line up.

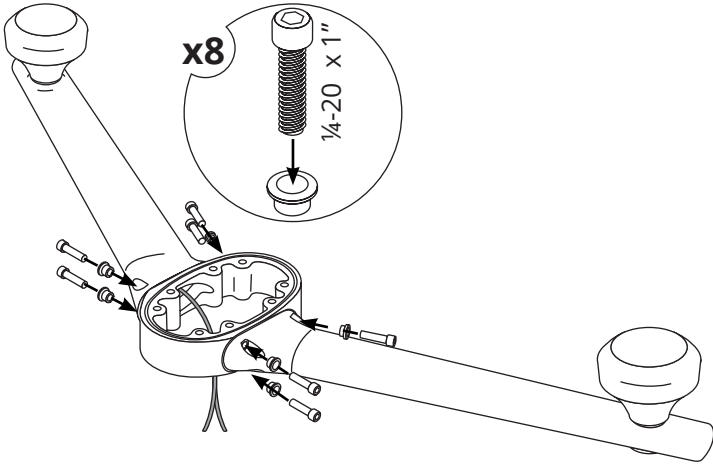


7 Route the cables through the center spreader body.



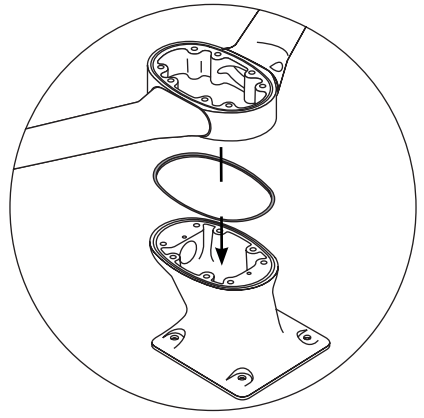
8 Insert the eight black plastic shoulder washers into the spreader bolt holes.

Using the eight 1/4-20 x 1" bolts tighten the spreaders with an allen wrench.



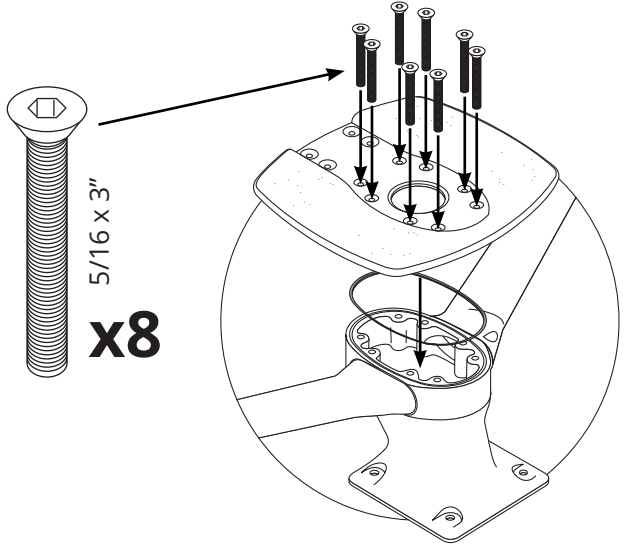
9 Place the rubber gasket in the groove on the top of the Seaview mount.

Then place the Spreader Kit on top of the mount assembly.



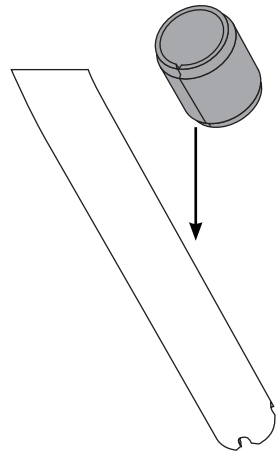
10 Place the rubber gasket that comes with the Seaview Top Plate Kit into the groove on the top of the Spreader Kit center body.

Bolt the assembly together using the eight 5/16 x 3" bolts.



11

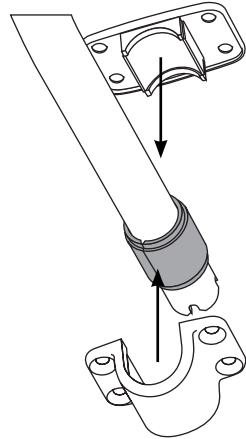
If you are using an optional Seaview Lightbar wrap the rubber bushing around the end of the lightbar.



12

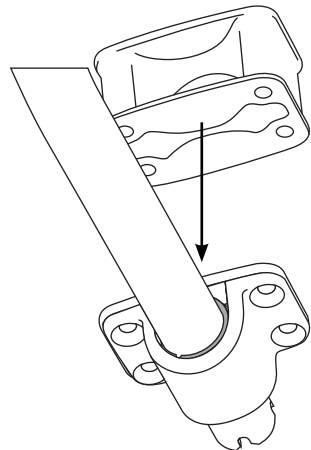
Place the white plastic adapter piece on top of the rubber bushing.

Place the stainless steel bracket onto the bottom of the rubber bushing.

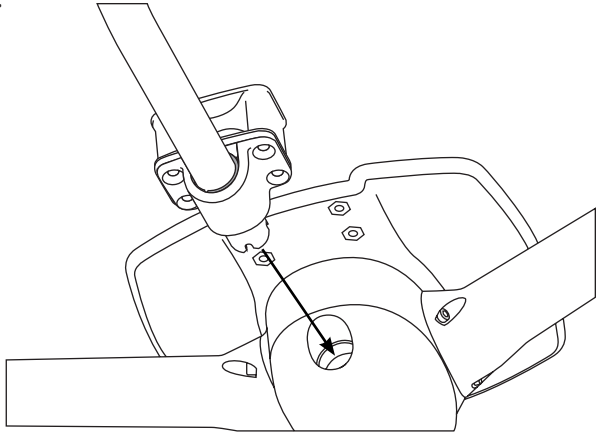


13

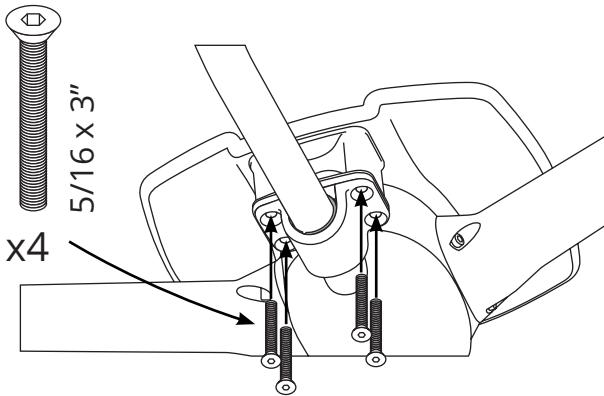
Place the white plastic spacer on top of the adapter.



14 Insert the lightbar into the back of the Seaview mount.



15 Bolt the assembly together with four 5/16 x 3" bolts.

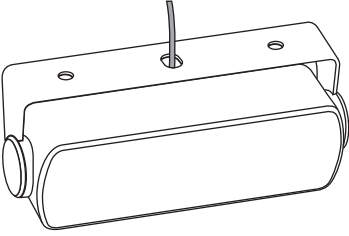


NOTE: Use 4 each of the 5/16" x 3" bolts when installing a light bar if your top plate is 3/4" or thicker.

OPTIONAL ACCESSORIES

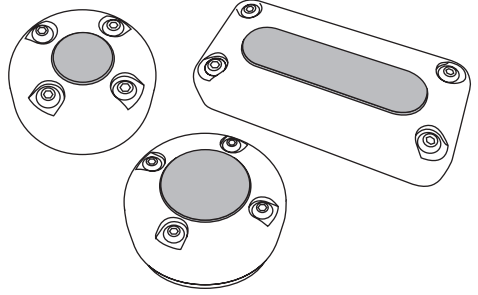
Call 800-655-7922 or visit www.seaviewglobal.com for available accessories.

SPREADER FLOOD LIGHT KIT



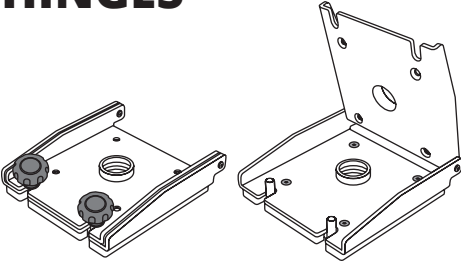
SPLTLED
Flood Light Kit for Tapered Mast
spreaders.

CABLE SEALS



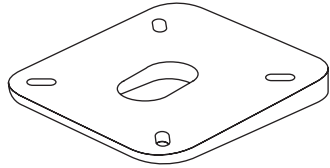
Seaview Cable Glands provide
waterproof cable routing.

HINGES



Seaview Hinge Adapters fold in any
direction necessary for added height
clearance.

WEDGES

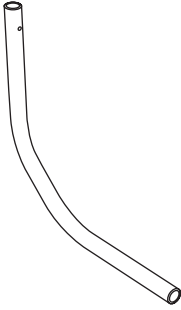


Compensates for plane angle.
Available in 2, 4 or 6 degree wedges.

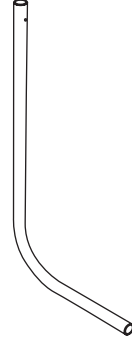
OPTIONAL ACCESSORIES

Call 800-655-7922 or visit www.seaviewglobal.com for available accessories.

LIGHT BARS

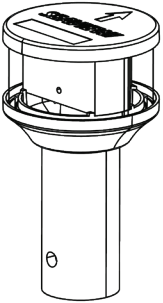


LTBR
Fits closed dome radars.

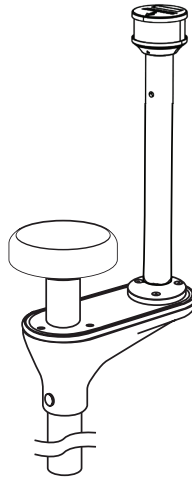


LTBS
Fits 20" or smaller satdomes.

LIGHT BAR TOPS



LTBLED12
(White LED nav light)
LTBLED12BLK
(Black LED nav light)



LTBU1ALED12
Light bar top with Seaview LED light
on 12" post and 1-14 threads for GPS.

THIS PAGE INTENTIONALLY LEFT BLANK.

The background of the entire page is a light gray topographic map with white contour lines. The lines are irregular and wavy, representing elevation changes across a landscape. The map is centered and covers the entire area.

SEAVIEW//
ELEVATE YOUR ELECTRONICS

SEAVIEW//

Tel: 800-655-7922
www.seaviewglobal.com

EUROPEAN OFFICE

Tel: +33 4 94 53 27 70
www.seaviewprogress.com

6-06052024