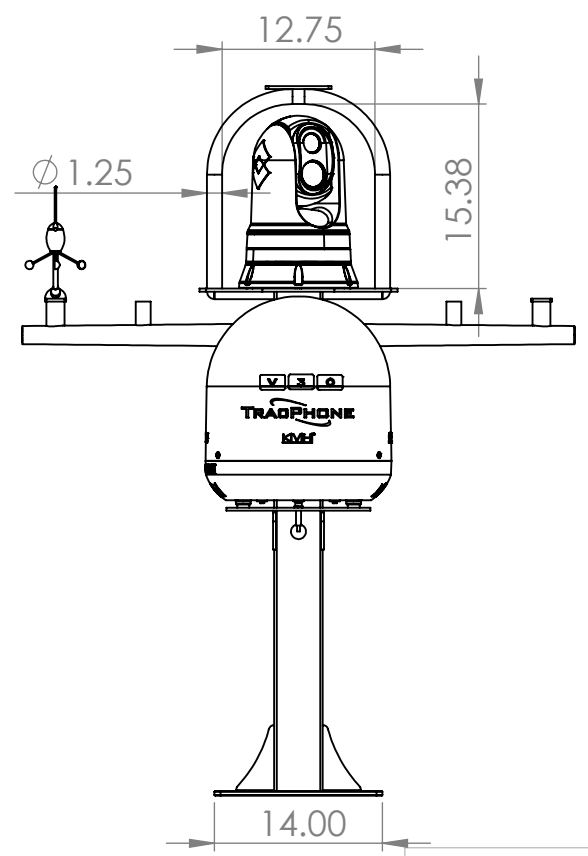
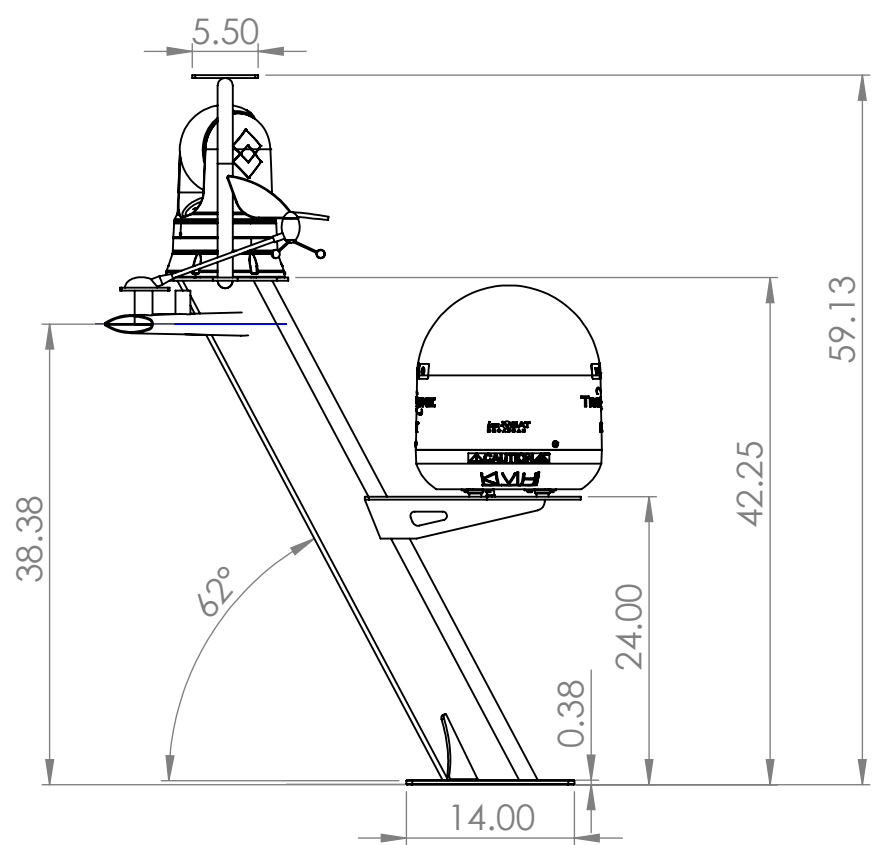
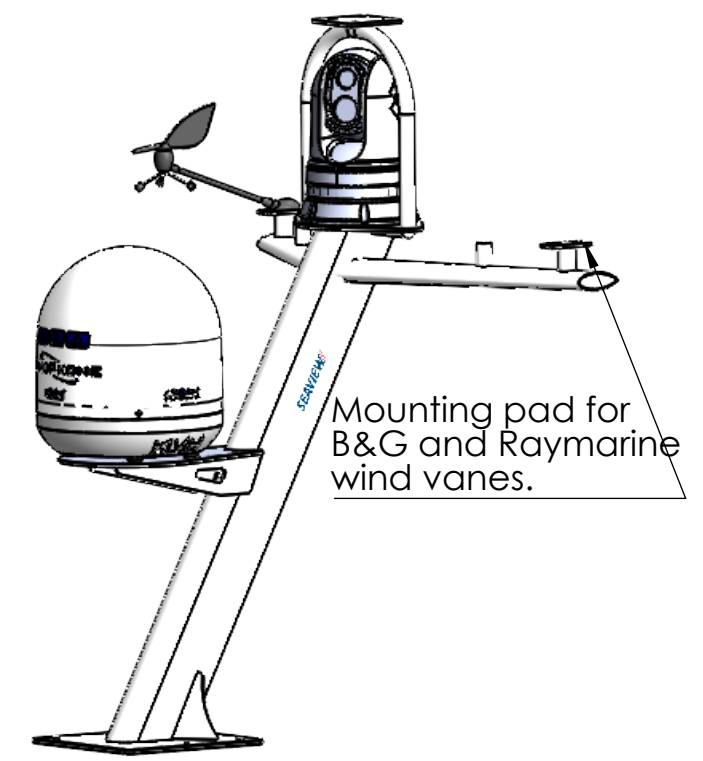


DETAIL A  
SCALE 1 : 4



**PROPRIETARY AND CONFIDENTIAL**  
THE INFORMATION CONTAINED IN THIS DRAWING IS THE SOLE PROPERTY OF SEAVIEW. ANY REPRODUCTION IN PART OR AS A WHOLE WITHOUT THE WRITTEN PERMISSION OF SEAVIEW IS PROHIBITED.

		UNLESS OTHERWISE SPECIFIED:		NAME	DATE		
		DIMENSIONS ARE IN INCHES		DRAWN	J.A.		08.25.21
		TOLERANCES:		CHECKED			
		FRACTIONAL ±		ENG APPR.			
		ANGULAR: MACH ± BEND ±		MFG APPR.			
		TWO PLACE DECIMAL ±.01		Q.A.			
		THREE PLACE DECIMAL ±.003		COMMENTS:			
		INTERPRET GEOMETRIC TOLERANCING PER:					
		MATERIAL					
		Aluminum					
		FINISH					
		Powder coated					
NEXT ASSY	USED ON	APPLICATION					
		DO NOT SCALE DRAWING					
				TITLE:		<b>Mast for V30, Flir and spreaders</b>	
SIZE		DWG. NO.		REV			
<b>B</b>		<b>Sick Speed</b>		<b>C</b>			
SCALE: 1:16				WEIGHT:		SHEET 1 OF 1	