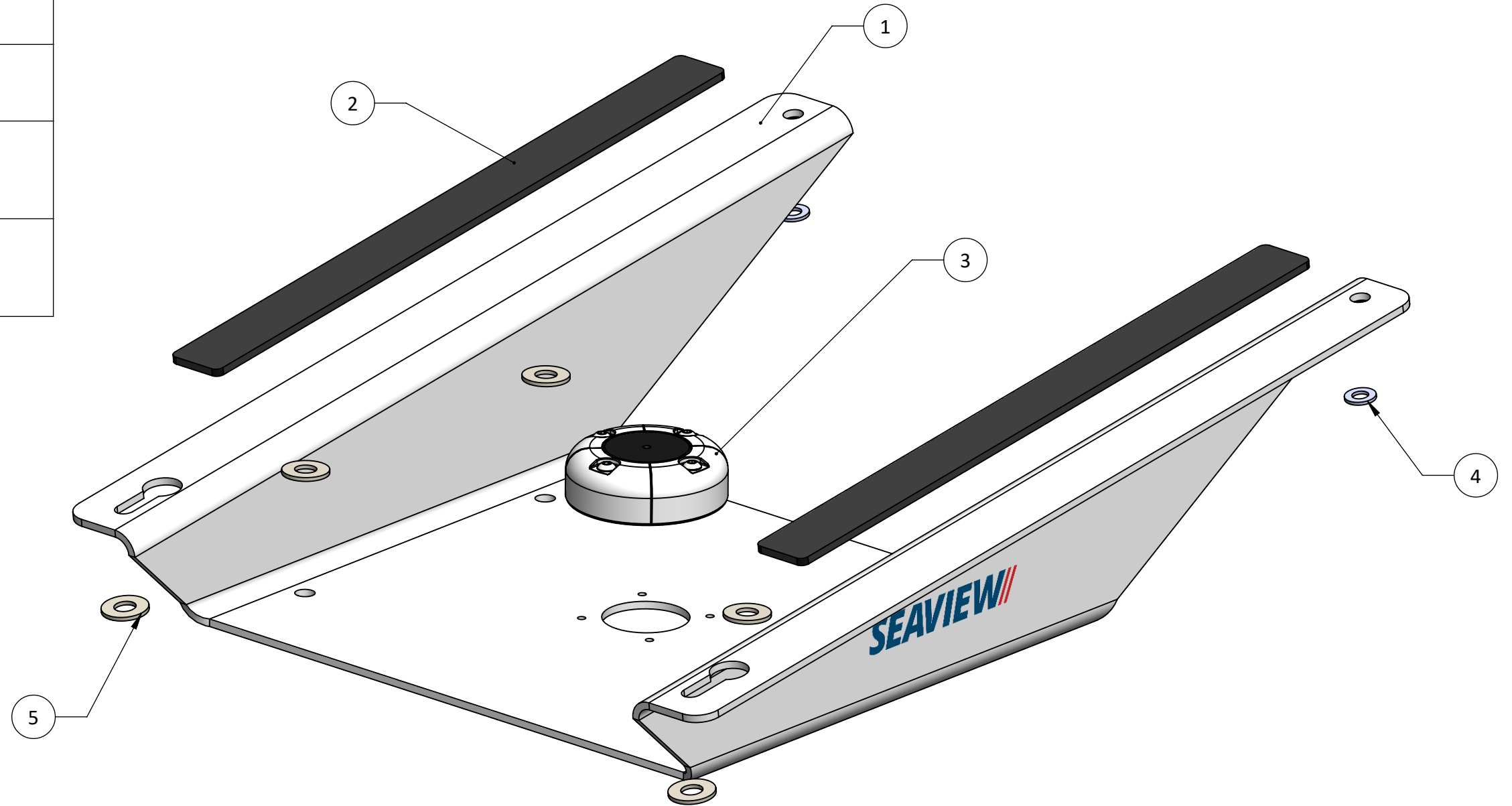


ITEM NO.	PART NUMBER	QTY.
1	WEDGE BASE	1
2	12" FOAM STRIP	2
3	CABLE SEAL	1
4	NYLON WASHER FOR 1/4" BOLTS	5
5	NYLON WASHER FOR 5/16" BOLTS	6

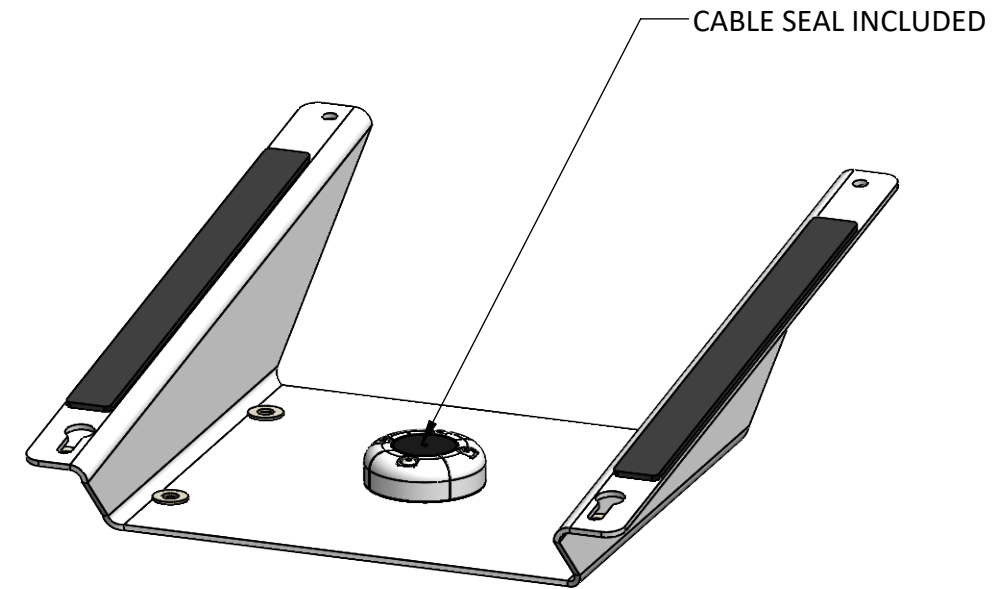
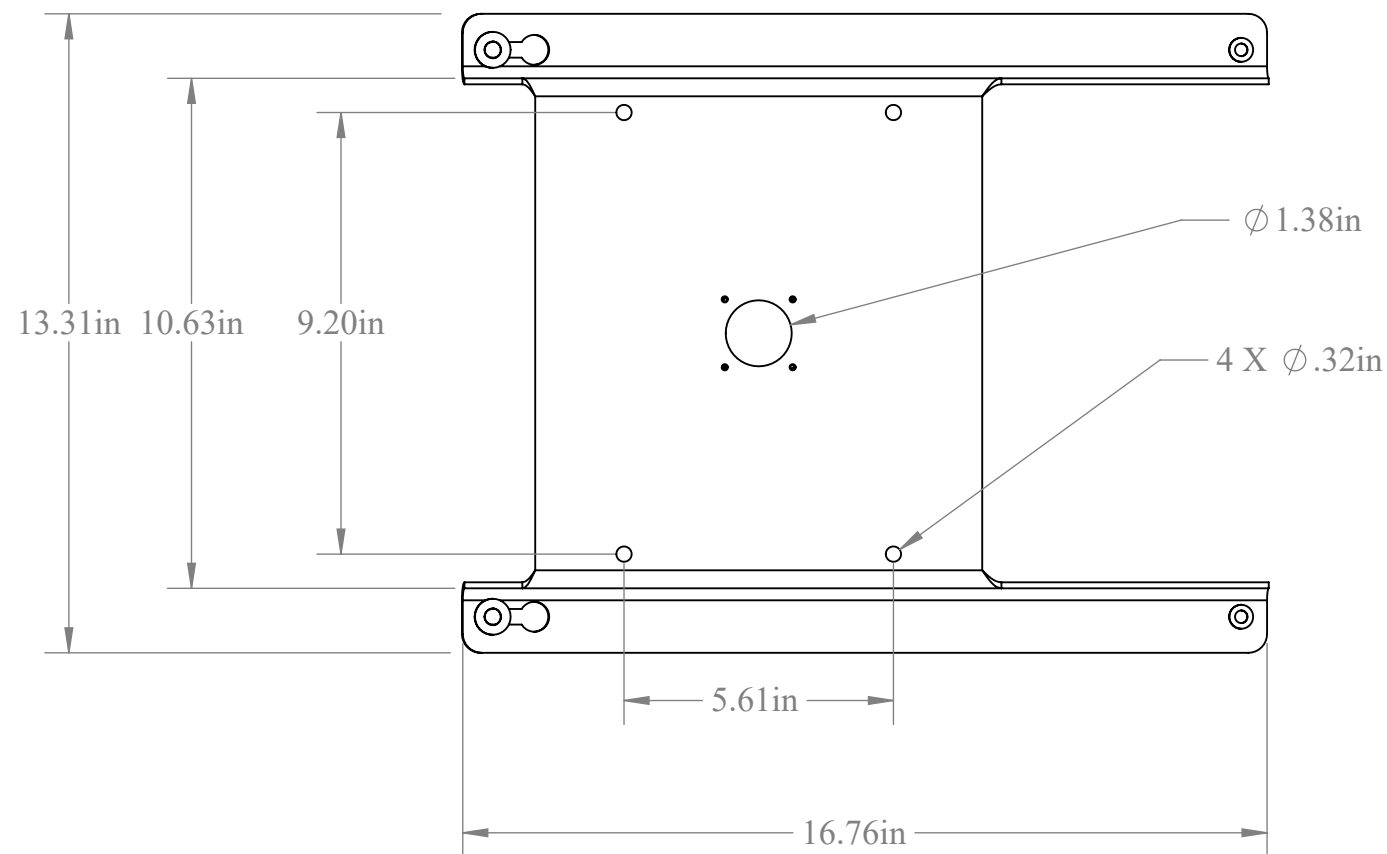
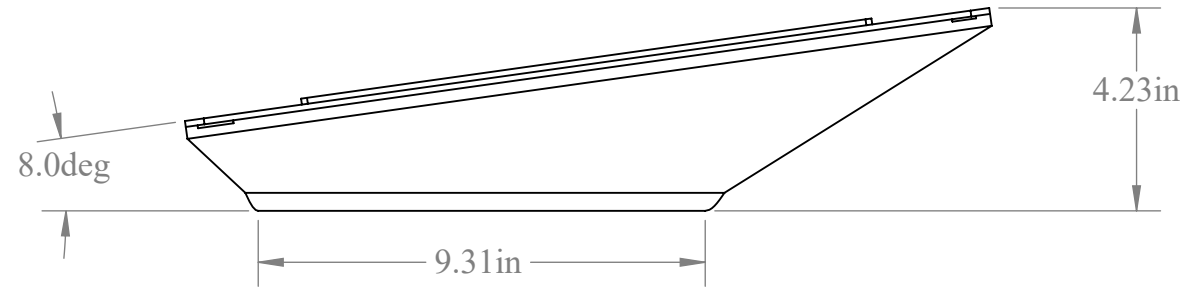


Notes:

1. Scale 1:4 (this page only)
2. Please note that some dimensions may not be shown (applies to all pages)
3. Do not scale drawing (applies to all pages)

SVSLWB

For help e-mail
info@seaviewglobal.com
 ph. 1-800-655-7922



- Notes:
1. Scale 1:4 (this page only)

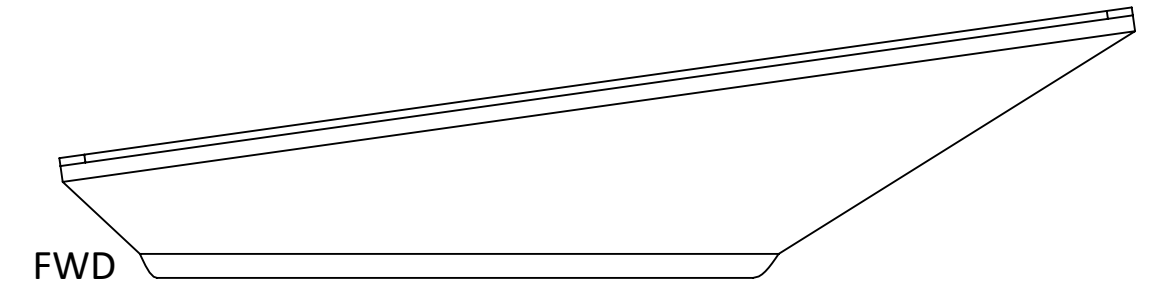
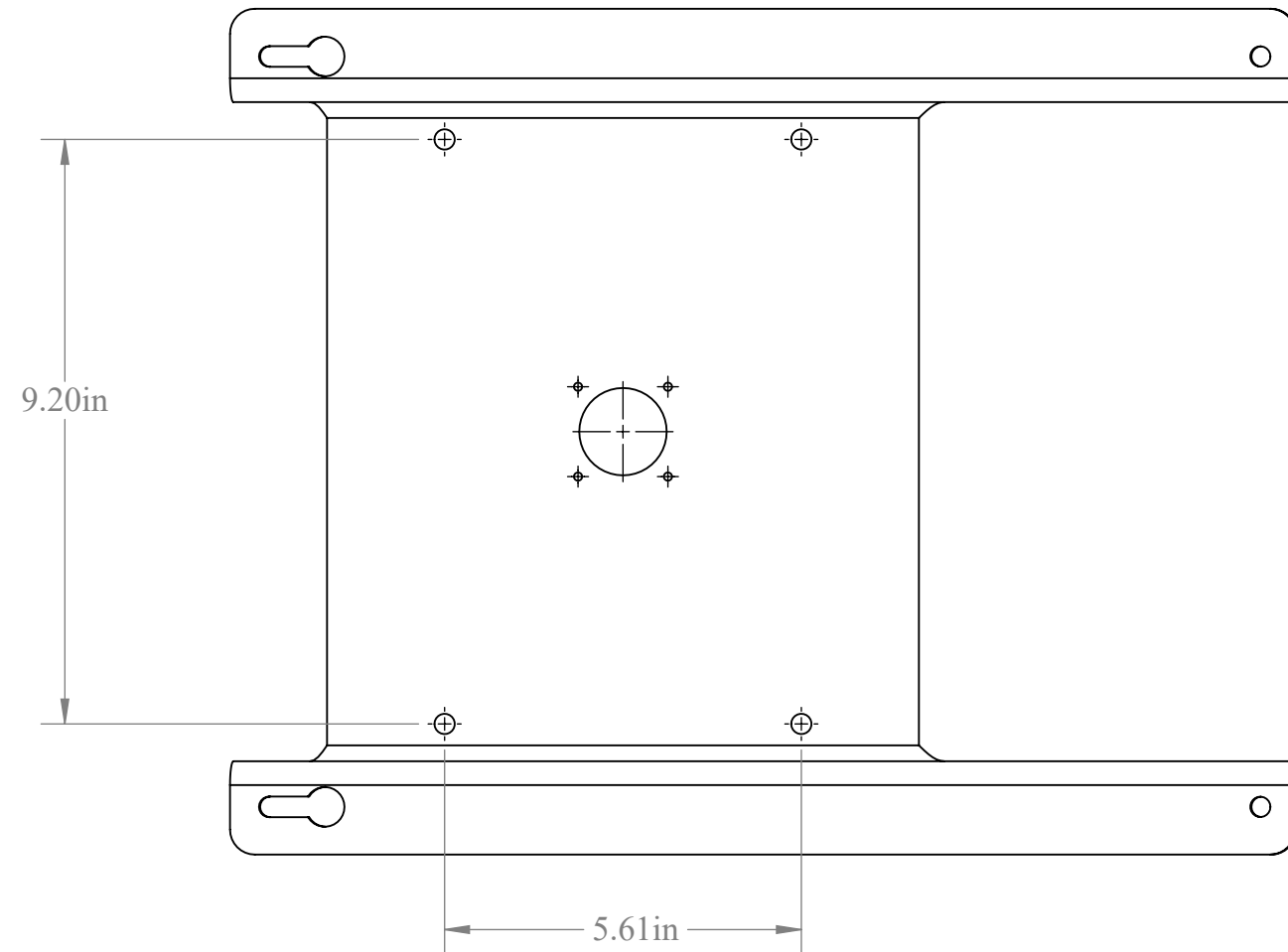
SVSLWB

For help e-mail
info@seaviewglobal.com
ph. 1-800-655-7922

INSTALLATION INSTRUCTIONS BEGIN ON NEXT PAGE

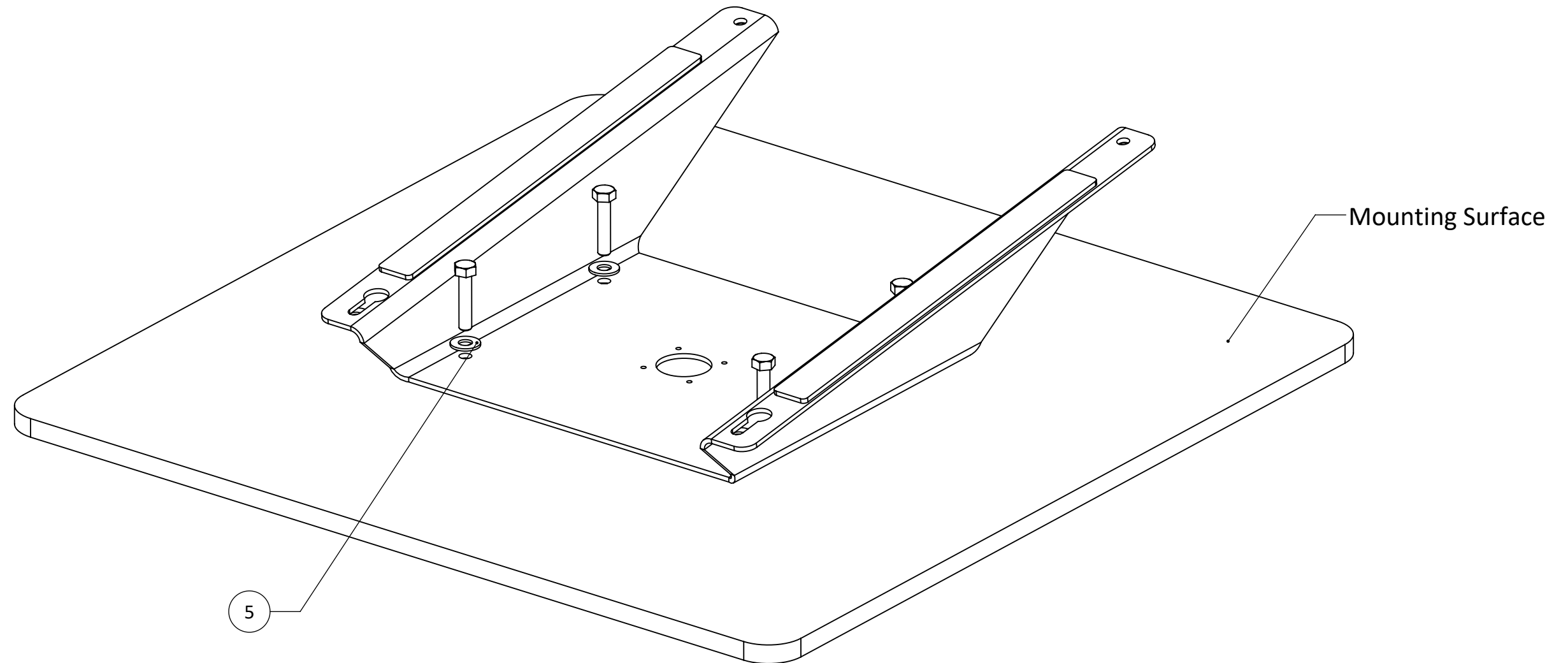
For help e-mail
info@seaviewglobal.com
ph. 1-800-655-7922

1 Using the wedge base as a guide, mark and drill the 4 holes in the desired mounting location. Please note where the cable is routed when deciding. It is recommended that the low end of the wedge faces forward.



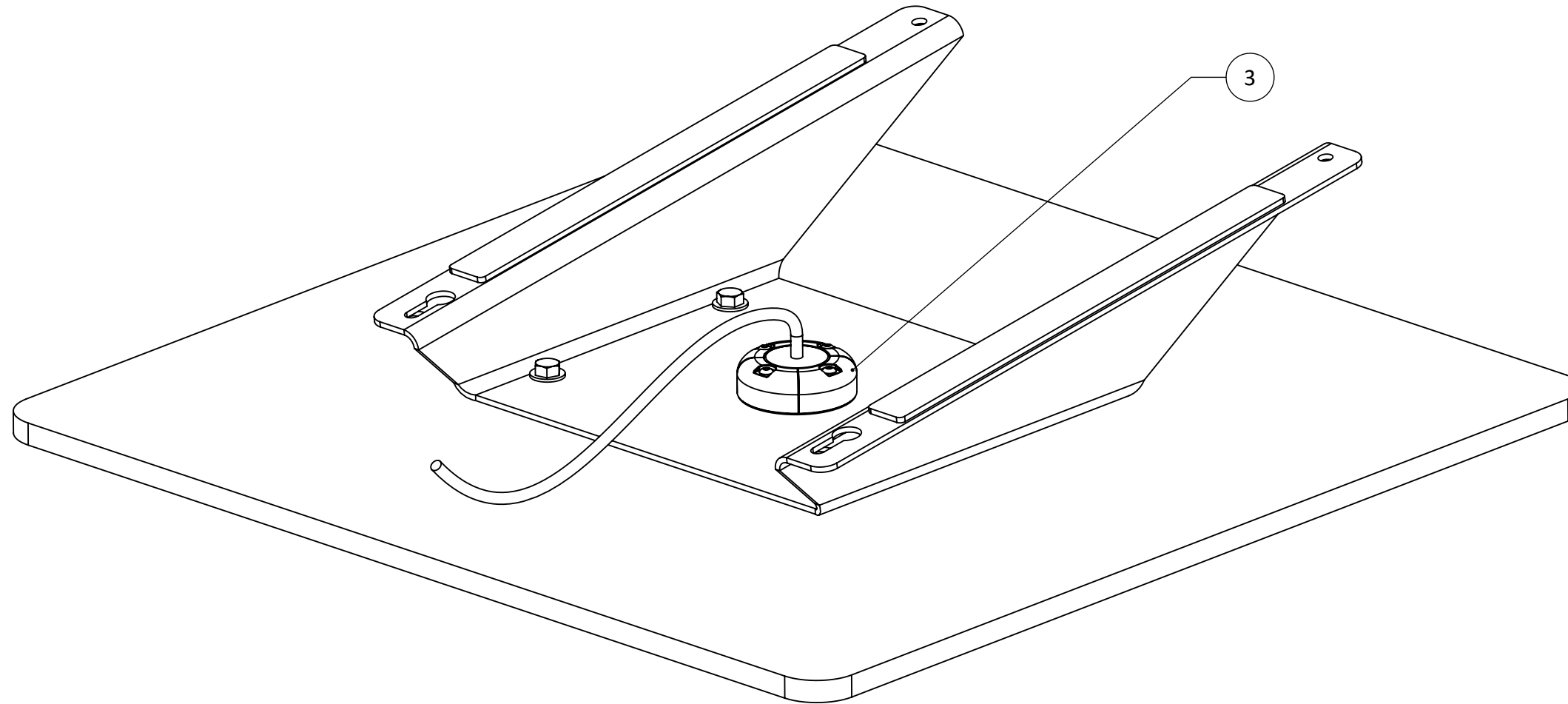
For help e-mail
info@seaviewglobal.com
ph. 1-800-655-7922

2 Using nylon washers, or item **5** in the BOM, bolt the wedge base down using nyloc nuts (or similar). Due to varying mounting surface types and thicknesses, ensure the correct mounting bolts and hardware are used.



For help e-mail
info@seaviewglobal.com
ph. 1-800-655-7922

3 Route antenna cable through provided cable seal (BOM item **3**). Please note that the holes in the wedge base are tapped to receive the cable seal. All cable seal hardware is included. For more specific cable seal instructions refer to the following link: [click here](#)



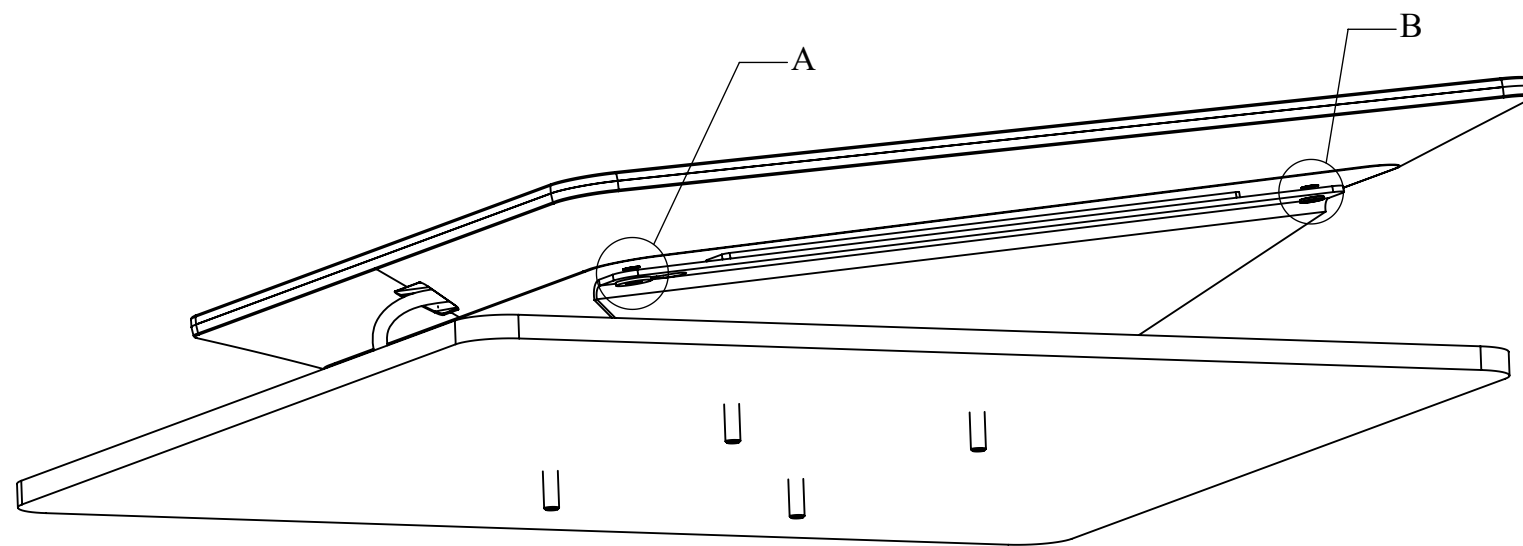
For help e-mail
info@seaviewglobal.com
ph. 1-800-655-7922

4A

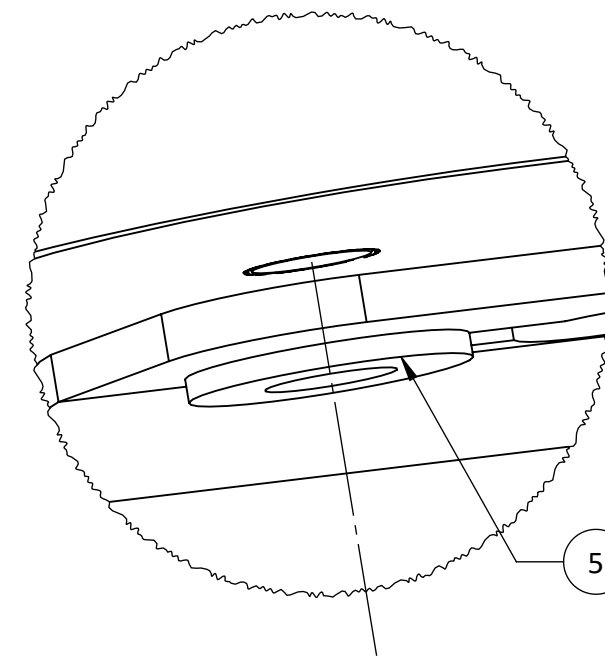
This step applies to the Starlink Flat HP antenna installed on Seaview wedge base **SVSLWB**. If you have Seaview kit **SRM200WB8**, skip to step 4B.



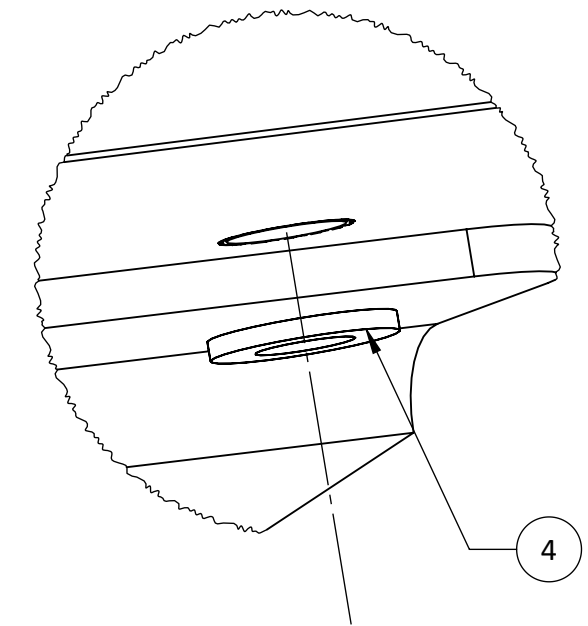
When installing the Starlink Flat HP, line up the antenna with the wedge mounting holes. With antenna resting on the wedge, ensure washers (BOM items **4** & **5**) are in place before securing antenna. Use Starlink provided hardware to secure antenna to wedge base. If hardware is not provided, please use 1/4"-20 bolts of appropriate length.



DETAIL A

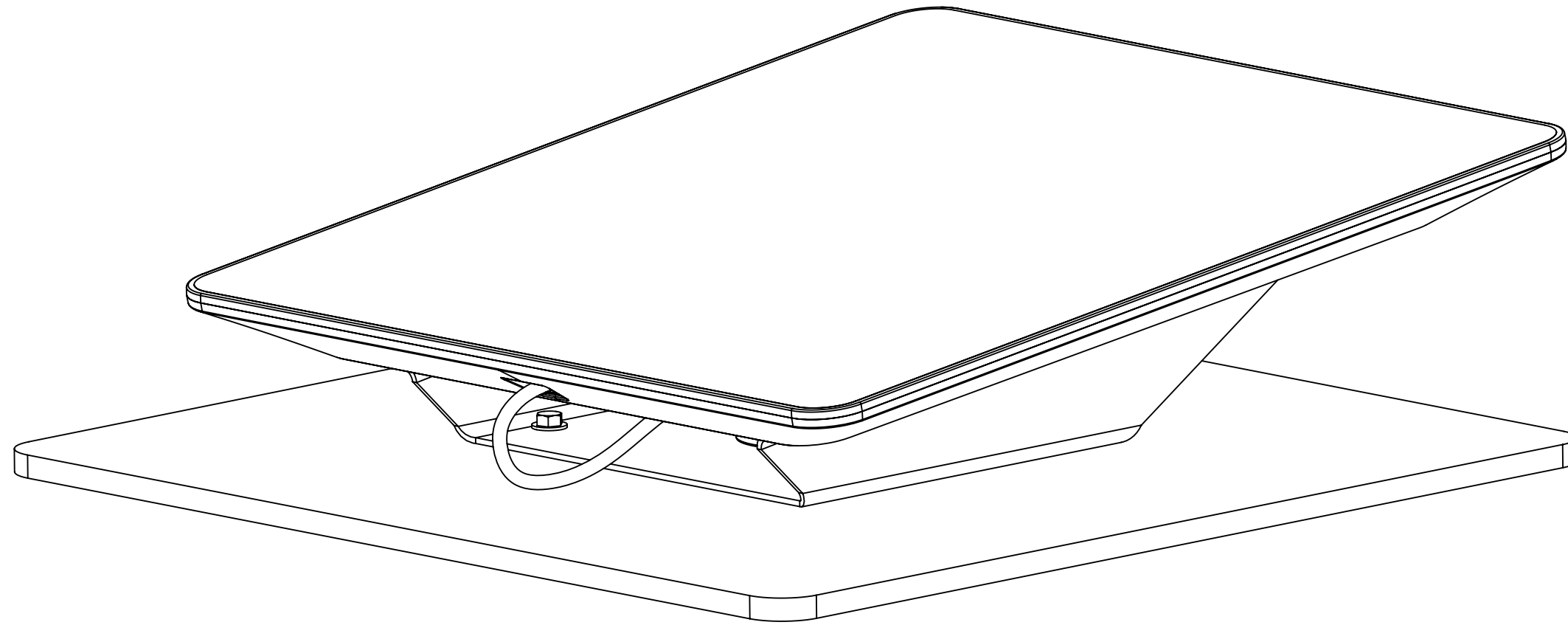


DETAIL B



For help e-mail
info@seaviewglobal.com
ph. 1-800-655-7922

4A.1



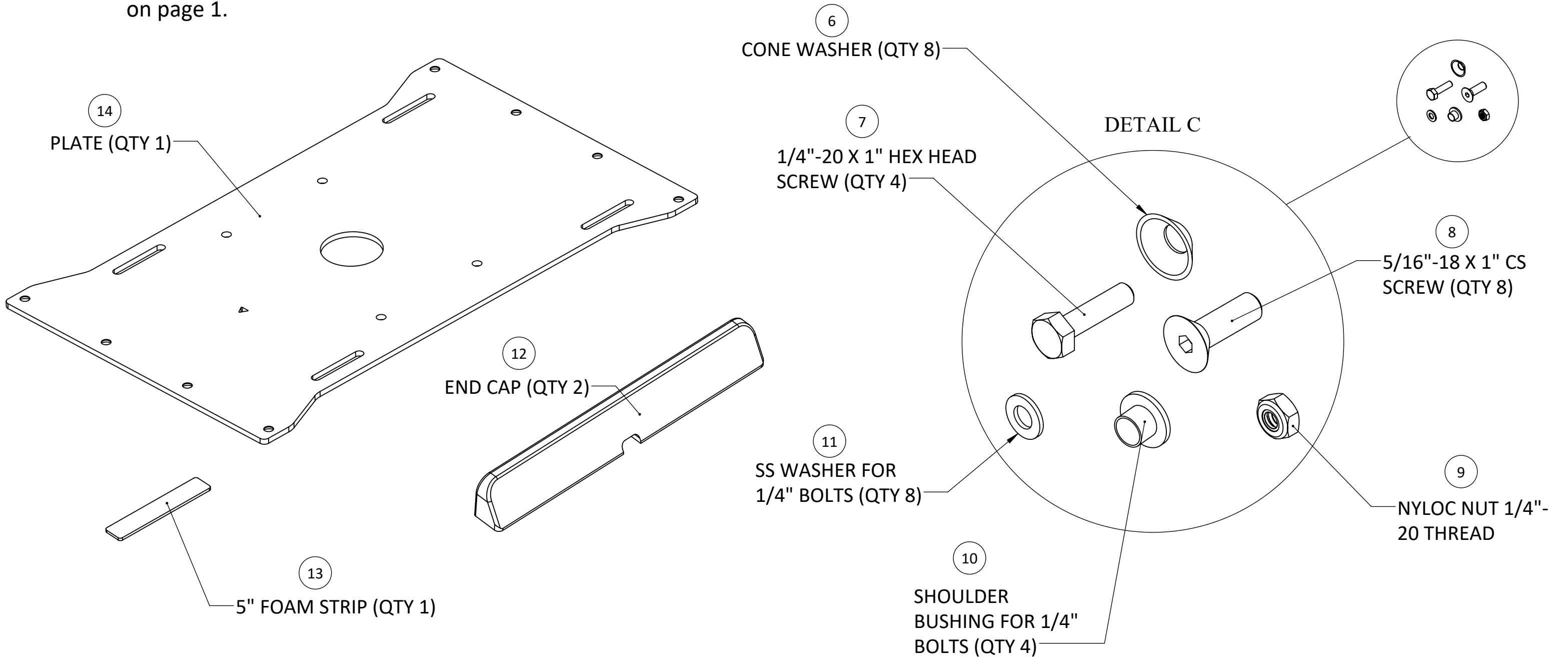
For help e-mail
info@seaviewglobal.com
ph. 1-800-655-7922

4B

This step applies to the Gen 3 Starlink installed on the wedge base using Seaview **SRM200WB8** kit.

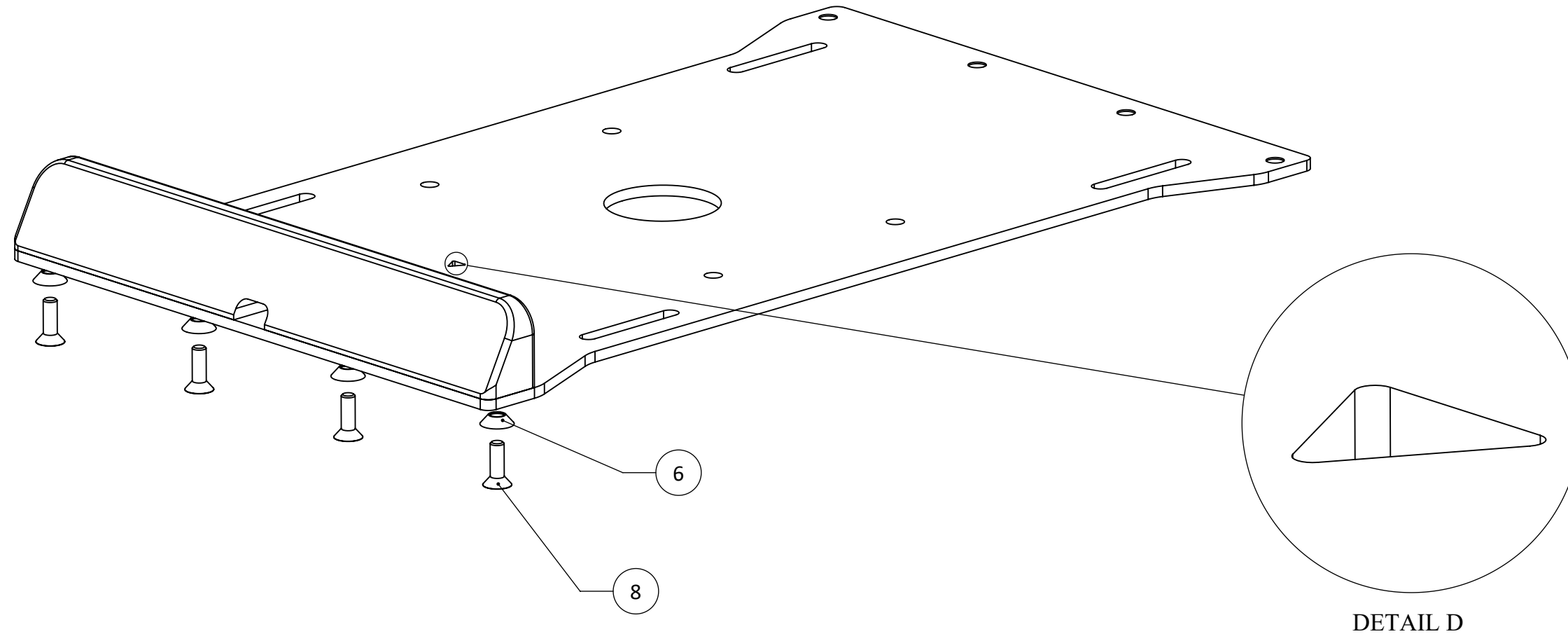


Below are the additional items provided with the **SRM200WB8** kit that are NOT listed in the wedge base BOM on page 1.



For help e-mail
info@seaviewglobal.com
ph. 1-800-655-7922

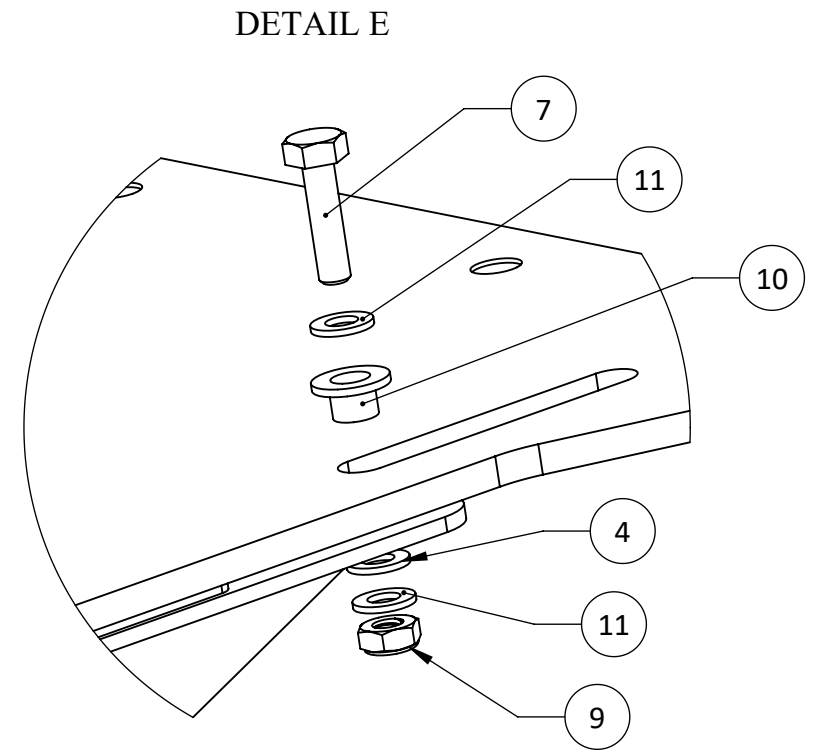
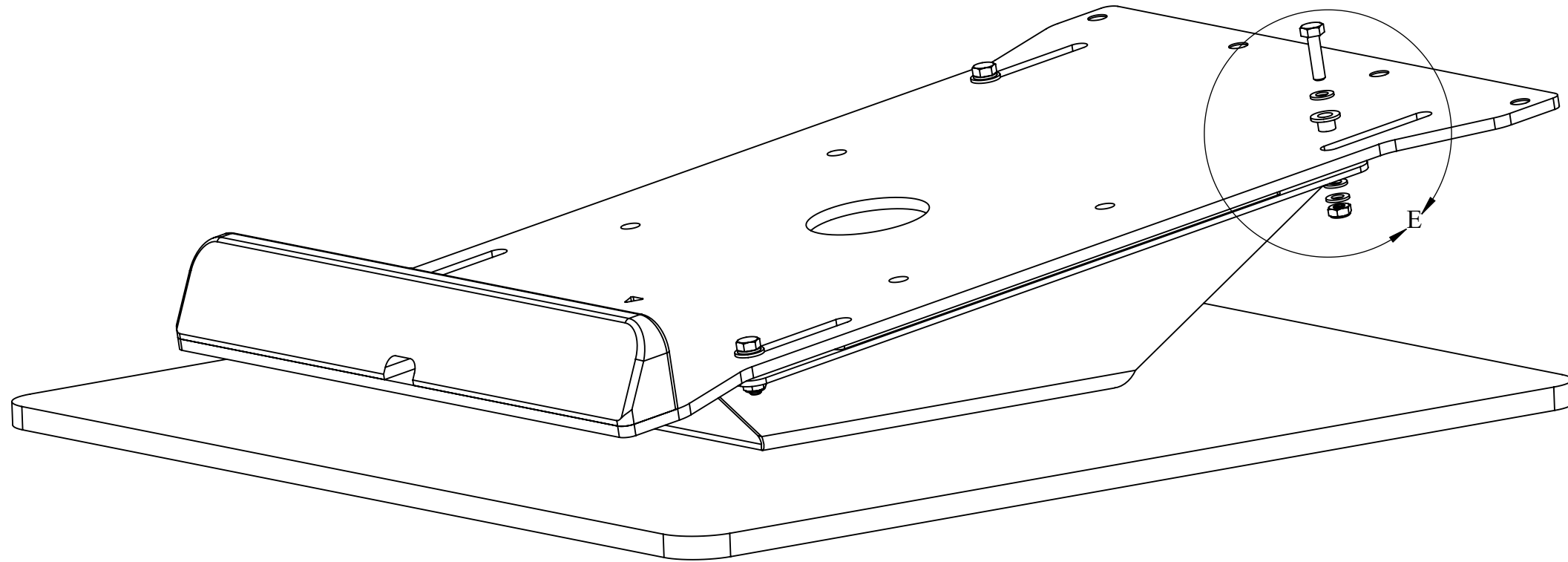
4B.1 Using the cone washers (item 6 from page 9) & the countersunk screws (item 8 from page 9), install one end cap forward facing on the plate. A small triangle on the plate indicates forward direction as shown in detail D.



For help e-mail
info@seaviewglobal.com
ph. 1-800-655-7922

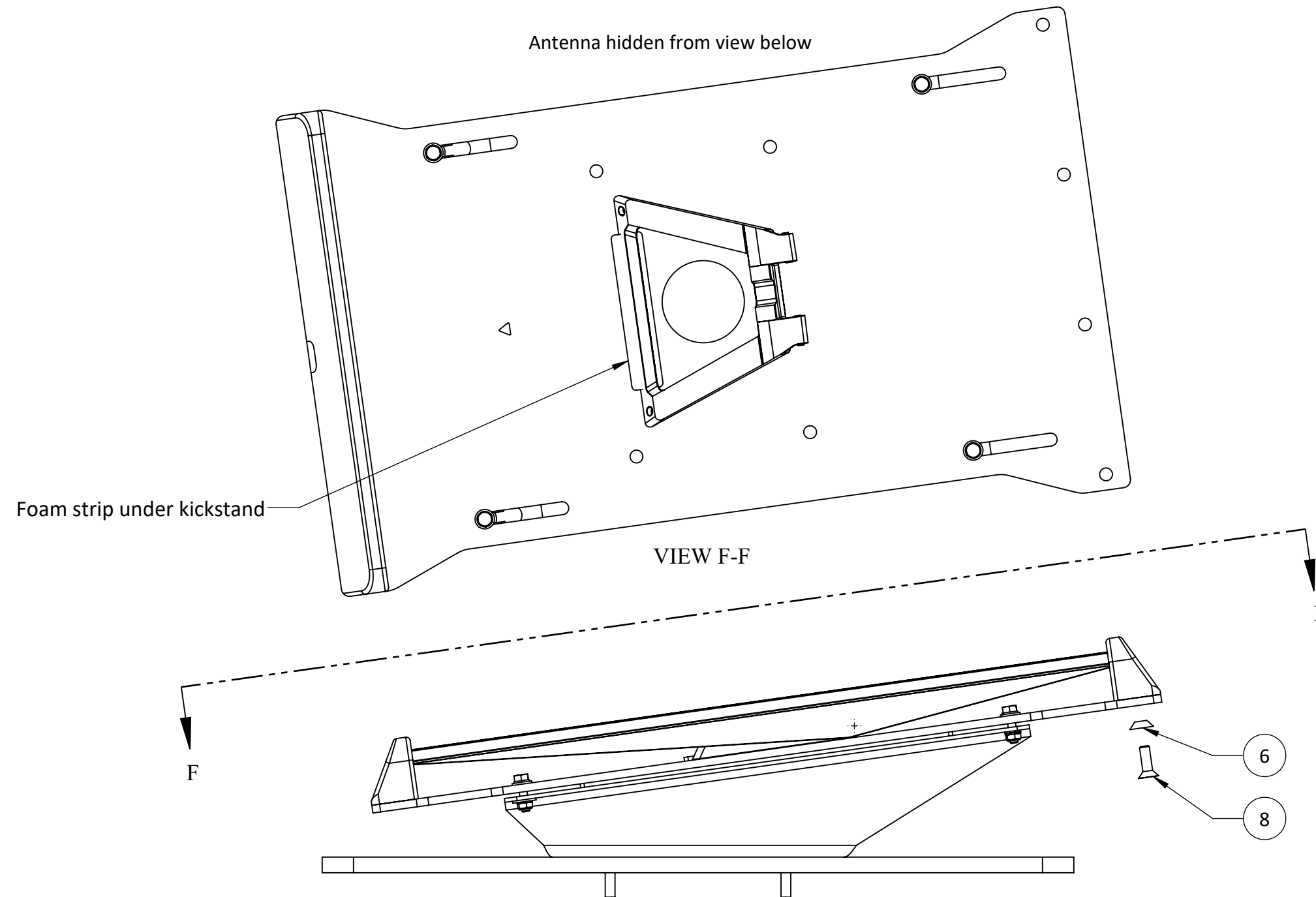
4B.2 With one end cap secured to the plate, and the wedge base installed from step 3 (page 6), line up the plate slots with the wedge base mounting holes and slots as shown below. Bolt the plate down to the wedge base using items (7), (10)

(11), (4), (11), & (9).



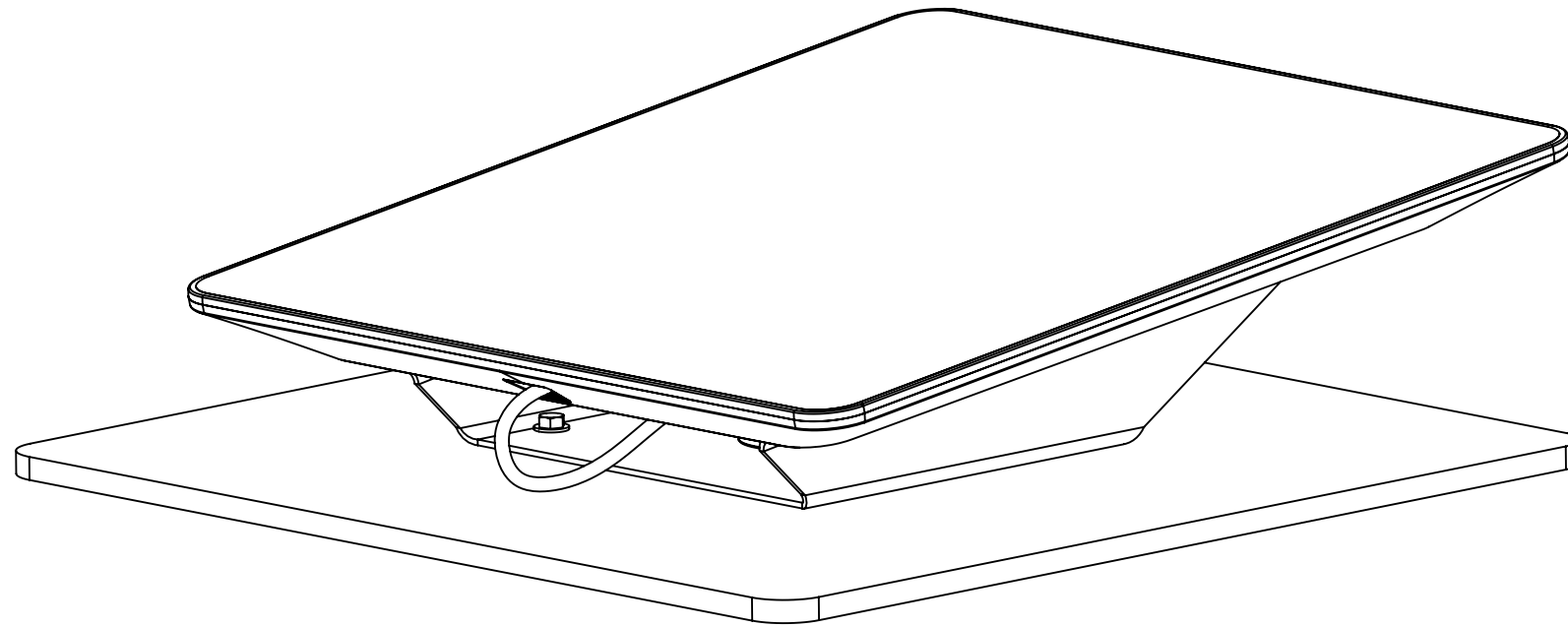
For help e-mail
info@seaviewglobal.com
ph. 1-800-655-7922

4B.3 Please keep the kickstand in the Gen 3 antenna, and mark where it touches the plate. Once you have marked that location, place the foam strip there. Then, slide the antenna into the forward end cap, and bolt the second end cap on the aft side using items **6** & **8**.

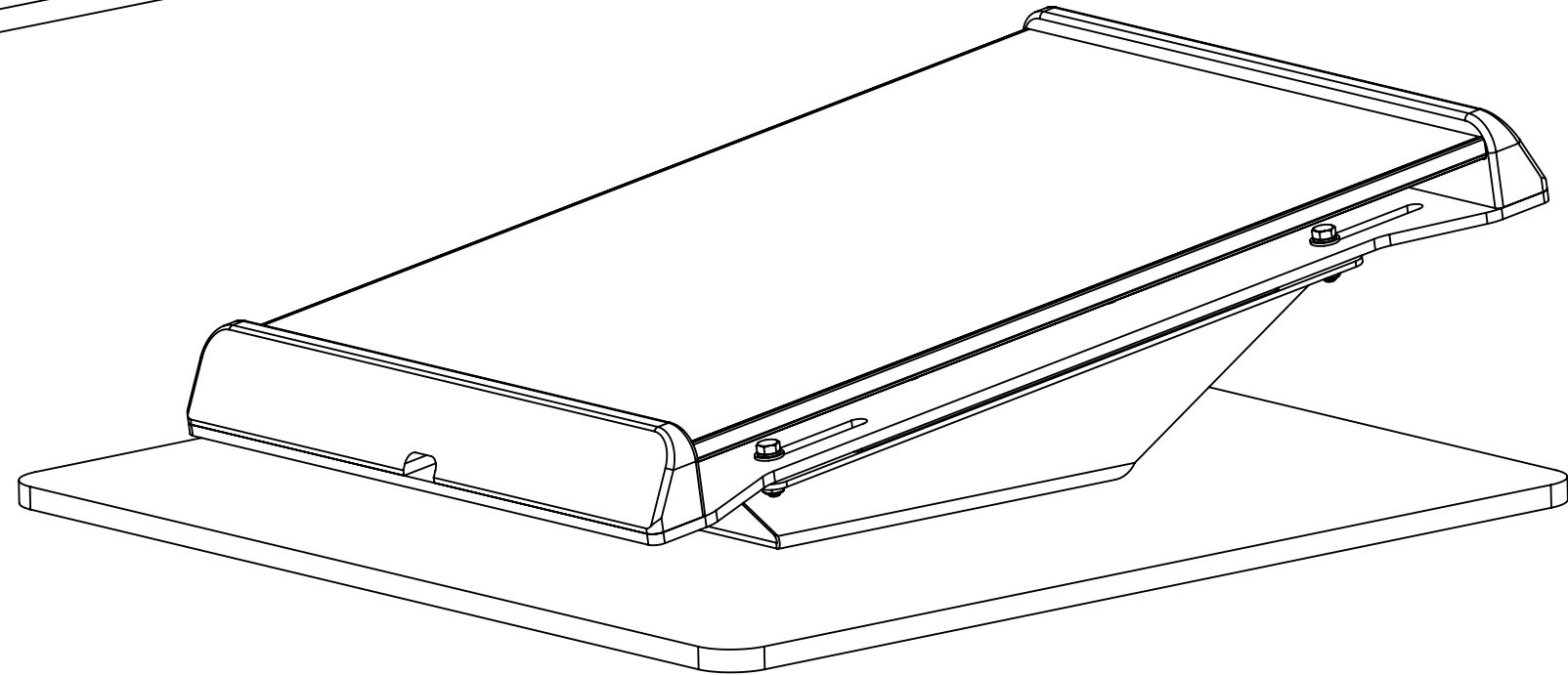


For help e-mail
info@seaviewglobal.com
ph. 1-800-655-7922

SVSLWB (ANTENNA NOT INCLUDED IN KIT)



SRM200WB8 (ANTENNA NOT INCLUDED IN KIT)



For help e-mail
info@seaviewglobal.com
ph. 1-800-655-7922