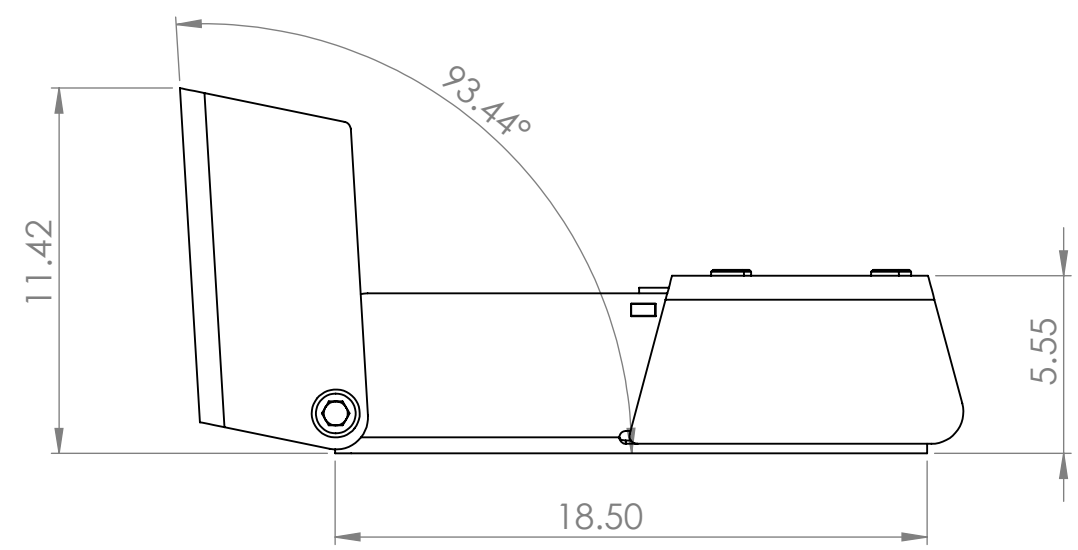
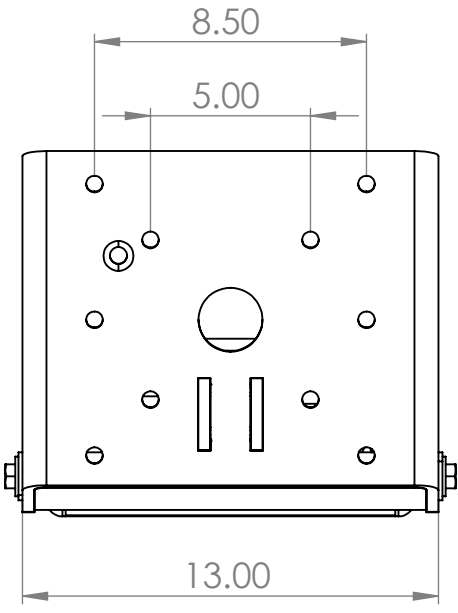


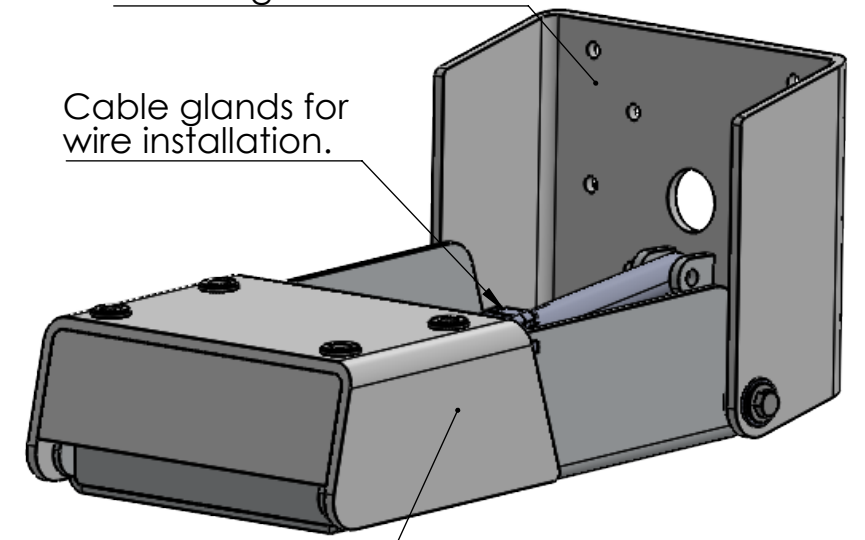
8 7 6 5 4 3 2 1

D



Fits both 7" and 10" base plates with 5" and 8.5" mounting holes.

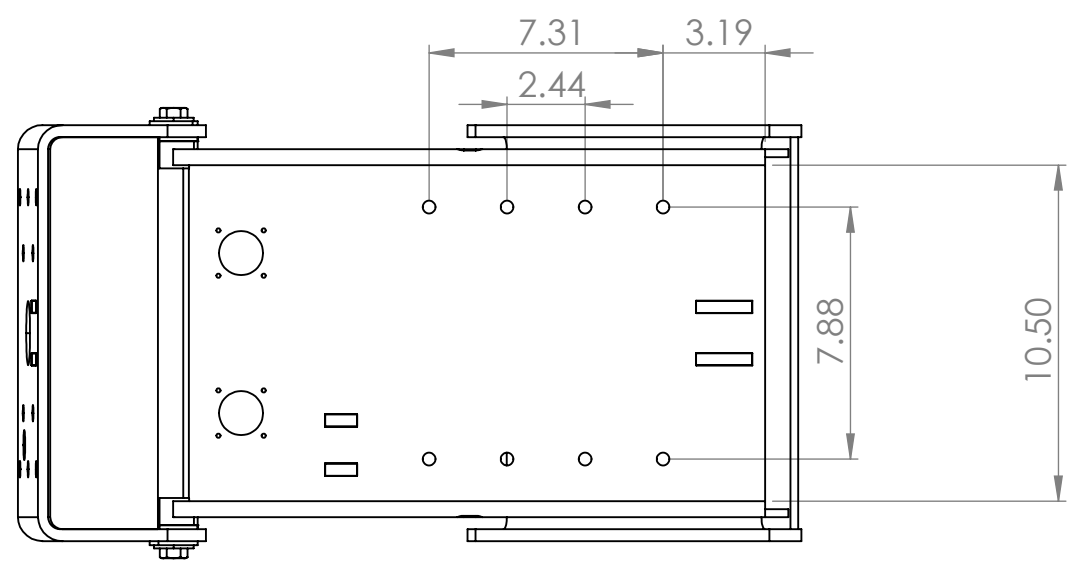
Cable glands for wire installation.



Removable lid for servicing actuator if needed.

C

B



A

PROPRIETARY AND CONFIDENTIAL
 THE INFORMATION CONTAINED IN THIS DRAWING IS THE SOLE PROPERTY OF SEAVIEW. ANY REPRODUCTION IN PART OR AS A WHOLE WITHOUT THE WRITTEN PERMISSION OF SEAVIEW IS PROHIBITED.

		UNLESS OTHERWISE SPECIFIED:		NAME	DATE
		DIMENSIONS ARE IN INCHES		DRAWN	J.A. 11.17.20
		TOLERANCES:		CHECKED	
		FRACTIONAL ±		ENG APPR.	
		ANGULAR: MACH ± BEND ±		MFG APPR.	
		TWO PLACE DECIMAL ±.01		Q.A.	
		THREE PLACE DECIMAL ±.003		COMMENTS:	
		INTERPRET GEOMETRIC TOLERANCING PER:			
		MATERIAL		Aluminum	
		FINISH		Powder coated	
NEXT ASSY	USED ON				
APPLICATION		DO NOT SCALE DRAWING			
			TITLE: Actuated hinge base		
SIZE	DWG. NO.	REV			
B	SVEHB1	A			
SCALE: 1:6		WEIGHT:	SHEET 1 OF 1		

8 7 6 5 4 3 2 1