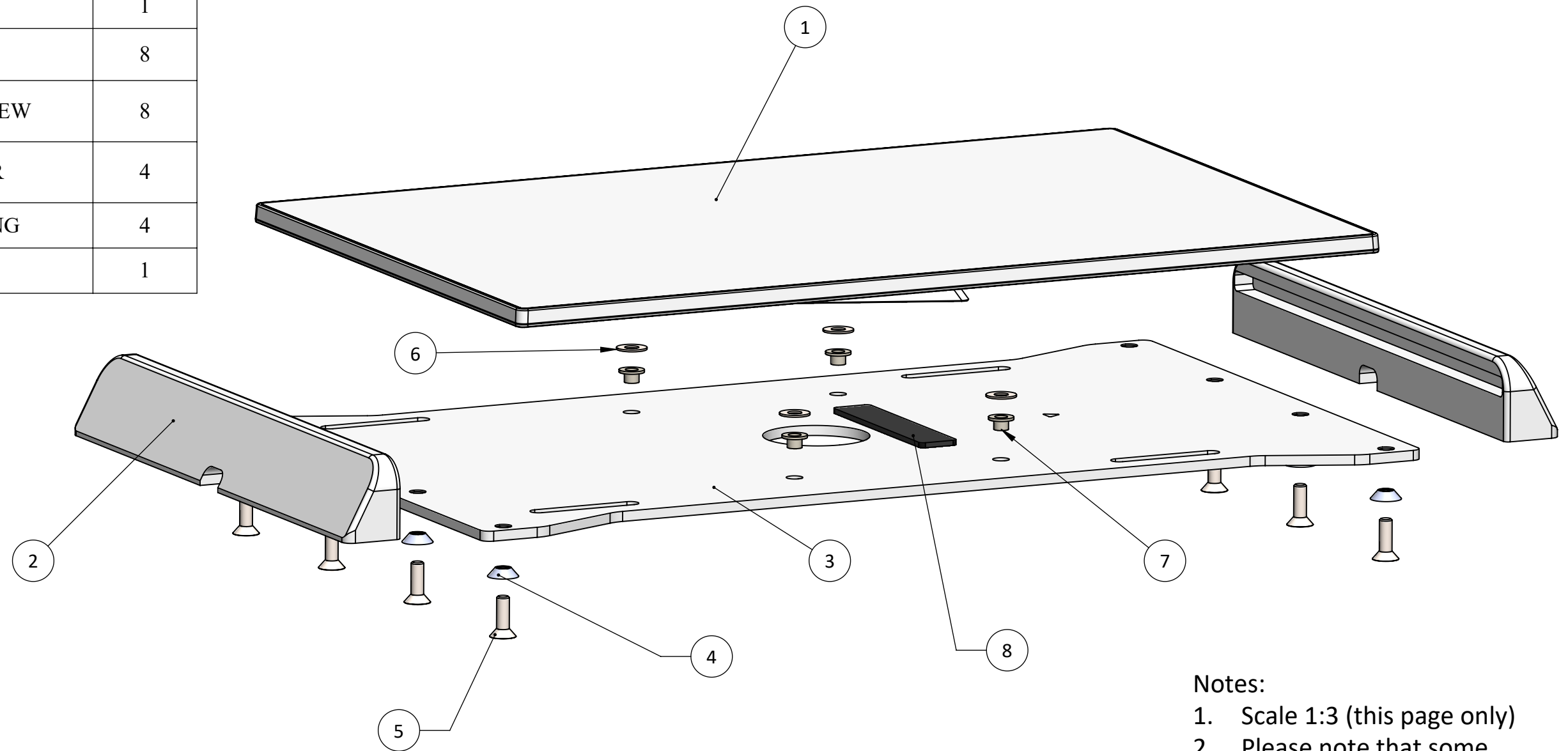


ITEM NO.	DESCRIPTION	QTY.
1	STARLINK GEN 3 (NOT INCLUDED)	1
2	END CAP	2
3	PLATE	1
4	CONE WASHER	8
5	5/16"-18 X 1" CS SCREW	8
6	SS FLAT WASHER	4
7	SHOULDER BUSHING	4
8	5" FOAM STRIP	1

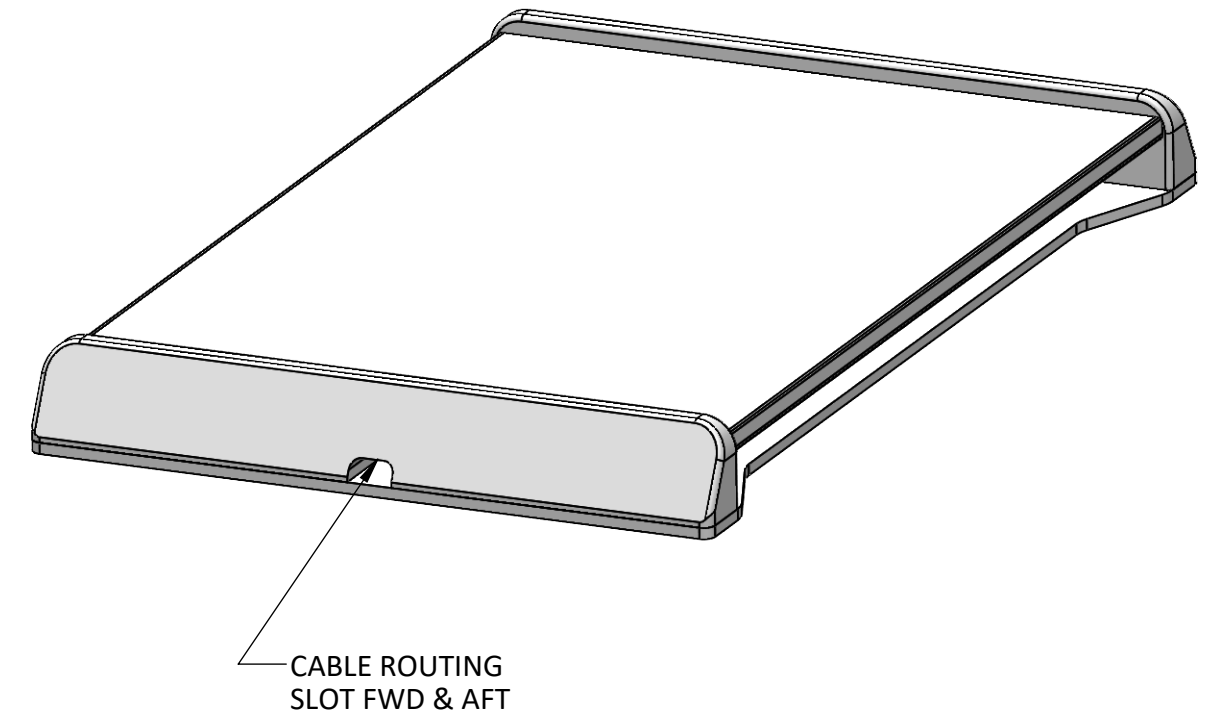
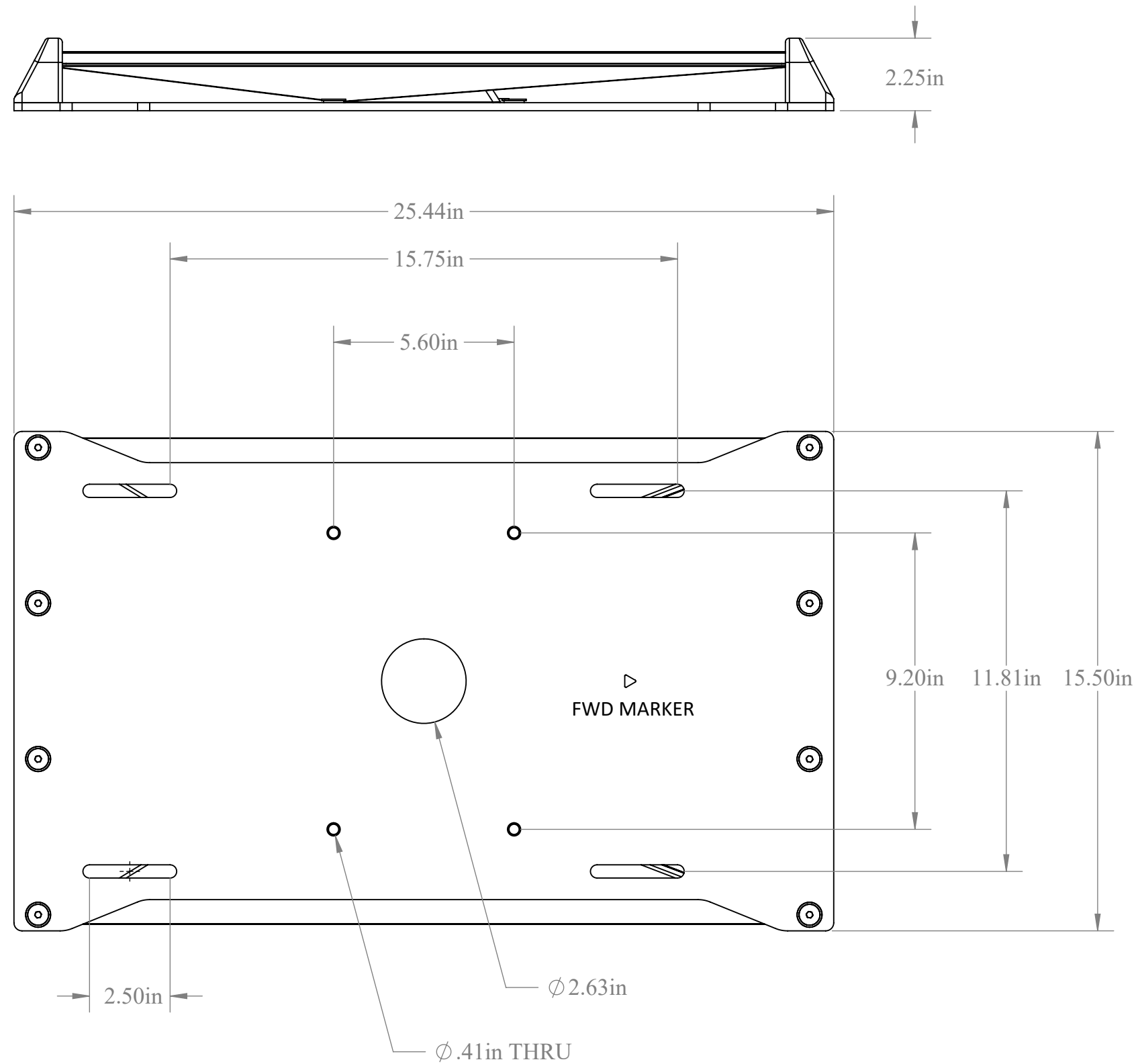


Notes:

1. Scale 1:3 (this page only)
2. Please note that some dimensions may not be shown (applies to all pages)
3. Do not scale drawing (applies to all pages)

SRM200W

For help e-mail
info@seaviewglobal.com
 ph. 1-800-655-7922



- Notes:
1. Scale 1:4 (this page only)
 2. Slots on plate may be used to gain extra aft clearance depending on mounting arrangement

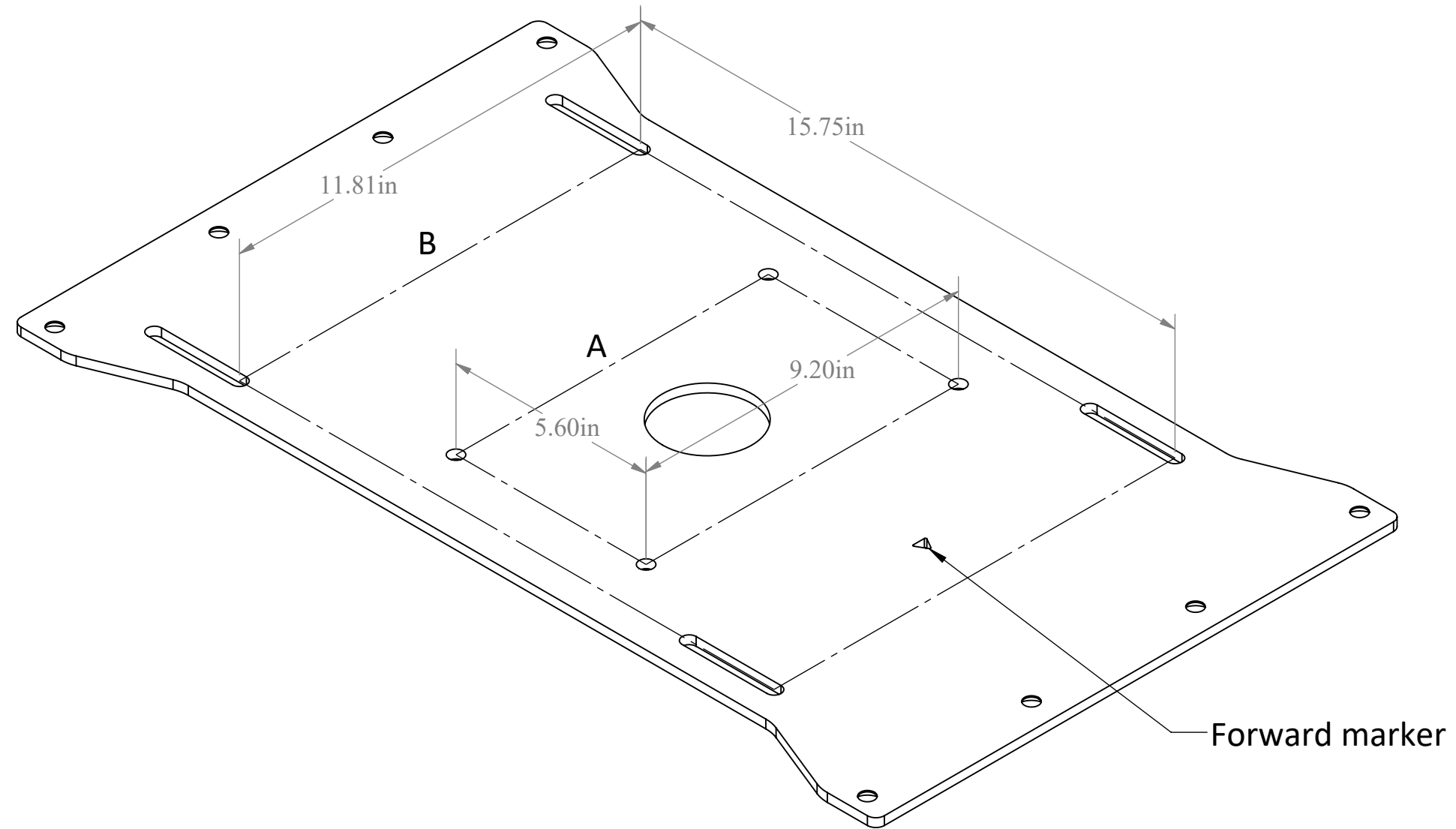
SRM200W

For help e-mail
info@seaviewglobal.com
 ph. 1-800-655-7922

INSTALLATION INSTRUCTIONS BEGIN ON NEXT PAGE

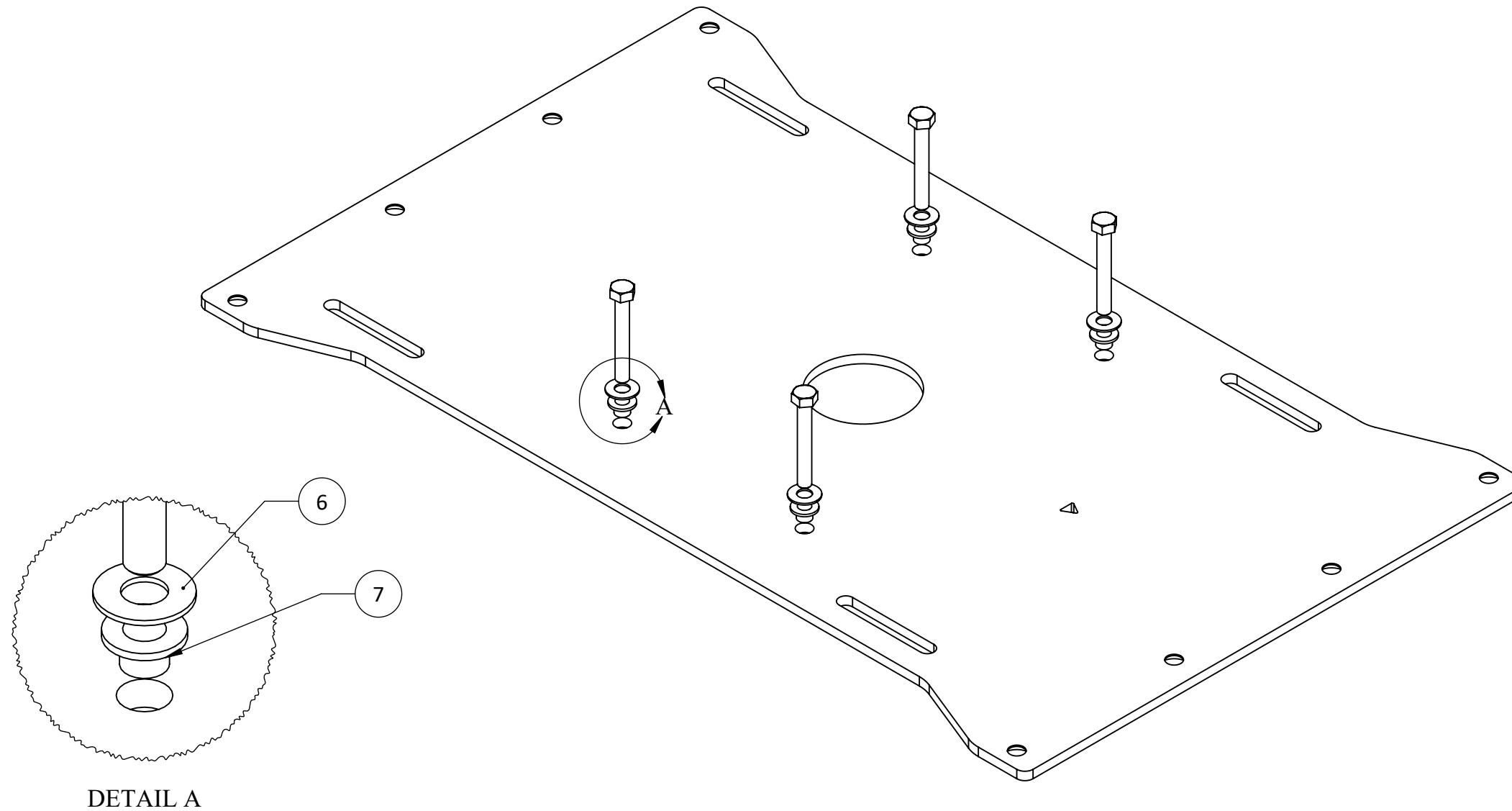
For help e-mail
info@seaviewglobal.com
ph. 1-800-655-7922

1 Begin by marking and drilling holes in the desired mounting location. Be mindful of where you would like the Starlink Gen 3 cable to enter your mounting surface. Please note the forward marker on the plate itself. You may mount using hole patterns A or B.



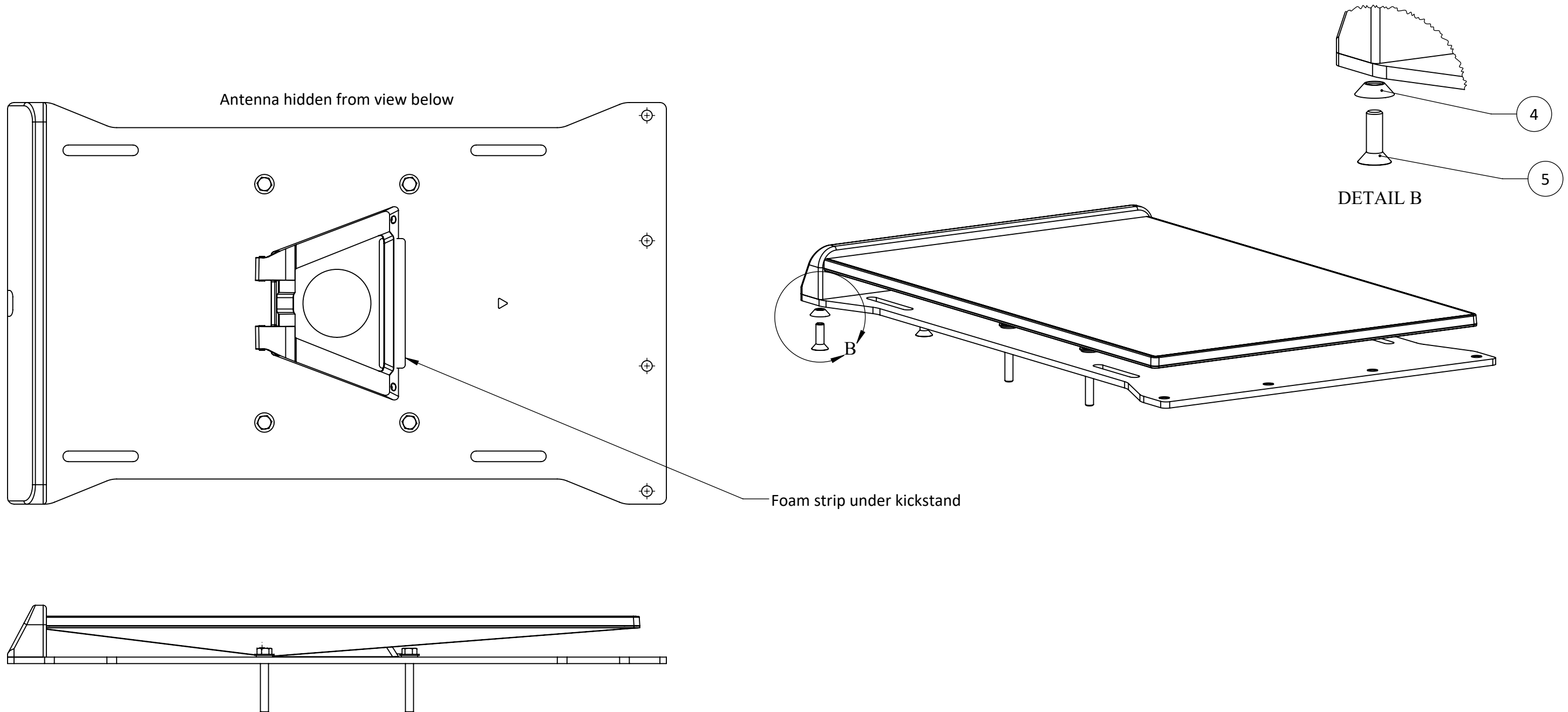
For help e-mail
info@seaviewglobal.com
ph. 1-800-655-7922

2 Next, place shoulder bushings (7), then SS flat washers (6) into the desired mounting holes. Drop bolts through the holes prior to securing mount to mounting surface (mounting bolts not included due to varying mounting surface thicknesses).



For help e-mail
info@seaviewglobal.com
ph. 1-800-655-7922

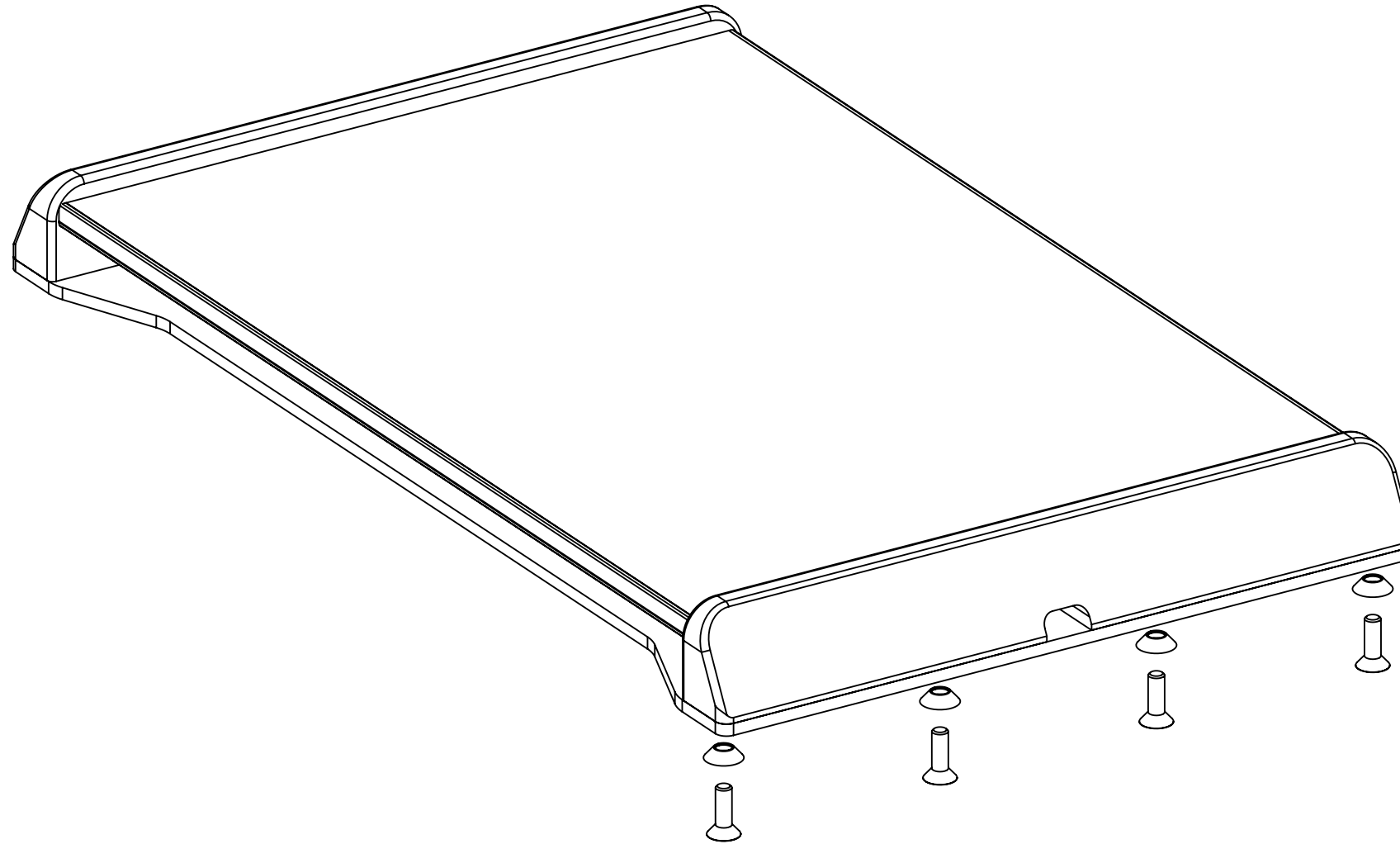
- 3** Bolt one end cap to the Aluminum plate using all of items (4) and (5).
Then insert antenna into the end cap noting the cable exit location. Please keep the kickstand in the Gen 3 antenna, and mark where it touches the plate. Once you have marked that location, place the foam strip there. Mounting bolts should still be hanging from mount at this point



For help e-mail
info@seaviewglobal.com
ph. 1-800-655-7922

4 Bolt the other end cap using the same items from the previous installation step.

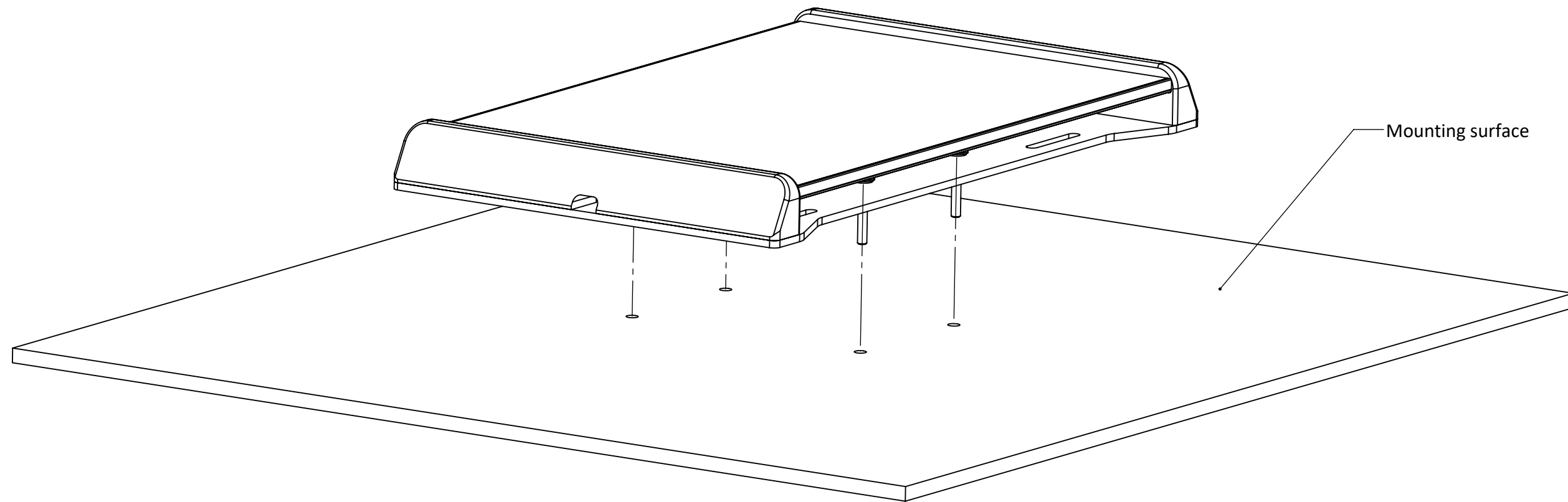
SEAVIEW



For help e-mail
info@seaviewglobal.com
ph. 1-800-655-7922

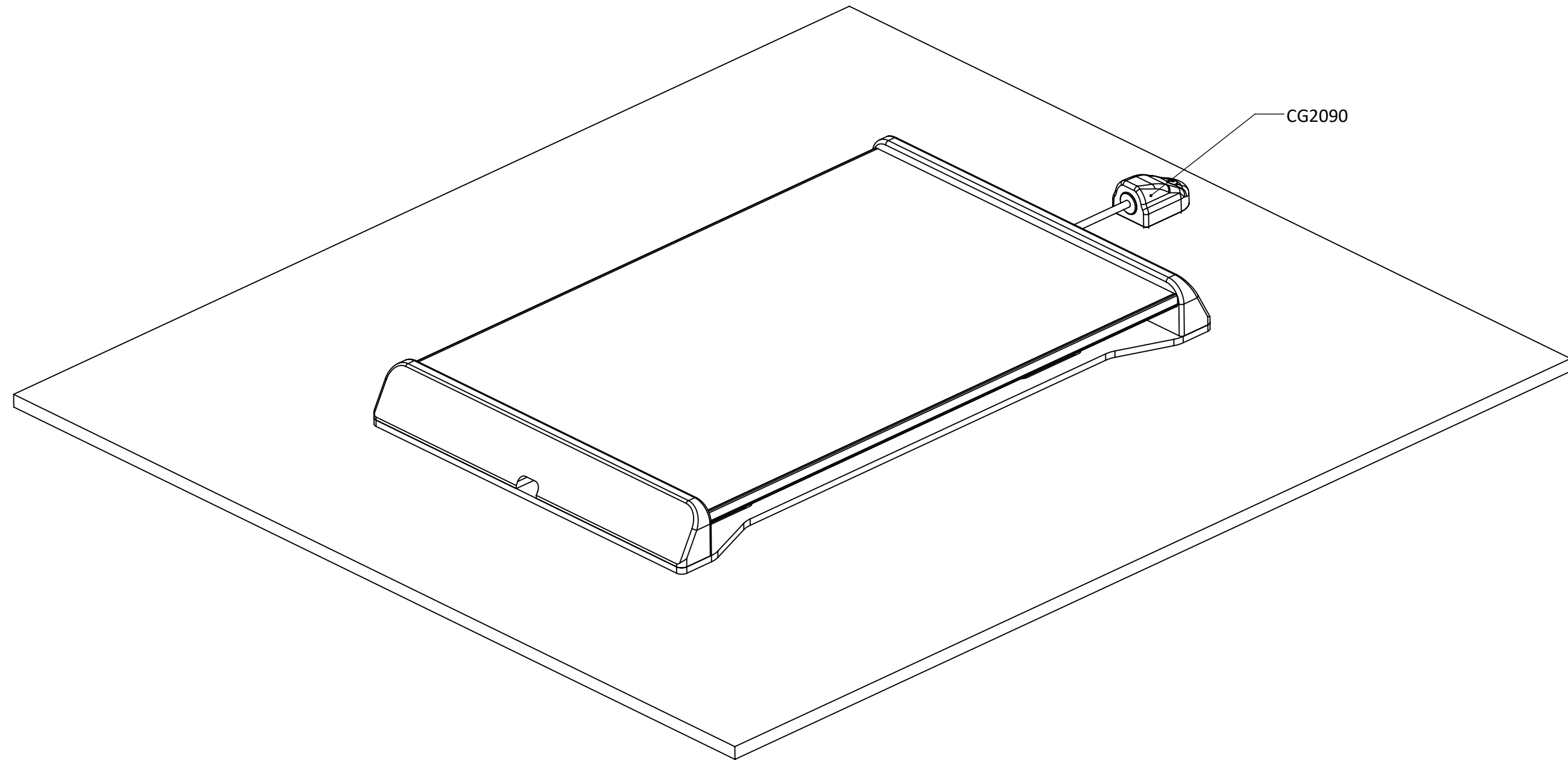
5 Drop the mounting screws hanging from assembled mount through the pre-drilled holes. Secure bolts on underside of mounting surface using nyloc nut (or similar). Mounting surfaces may vary, so ensure the correct hardware is used.

SEAVIEW



For help e-mail
info@seaviewglobal.com
ph. 1-800-655-7922

6 OPTIONAL: Route Starlink Gen 3 cable into mounting surface using Seaview cable seal (sold separately).



For help e-mail
info@seaviewglobal.com
ph. 1-800-655-7922