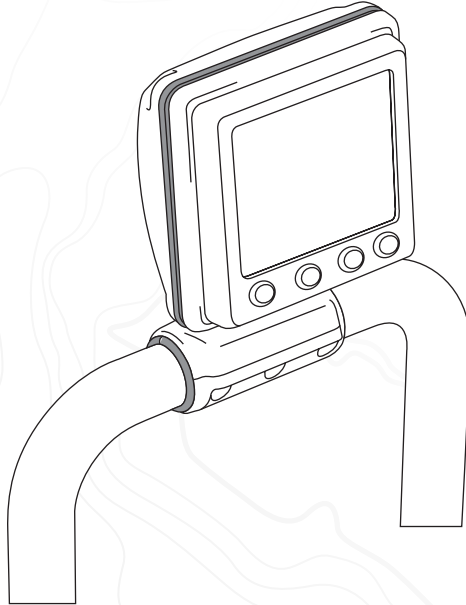


SEAVIEW

ELEVATE YOUR ELECTRONICS



INSTALLATION INSTRUCTIONS

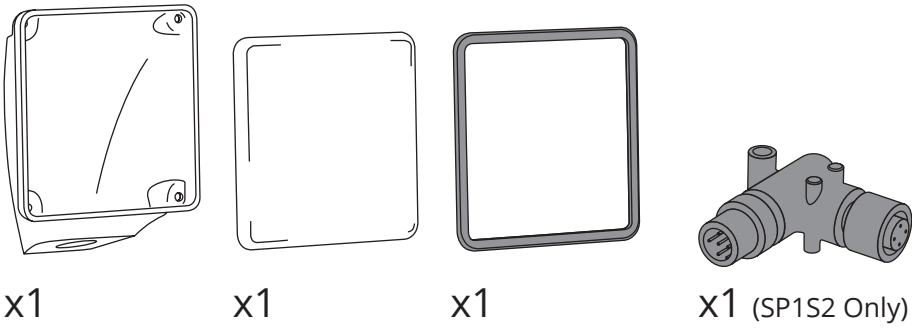
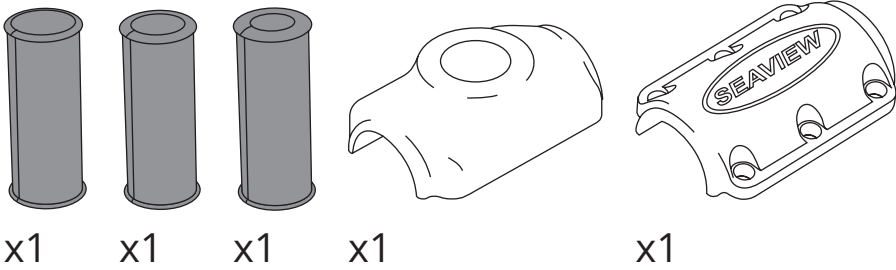
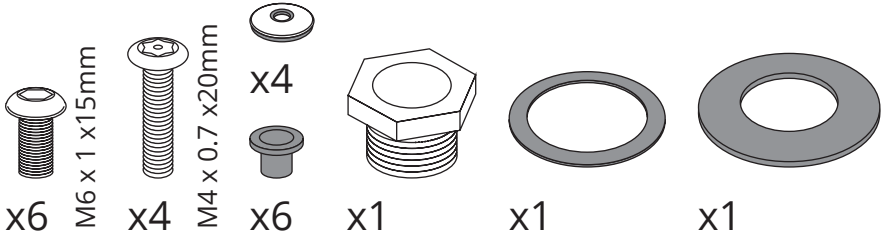
For Seaview Instrument Pod:

SP1S, SP1S2

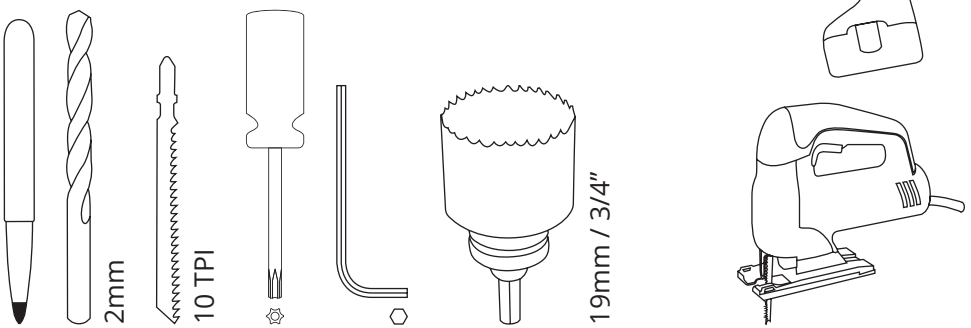
Refer to website for most up to
date instructions and videos.

WWW.SEAVIEWGLOBAL.COM

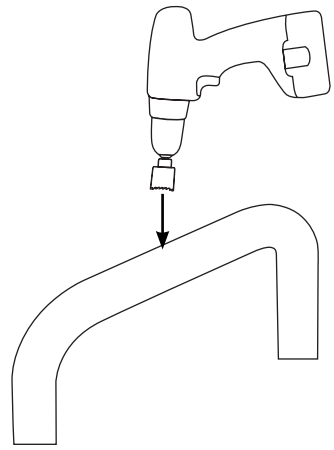
PARTS INCLUDED



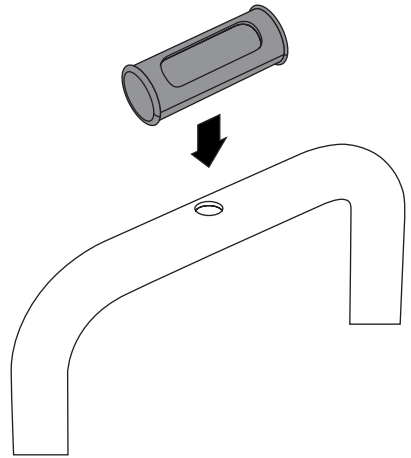
TOOLS NEEDED



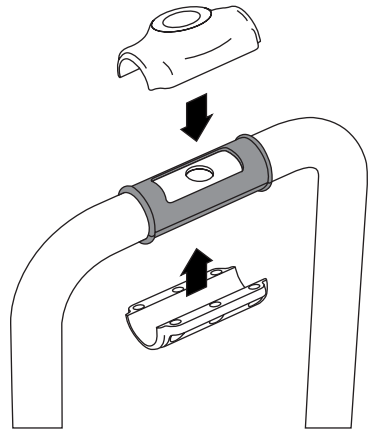
1 Using a 1" hole saw drill a hole into the rail.



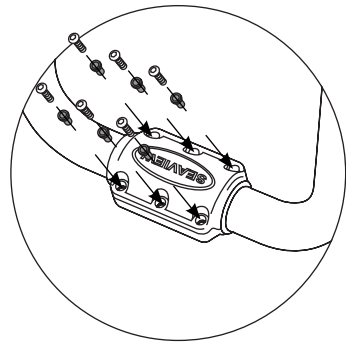
2 Place the rubber grommet onto the rail. Make sure that the opening in the rubber grommet is around the hole that you just drilled.



3 Place the stainless steel clamp around the rubber grommet.



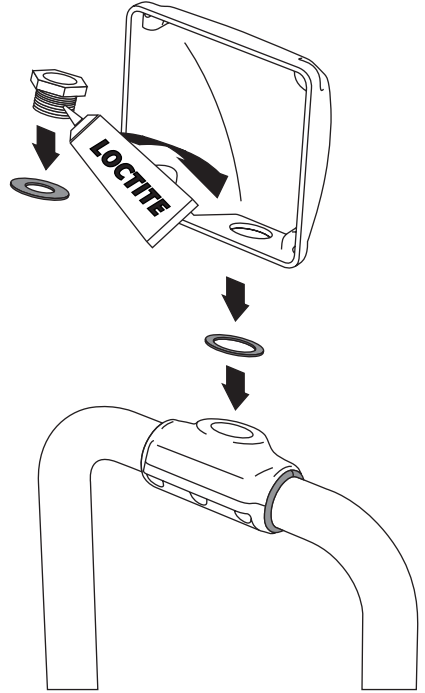
4 Using an allen wrench secure the stainless steel clamp with the six black shoulder washers and bolts.



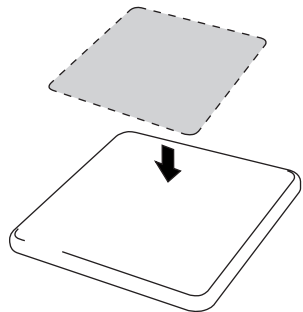
M6 x 1 x 15mm

A diagram showing a bolt and a shoulder washer. The bolt is labeled with the dimensions 'M6 x 1 x 15mm'.

5 Apply Loctite to the threads of the large hollow bolt. Secure the outer pod box shell to the clamp using the large hollow bolt. Use the two rubber grommets as indicated here.

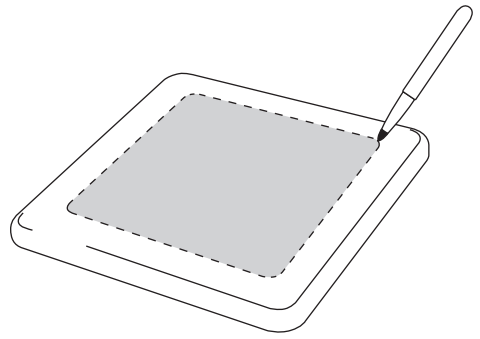


6 Place the template for your electronic instrument onto the pod face plate.



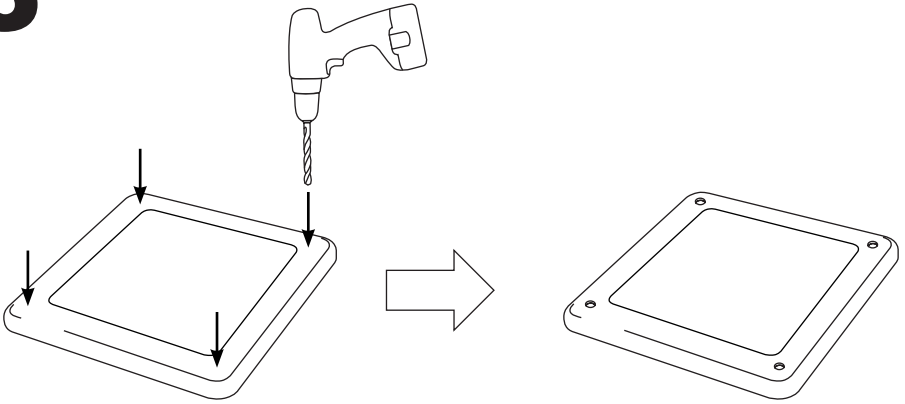
7

Trace the edge of the template.



8

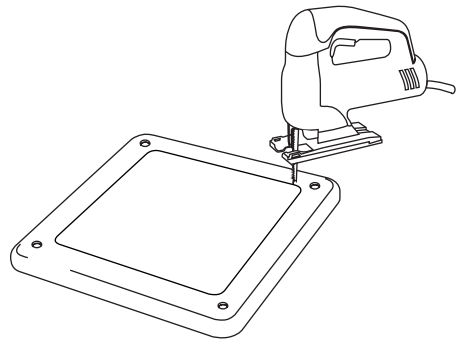
Remove the template and drill the hole(s) that will secure your electronic instrument.



9

Use a jigsaw (10 TPI blade is recommended) and cut the line that you traced.

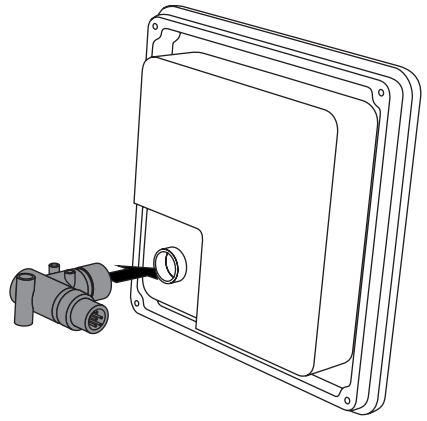
Pro Tip: Use masking tape around the area you plan to cut to avoid unwanted marks from the jigsaw.



10

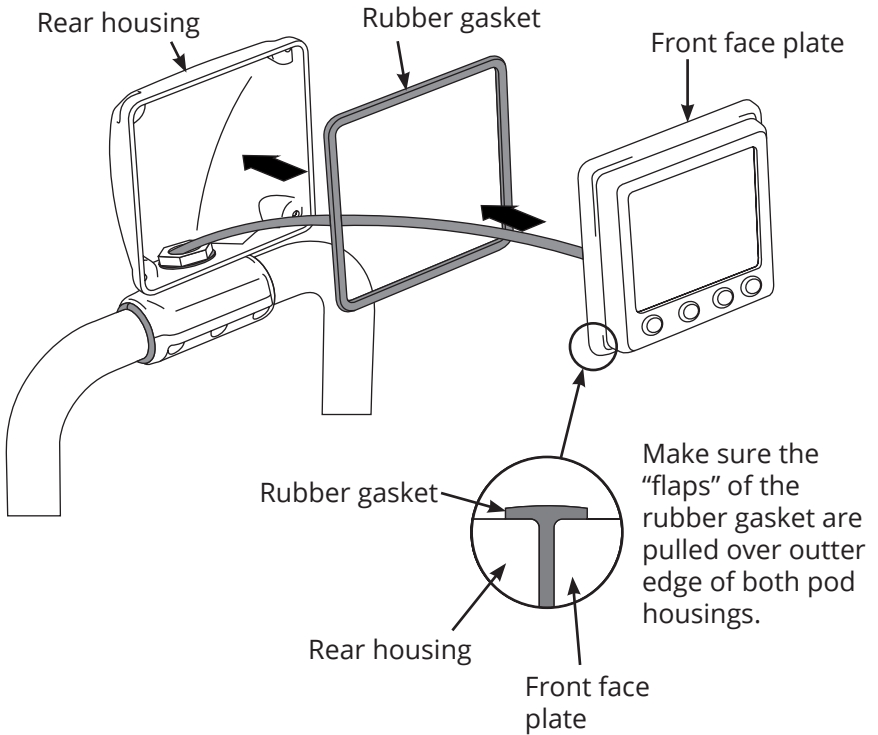
Only for SP1S2!

Plug the 90 degree connector to the back of the B&G Triton2. Then connect cable to the 90 degree connector.



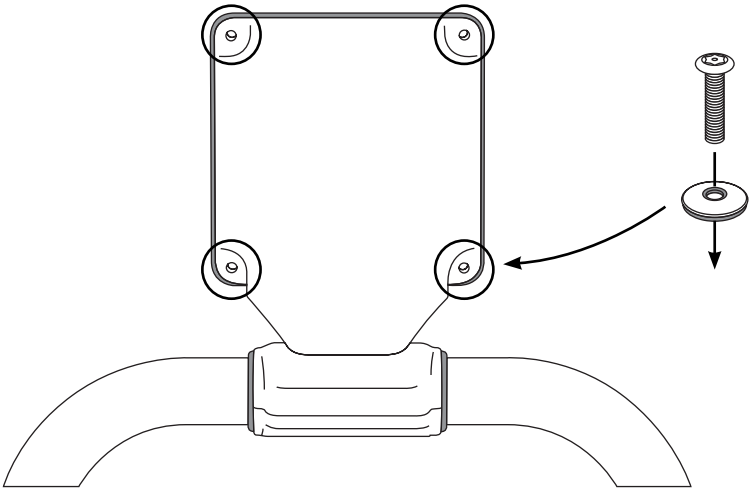
11

Route the cables through the front face plate and through the hollow stainless steel bolt. Then mount the electronic instrument to the face plate and rubber gasket. Note that the rubber gasket should already be applied to the face plate.



12

Secure the SP1-BOX2 assembly with the four tamper resistant screws and washers.



M4 x 0.7 x 20mm

The background of the entire page is a light gray topographic map with white contour lines. The lines are irregular and wavy, representing elevation changes across a landscape. The map is centered and covers the entire area.

SEAVIEW///
ELEVATE YOUR ELECTRONICS

SEAVIEW///

Tel: 800-655-7922
www.seaviewglobal.com

EUROPEAN OFFICE

Tel: +33 4 94 53 27 70
www.seaviewprogress.com

2-07052023