

SEAVIEW

ELEVATE YOUR ELECTRONICS



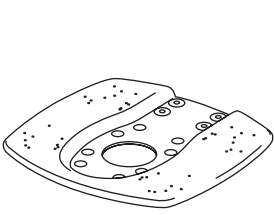
INSTALLATION INSTRUCTIONS

For Seaview 1" Rail Stand Off Pole Kit:

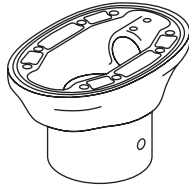
RM8KT1

Refer to website for most up to
date instructions and videos.

WWW.SEAVIEWGLOBAL.COM



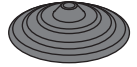
x1



x1



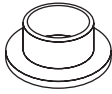
x1



x1



x2



x2



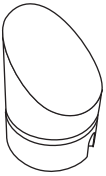
x2



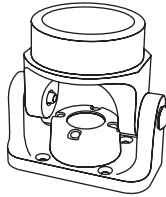
x1



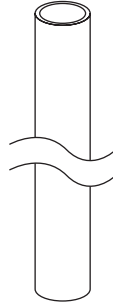
x1



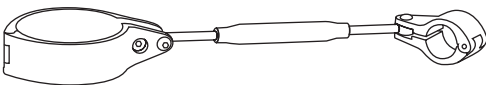
x1



x1



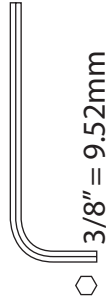
x1



x2



7/16" = 11.11 mm



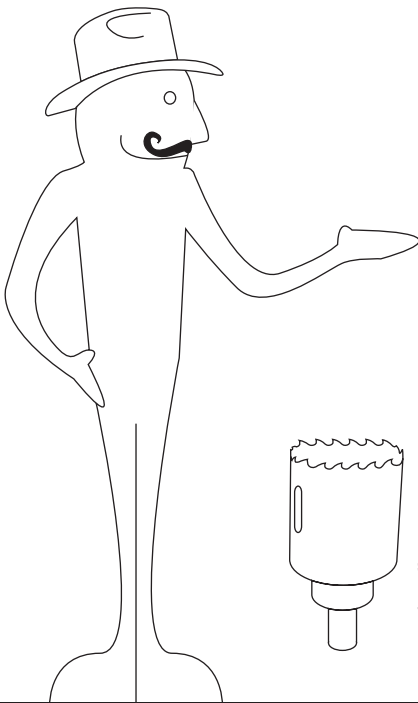
3/8" = 9.52 mm



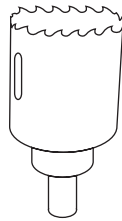
7/16" = 11.11 mm



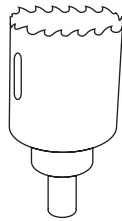
17/64" = 6.746 mm



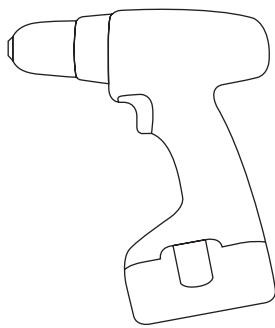
Sudbury Elastomeric Marine Sealant is recommended. To purchase call 800-655-7922 or visit www.seaviewglobal.com

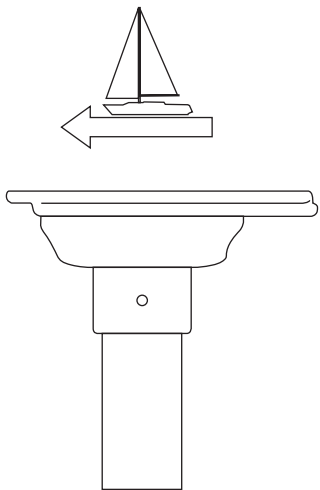


15/16" = 23.8125 mm

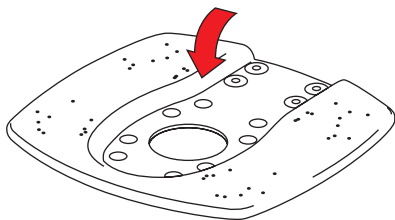
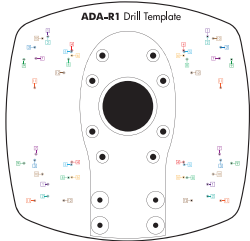


2" = 50.80 mm

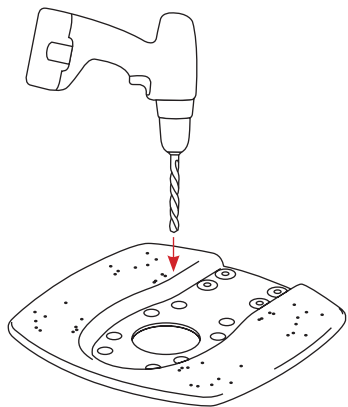




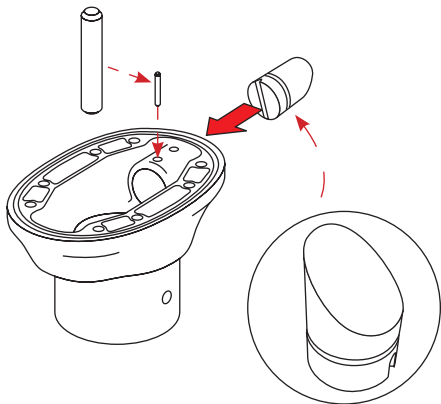
1



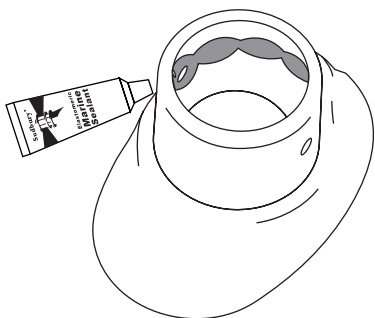
2



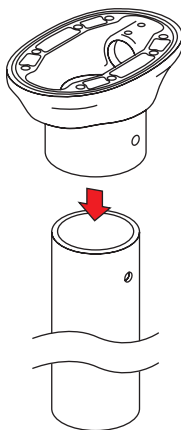
3



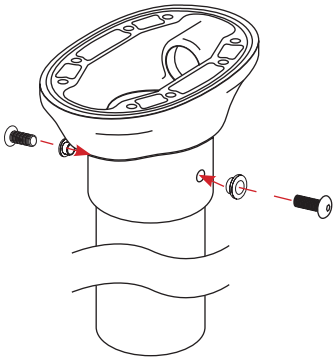
4



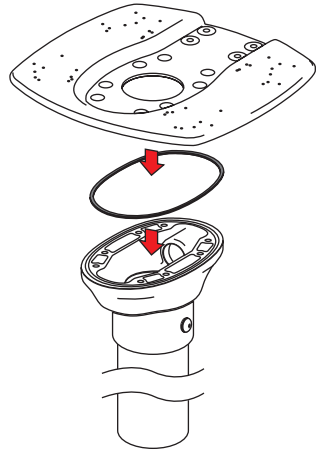
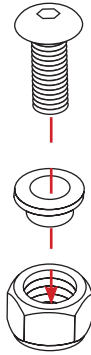
5



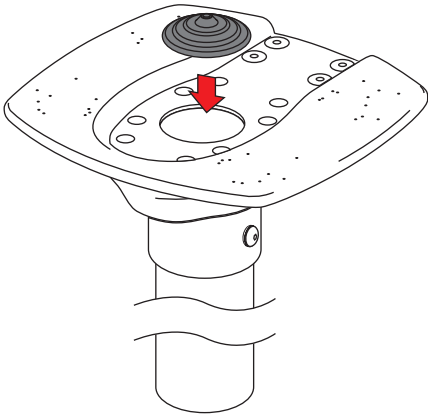
6



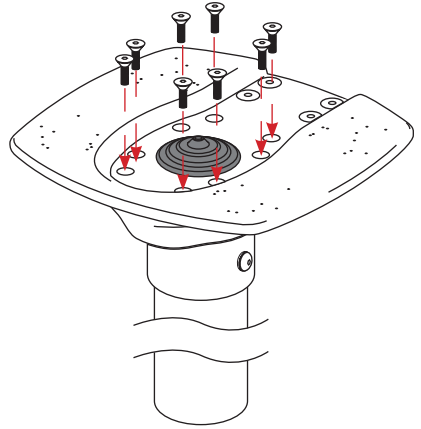
7



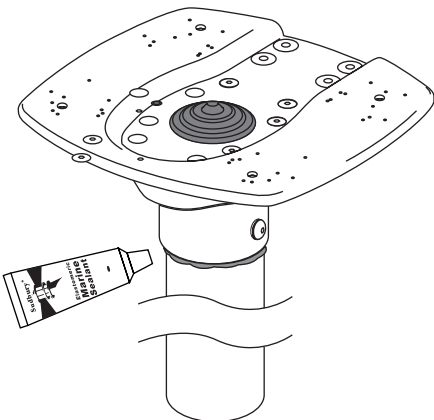
8



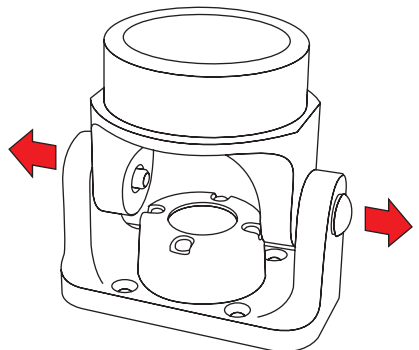
9



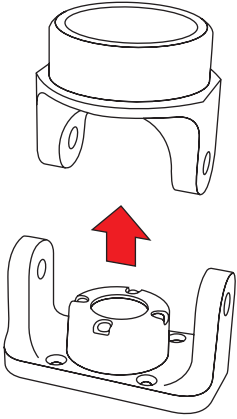
10



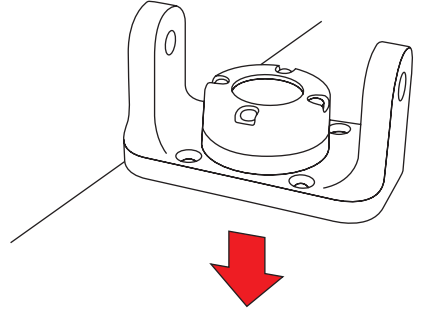
11



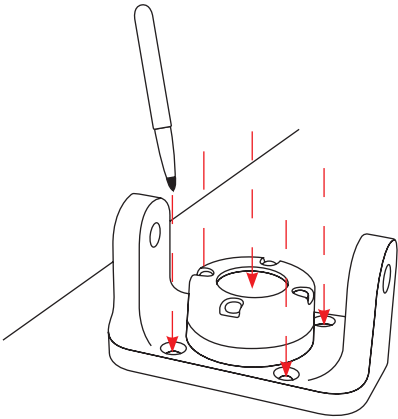
12



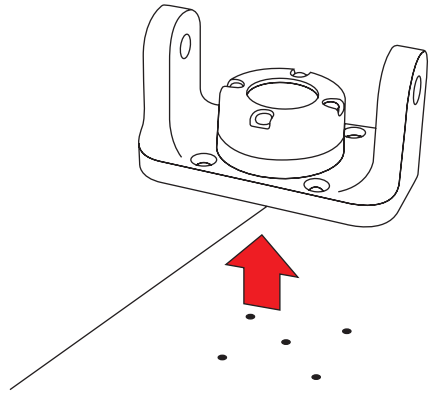
13



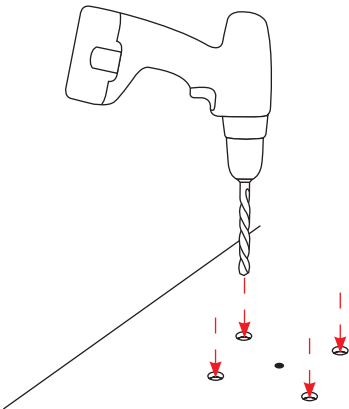
14



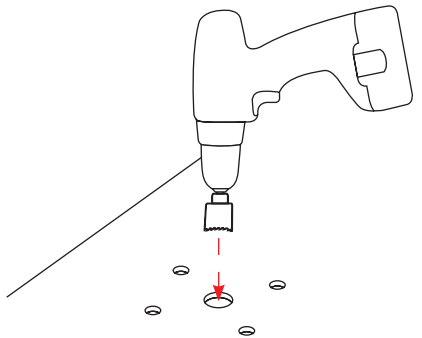
15



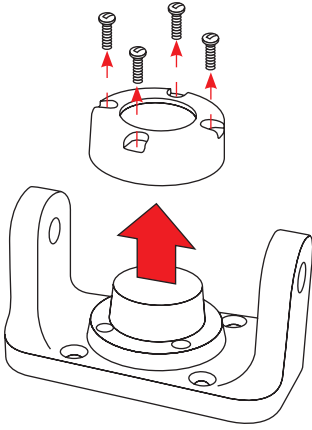
16



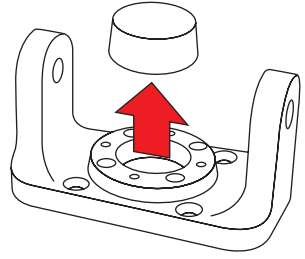
17



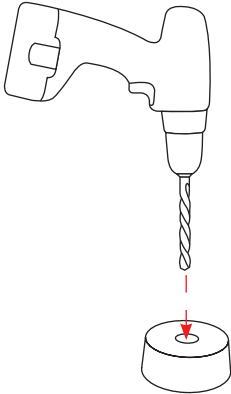
18



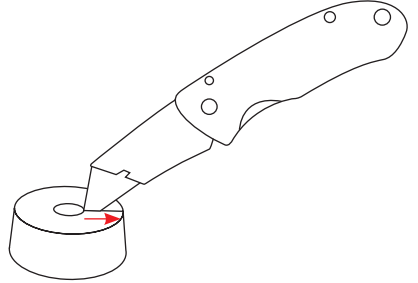
19



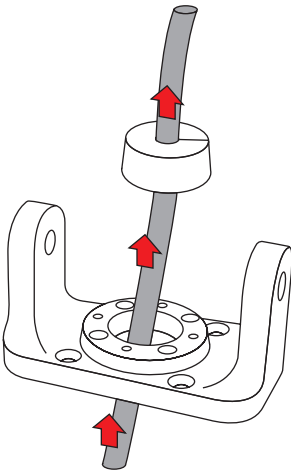
20



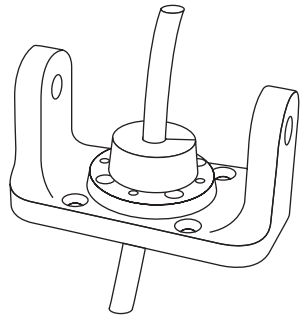
21



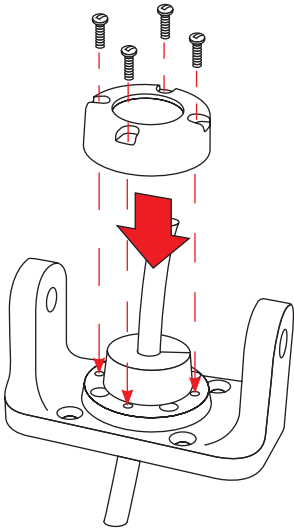
22



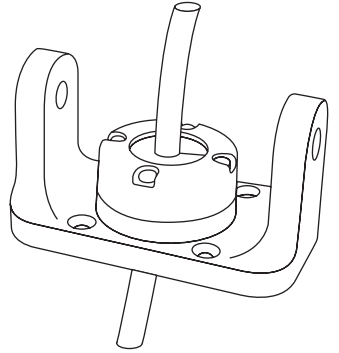
23



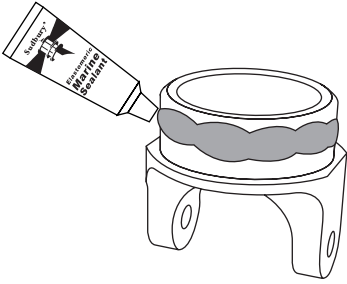
24



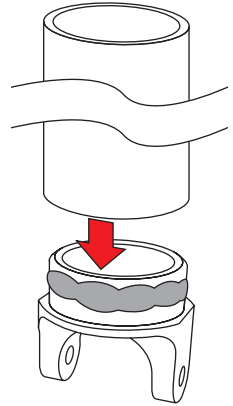
25



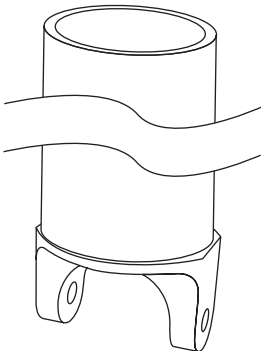
26



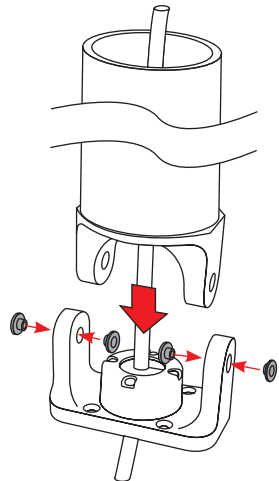
27



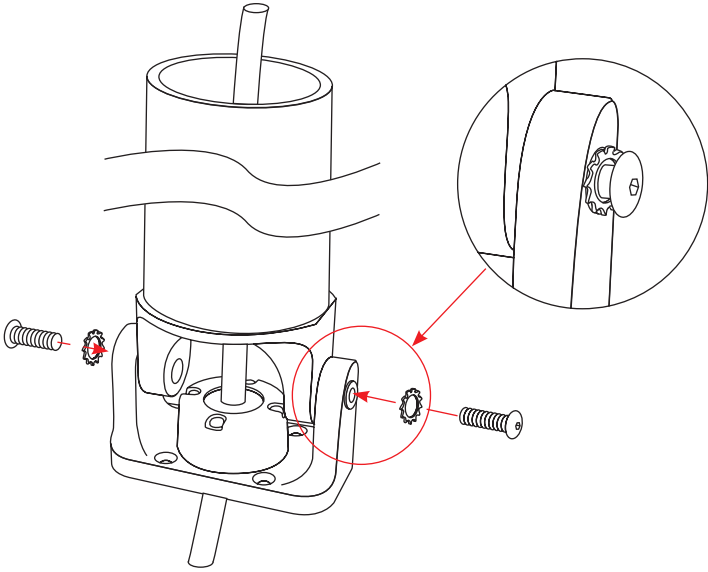
28



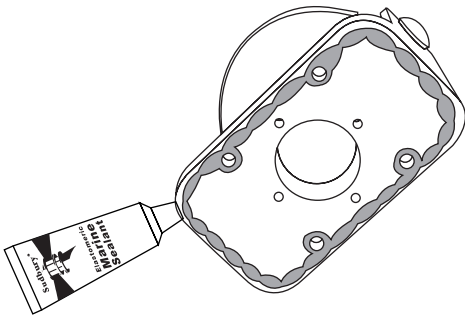
29



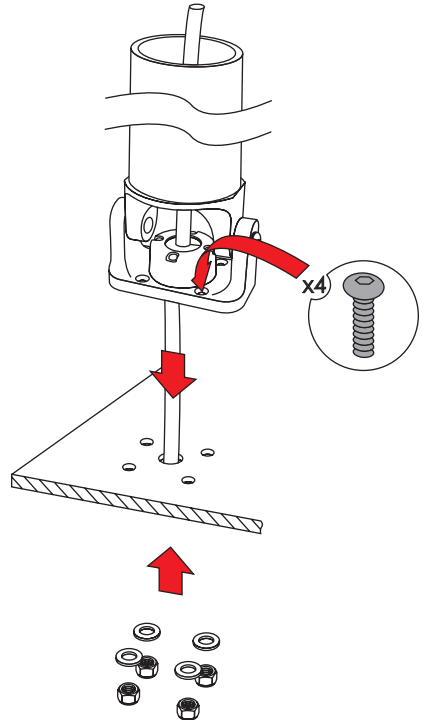
30



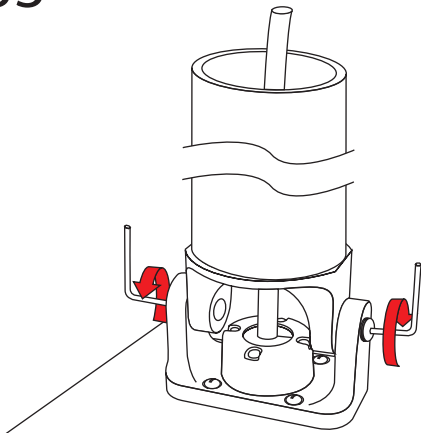
31



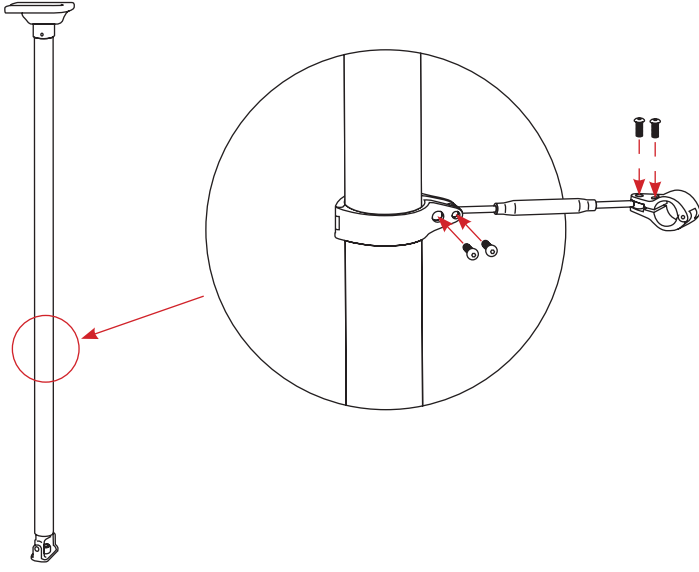
32



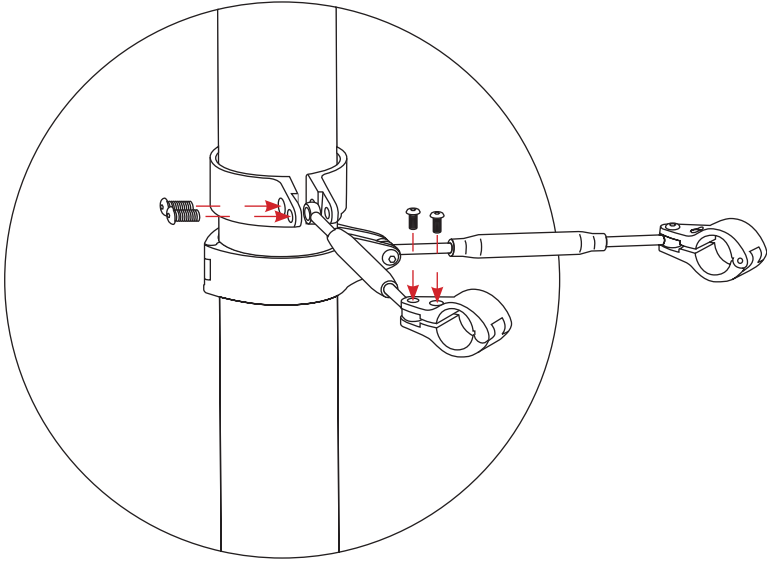
33



34



35



Notes:

The background of the entire page is a light gray topographic map with white contour lines. The lines are irregular and wavy, representing terrain elevation. The map covers the entire page, with the text elements overlaid on it.

SEAVIEW///
ELEVATE YOUR ELECTRONICS

SEAVIEW///

Tel: 800-655-7922
www.seaviewglobal.com

EUROPEAN OFFICE

Tel: +33 4 94 53 27 70
www.seaviewprogress.com

2-4202019