

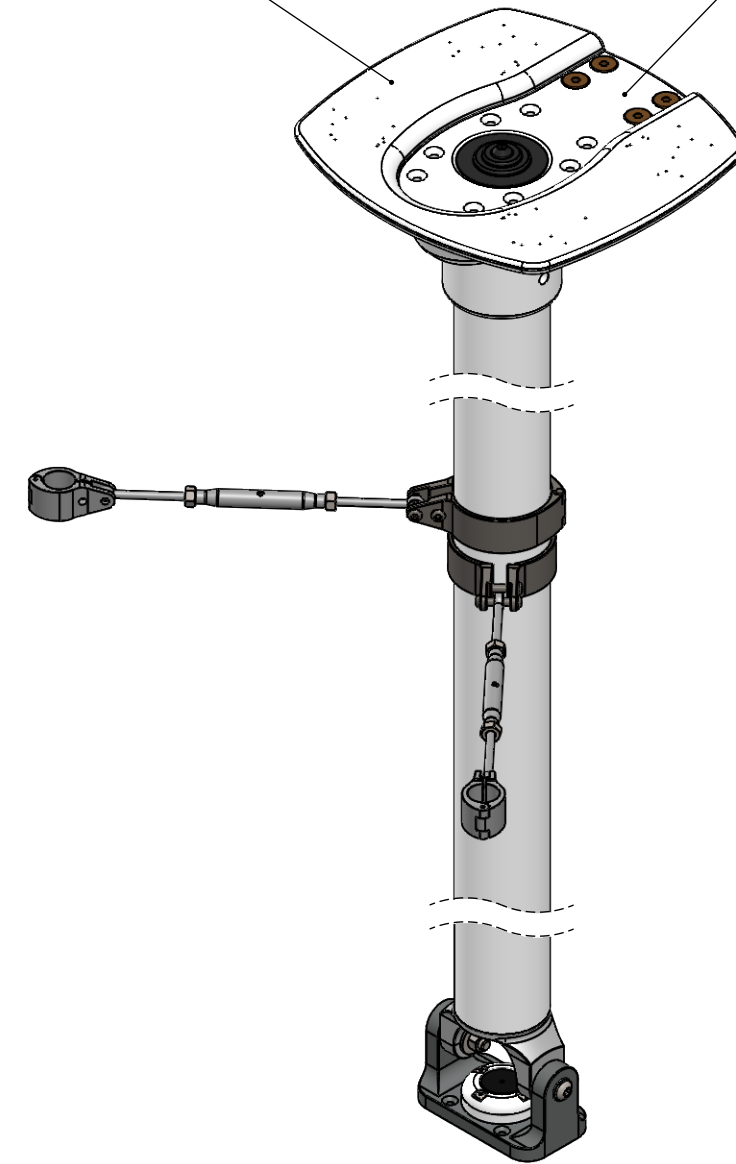
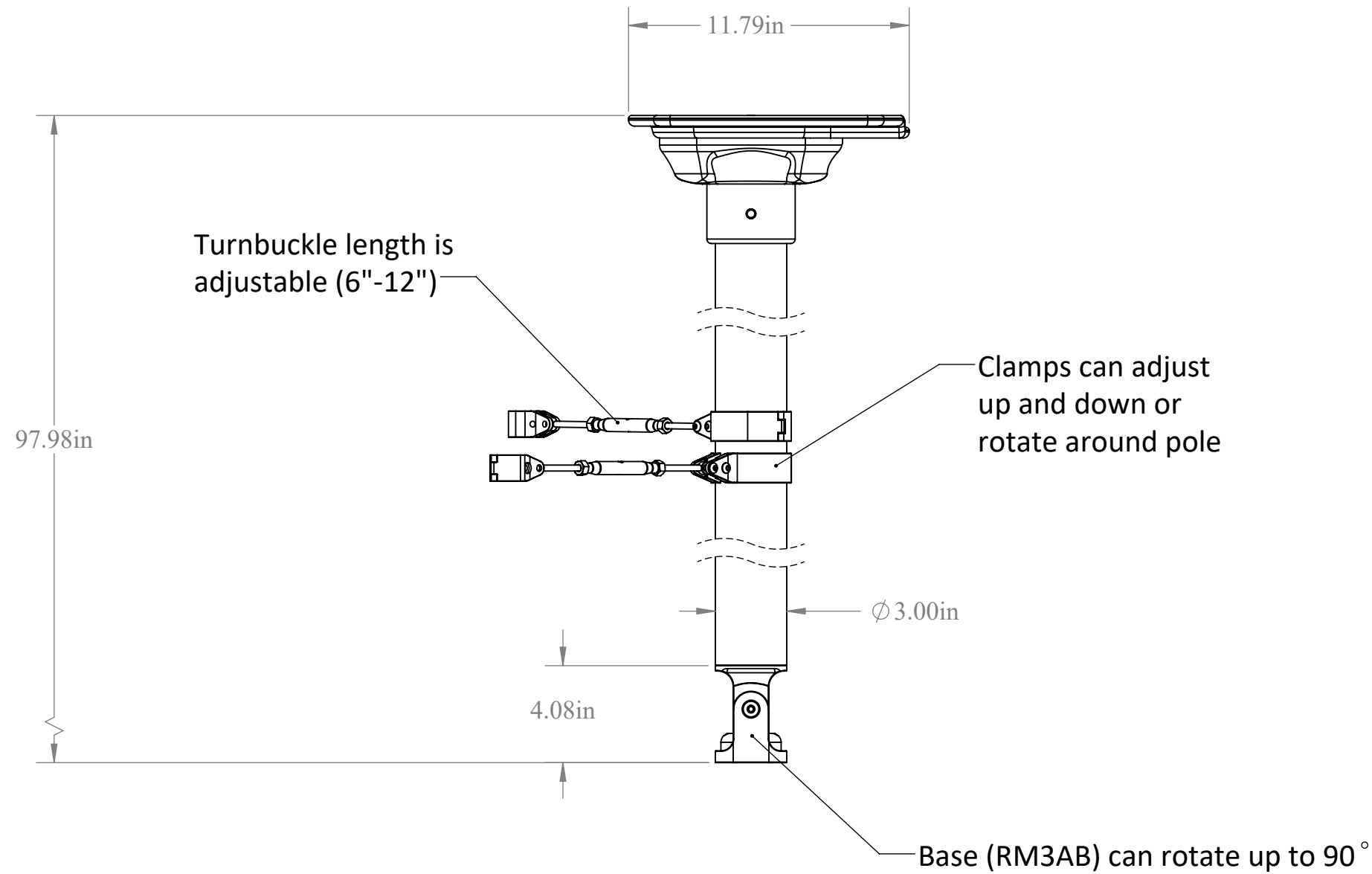
Notes:

1. Limited dimension drawing (applies to all sheets)
2. Some drawing views may be broken in order to improve clarity
3. Sheet 1 scale 1:6



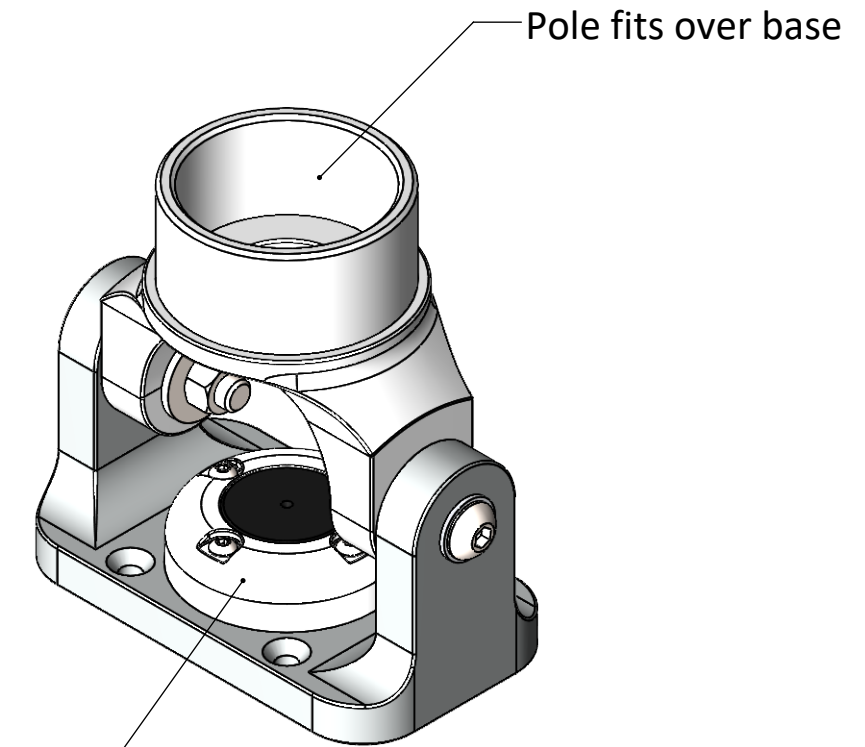
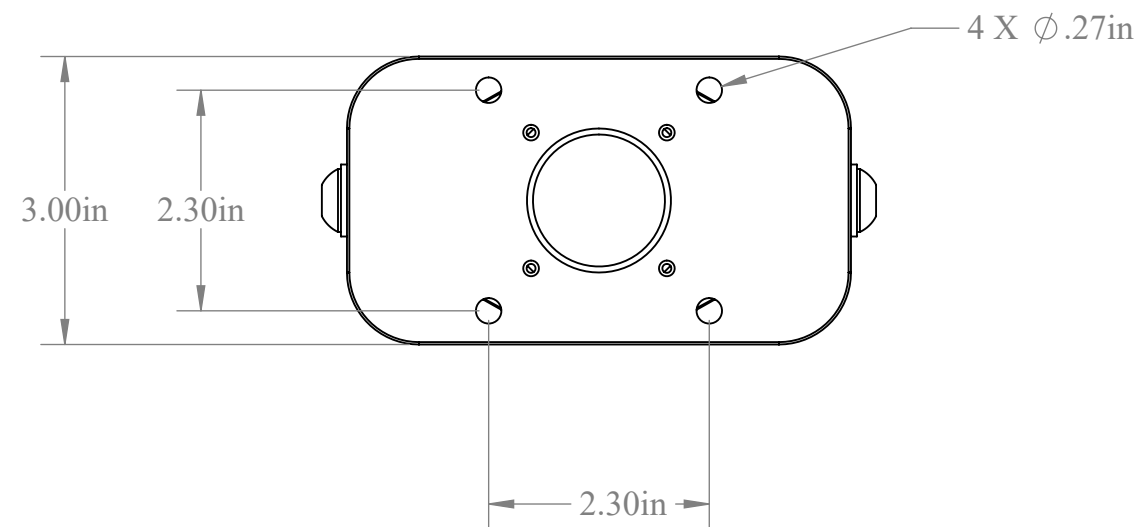
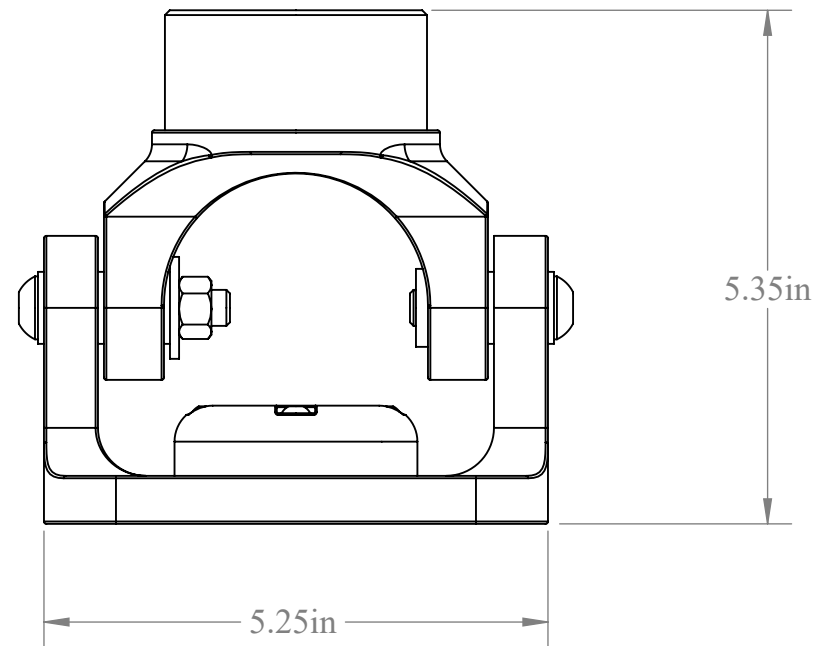
For 18"-24" closed dome radars

Light bar compatible



Notes:

1. Sheet 2 scale 1:2



Cable seal included

Sheet 2 of 2

RM3AB (Included with RM8KT1 Pole Kit)

For help e-mail
info@seaviewglobal.com
ph. 1-800-655-7922