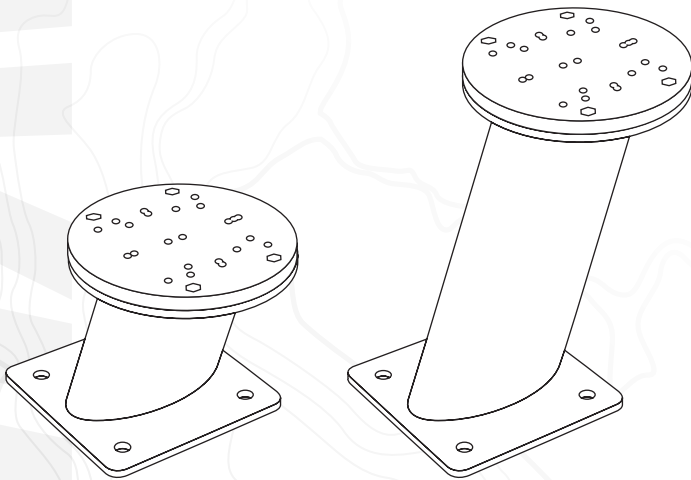


SEAVIEW

ELEVATE YOUR ELECTRONICS



INSTALLATION INSTRUCTIONS

For Seaview Camera Mounts:

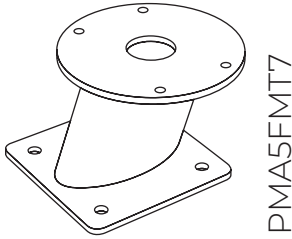
PMA5FMT7, PMA12FMT7, PMA5FMH7, PMA12FMH7

Refer to website for most up to
date instructions and videos.

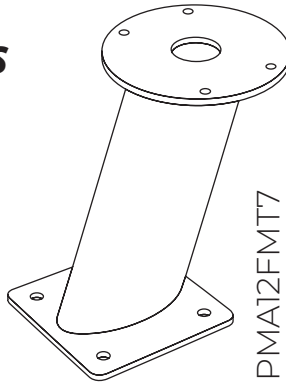
WWW.SEAVIEWGLOBAL.COM

PARTS INCLUDED

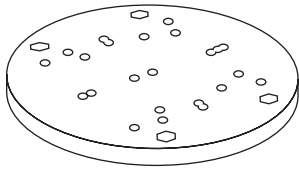
PMA5FMT7 AND PMA12FMT7 PARTS



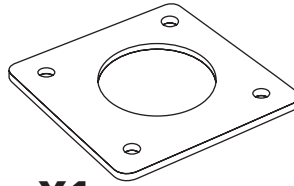
PMA5FMT7



PMA12FMT7



x1 Part #SLADAPT3



x1



x4



x6



x4

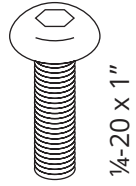


x4



x6

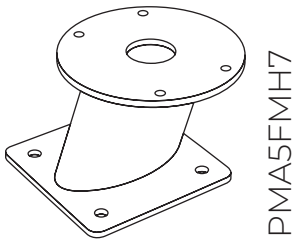
M6 x 16



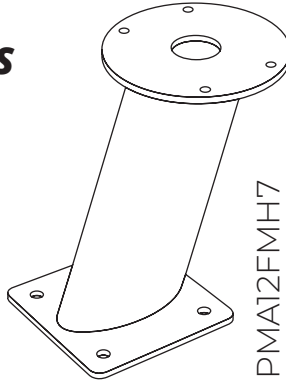
x4

1/4-20 x 1"

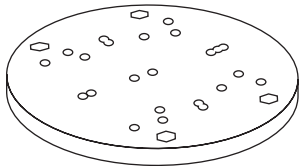
PMA5FMH7 AND PMA12FMH7 PARTS



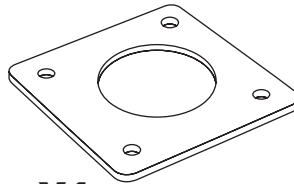
PMA5FMH7



PMA12FMH7



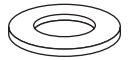
x1 Part #SLADAPT3



x1



x4



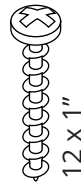
x6



x4

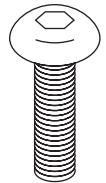


x4



x6

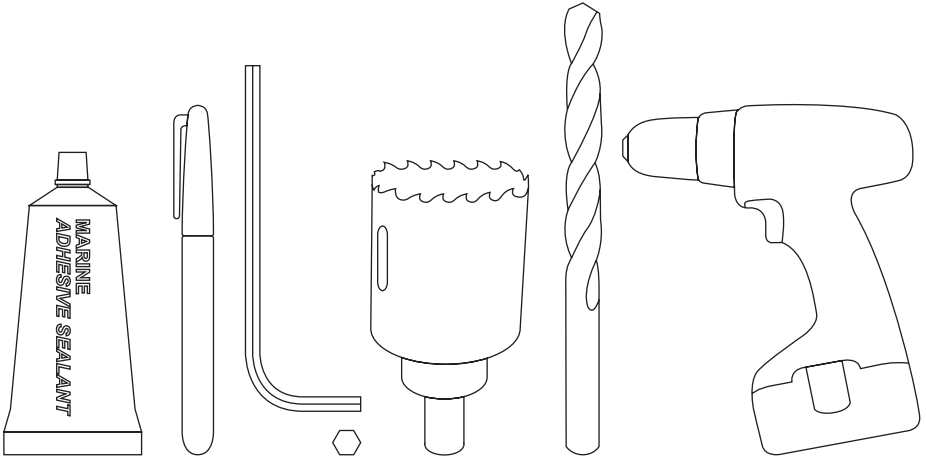
12 x 1"



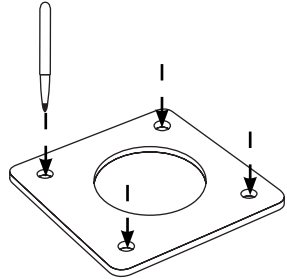
x4

1/4-20 x 1"

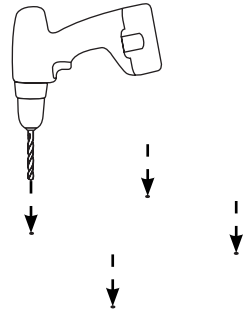
TOOLS NEEDED



-
- 1** Place the foam gasket onto mounting surface and mark the four holes to drill.

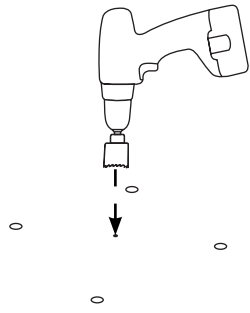


-
- 2** Using a drill bit drill the four holes for the mounting bolts.



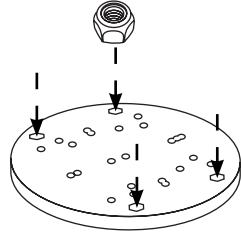
3

Using a hole saw, drill the center hole for the cable.



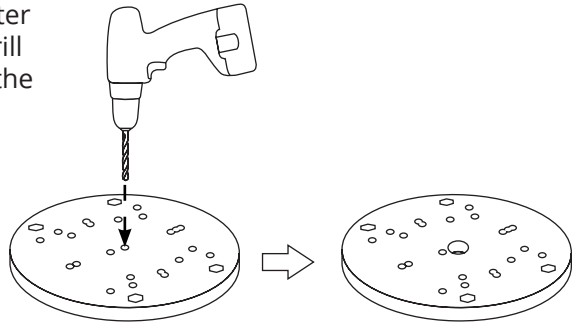
4

Insert the four nuts into the adapter plate as shown. (*This may have already been done for you.*)



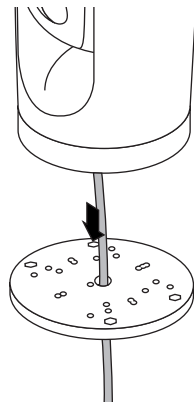
5

For the SLADAPT3 adapter plate you will need to drill a hole in the center for the cable.



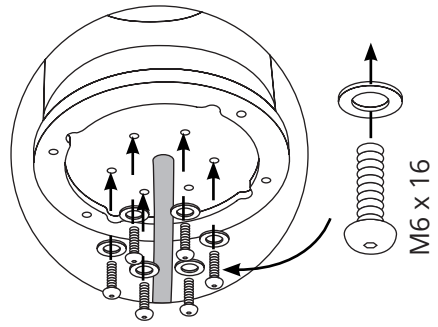
6

Route the electronics cables through the hole you just drilled into the SLADAPT3.



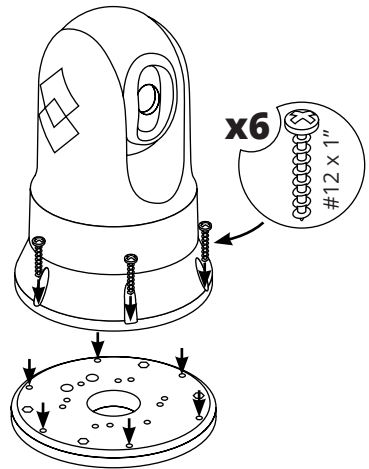
7A

Insert the six M6x16 bolts and washers through the bottom of the SLADAPT3 and into the camera.



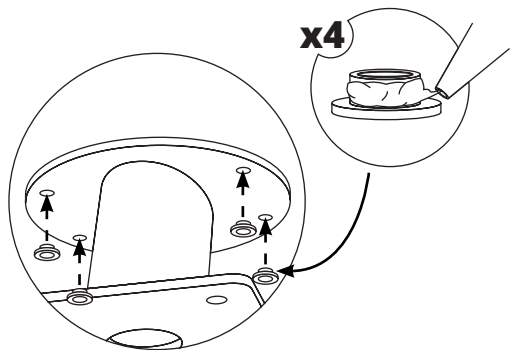
7B

Using a philips head screwdriver screw in the six #12x1" screws to secure the camera to the adapter plate.

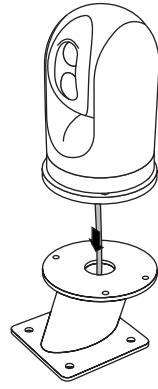


8

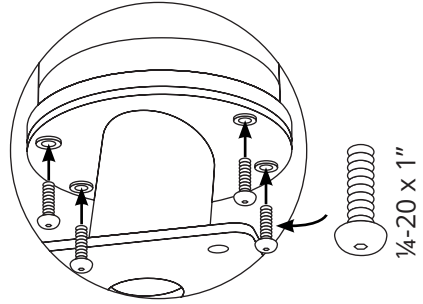
Apply marine adhesive sealant to the four nylon shoulder washers and then insert into the top of the Seaview mount.



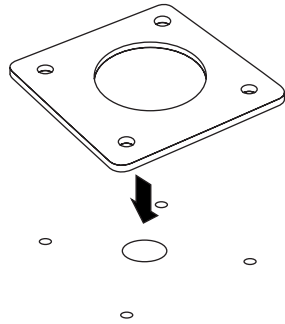
9 Route the electronics cables through the center hole on the top of the mount.



10 Secure the adapter plate to the mount with the four 1/4-20x1" bolts.

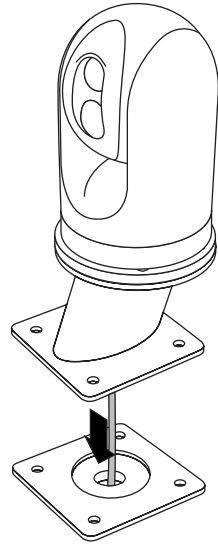


11 Place the foam gasket over the bolt holes you drilled in Step #2.



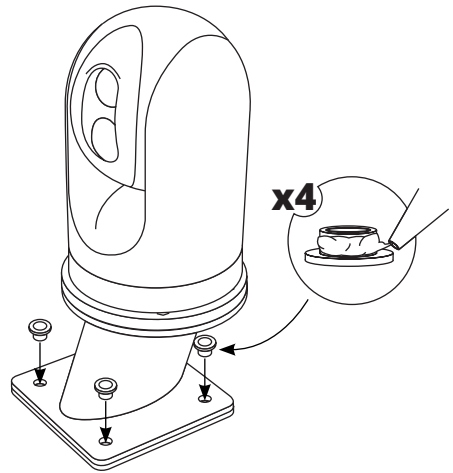
12

Route the cabling through the center hole. Place the mount assembly on top of the foam gasket.



13

Apply marine adhesive sealant onto the four nylon shoulder washers. Then insert the washers into the four bolt holes on the base of the Seaview mount.



The background of the entire page is a light gray topographic map with white contour lines. The lines are irregular and wavy, representing elevation changes across a landscape. The map is centered and covers the entire area.

SEAVIEW//
ELEVATE YOUR ELECTRONICS

SEAVIEW//

Tel: 800-655-7922
www.seaviewglobal.com

EUROPEAN OFFICE

Tel: +33 4 94 53 27 70
www.seaviewprogress.com