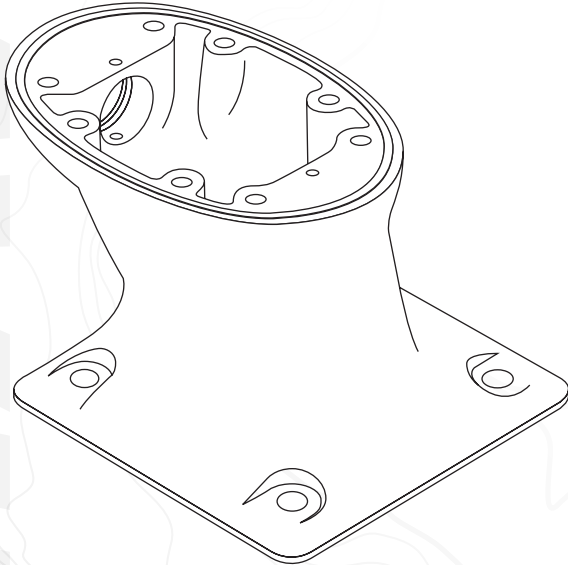


SEAVIEW

ELEVATE YOUR ELECTRONICS



INSTALLATION INSTRUCTIONS

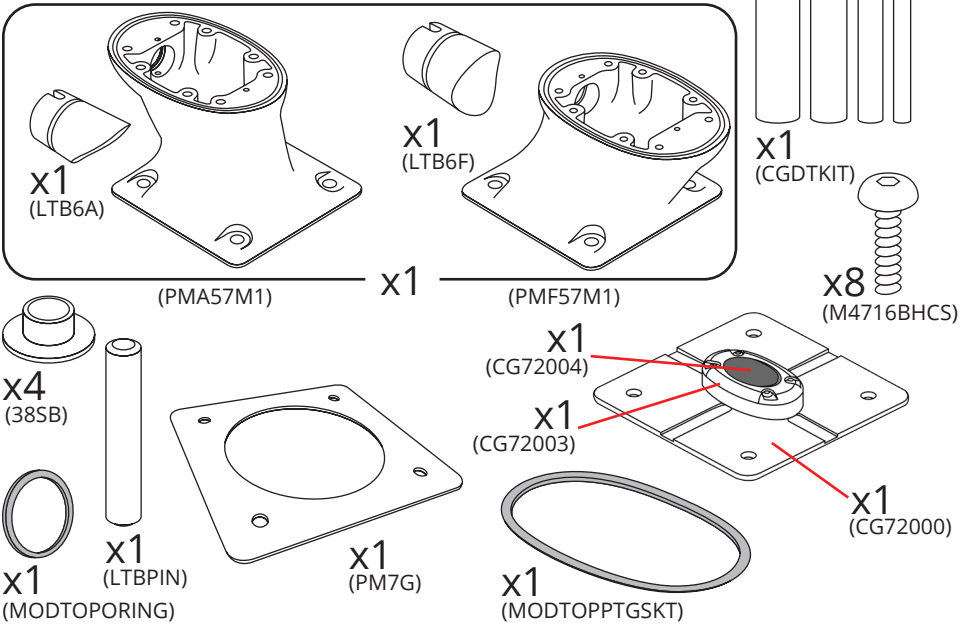
For Seaview Modular Mount:

PMA57M1, PMF57M1

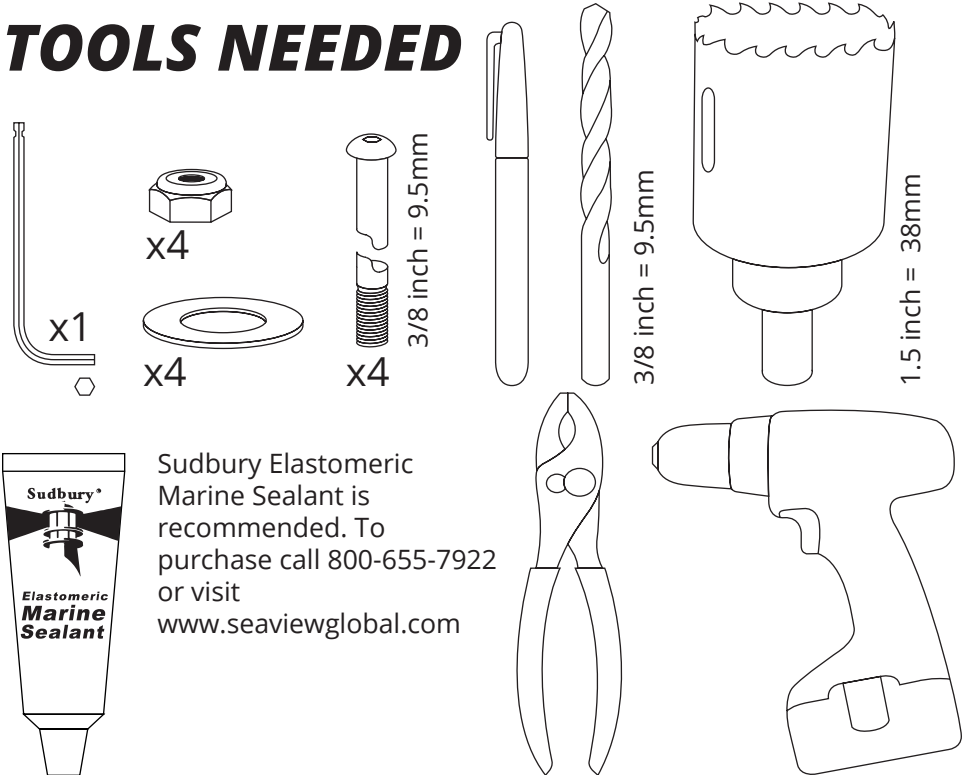
Refer to website for most up to
date instructions and videos.

WWW.SEAVIEWGLOBAL.COM

PARTS INCLUDED

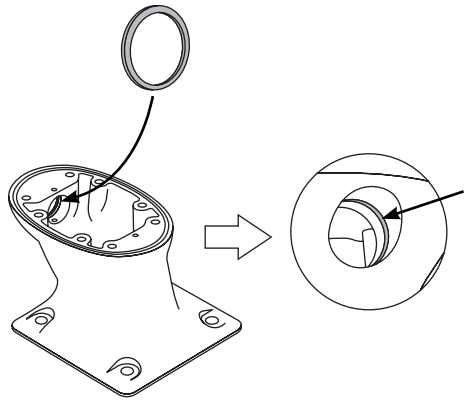


TOOLS NEEDED

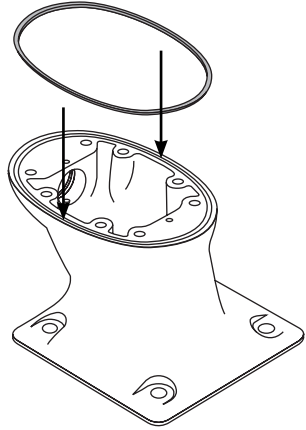


Sudbury Elastomeric Marine Sealant is recommended. To purchase call 800-655-7922 or visit www.seaviewglobal.com

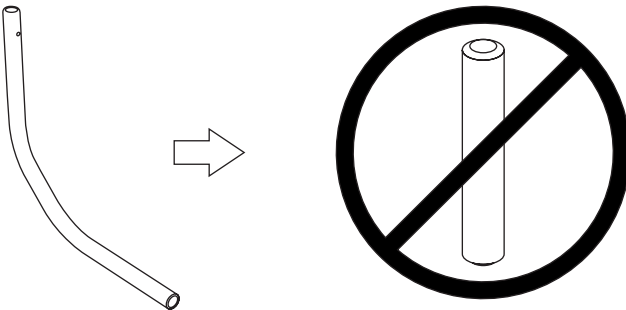
1 Insert the rubber grommet into the groove located in the light bar hole at the back of the mount.



2 Place rubber gasket in the groove on the top of the mount.

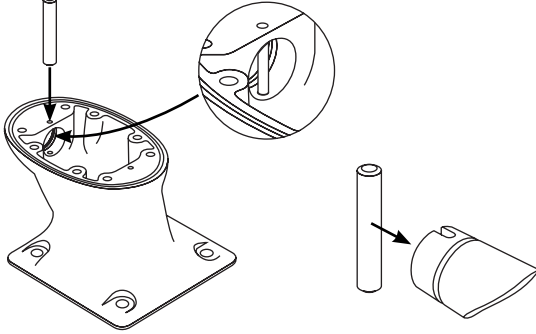


3A If you are using a light bar, do not use the provided pin.



3B

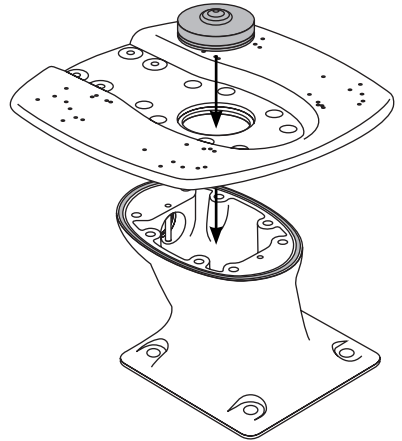
If you are not using a light bar insert the pin. Then insert the white plastic plug into the light bar hole. It should snap onto the pin.



4

Insert the rubber radar cable grommet into the center of the Seaview Top Plate (sold separately). Make sure that the lip in the center of the Top Plate hole sits in the groove of the rubber grommet.

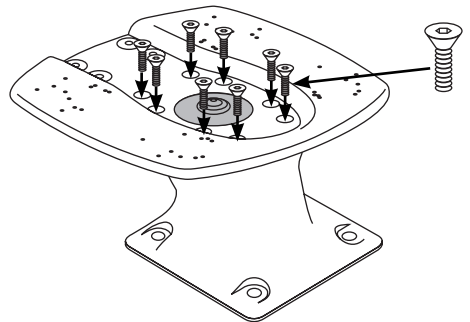
Then place the Top Plate on top of the mount, making sure that eight center bolt holes line up.



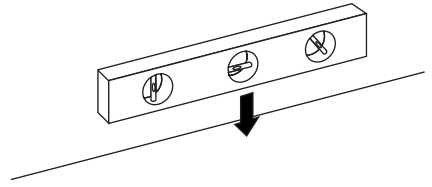
5

Using the eight 5/16 - 18x1" bolts from the Seaview Top Plate kit, bolt down the Top Plate.

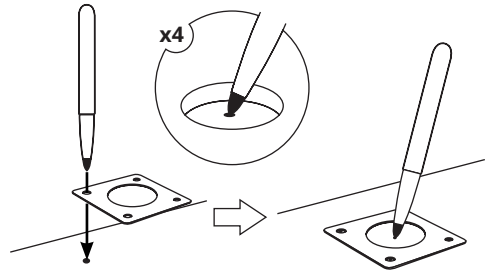
Refer to the provided Seaview Top Plate installation instructions for more information.



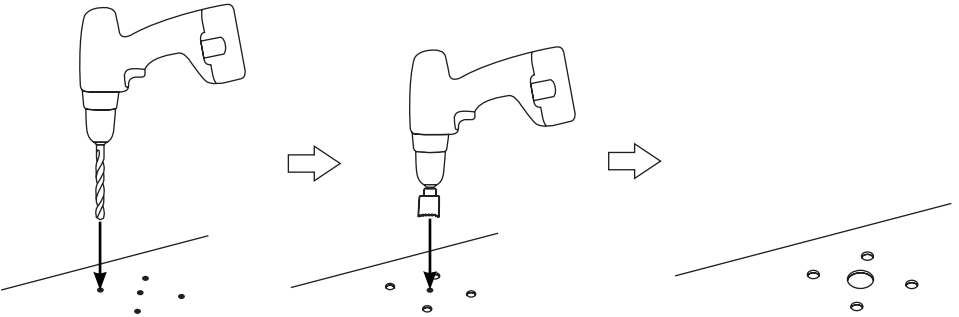
6 Using a straight edge make sure that the mounting surface is flat.



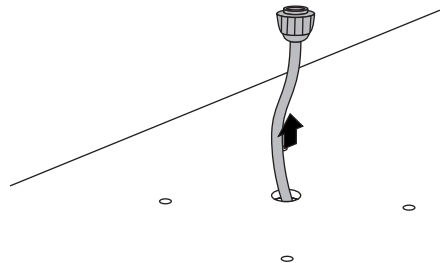
7 Mark the four bolt holes and center radar cable hole using the foam gasket as a template.



8 Use the appropriate size drill bit or hole saw to cut a hole big enough for the cables.

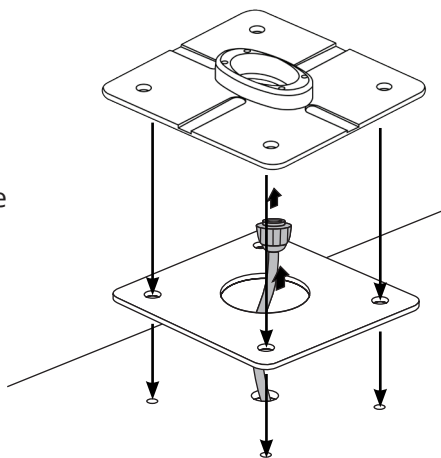


9 Route the cable(s) through the hole.



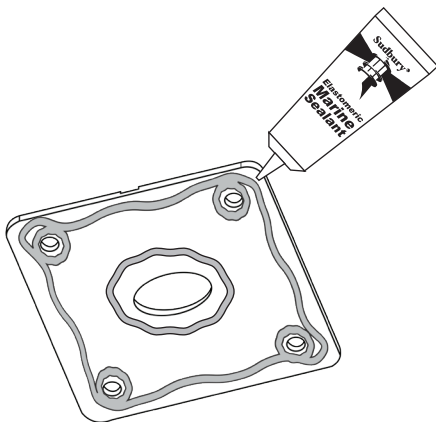
10A

Place the foam gasket and cable gland base plate over the bolt holes.



10B

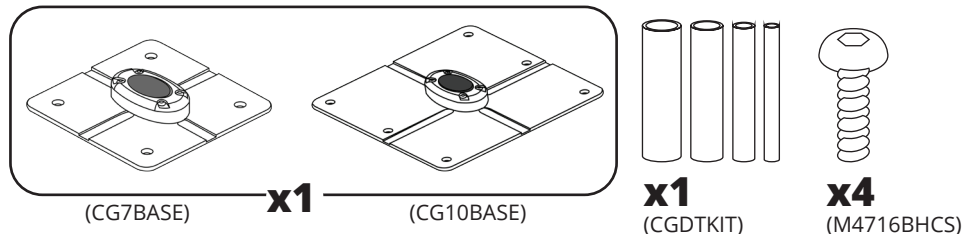
If you prefer not to use the foam gasket apply marine sealant to the cable gland base plate.



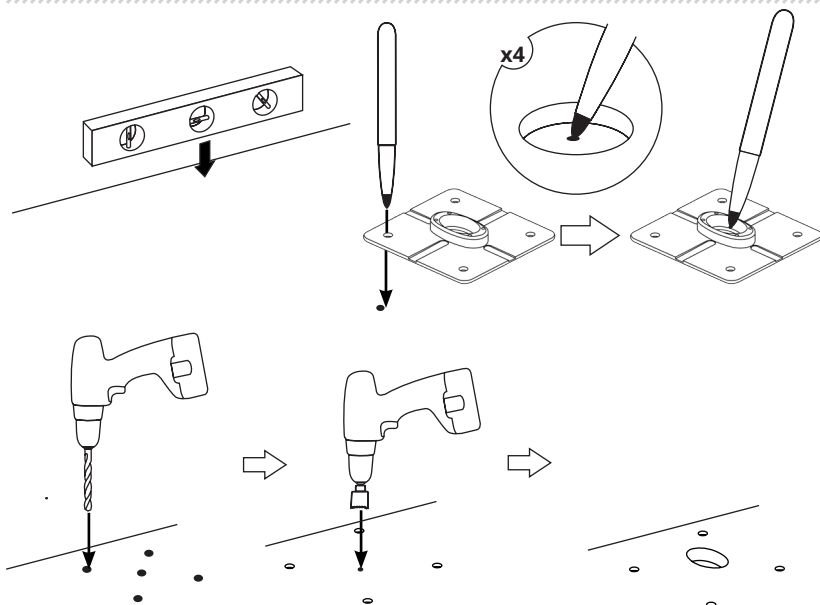
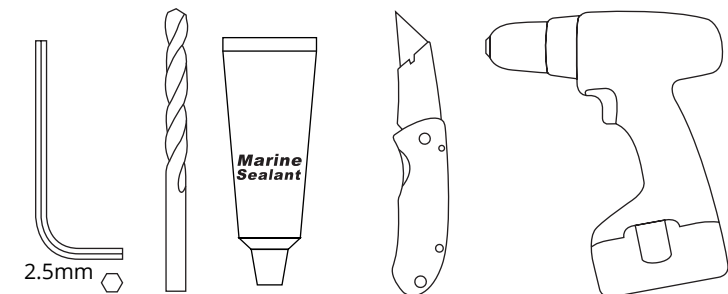
CABLE GLAND BASE

INSTRUCTIONS

PARTS INCLUDED



TOOLS NEEDED



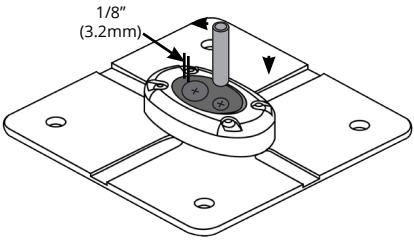
NOTE: BEFORE YOU BEGIN

• It is not necessary to dry fit if using drill tubes. Dry fit is recommended if using a drill bit to securely hold the rubber in place.

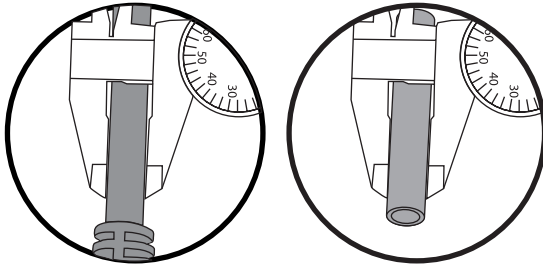
• Make sure that you do not drill within 1/8" (3.2mm) from the edge of the tapered plug.

• Drill tube is recommended. However, if using a drill bit, a slightly larger drill bit is needed for drilling the rubber.

• This cable gland base will work with multiple cables. Make sure each cable has its own hole and there is at least .125" of rubber between each hole.



1



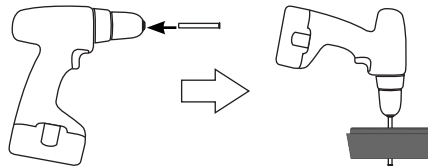
Measure your cable diameter and select the appropriate drill tube provided. Cable diameter $+0.01/-0.03$

2A



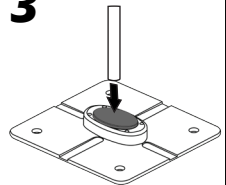
Take one of the four drill tubes (included with the Cable Gland). Double check to make sure the tube is the right diameter for your installation.

2



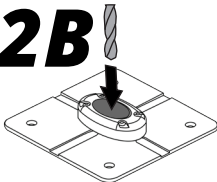
Insert drill tube into drill motor, and leave enough length to get through the tapered plug.

3



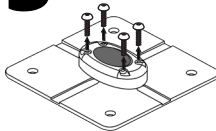
Apply small amount of soapy water to the tube and slowly drill the rubber plug.

2B



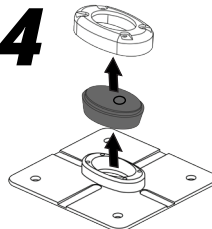
If using a drill bit, the cover should be securely tightened to help hold the rubber while drilling. The drill bit should be run repeatedly through the rubber.

3



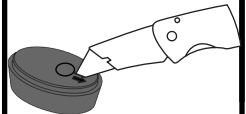
Remove the four screws using a 2.5 mm allen wrench.

4



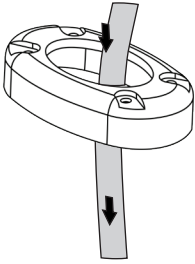
Remove the Cable Gland cover and tapered plug.

5



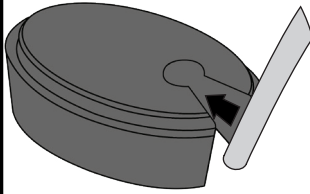
Using a sharp razor blade or knife, cut the tapered plug from the cable hole outward.

6



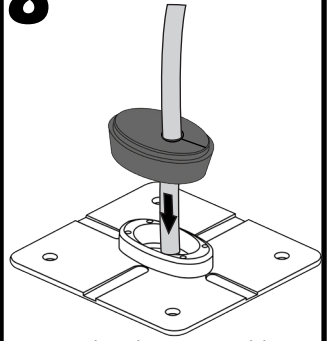
Slide the Cable Gland cover over the electronic cable.

7



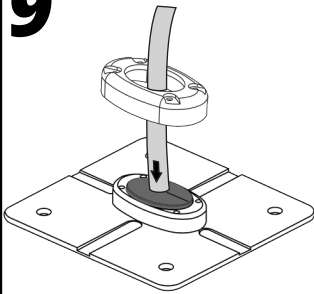
Wrap the tapered plug around the electronic cable.

8



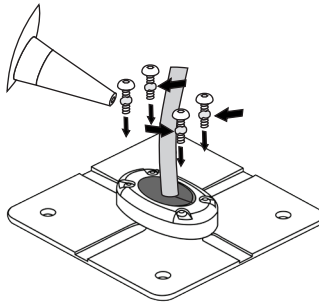
Insert the electronic cable and tapered plug into the plastic base.

9



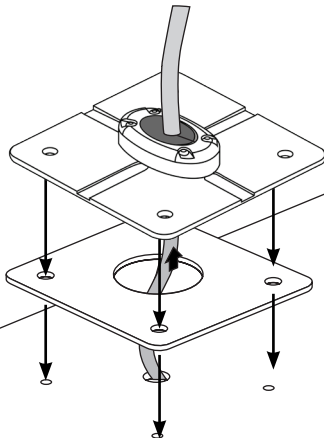
Slide the Cable Gland cover onto the plastic base making sure that all four bolt holes line up.

10



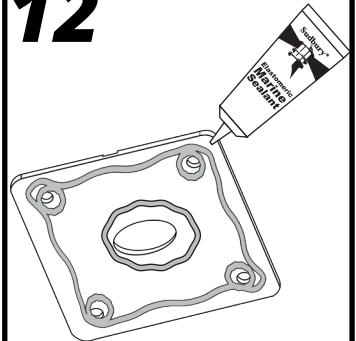
Apply marine sealant to the four allen head screws and tighten.

11



Place the foam gasket and cable gland base plate over the bolt holes.

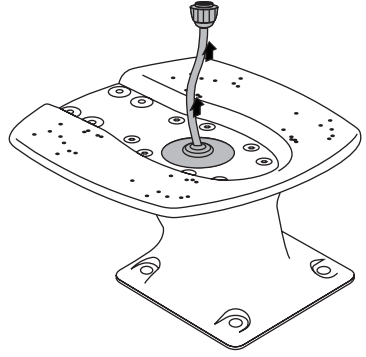
12



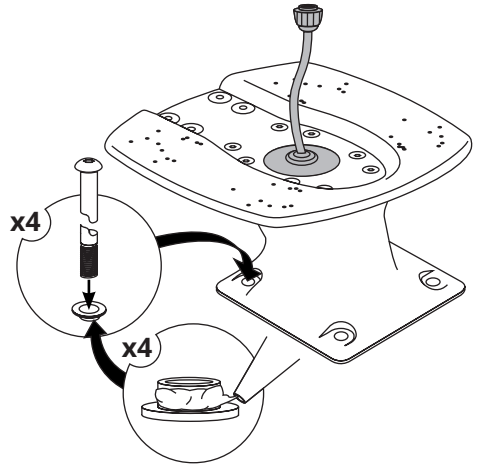
If you prefer not to use the foam gasket apply marine sealant to the cable gland base plate.

PMA57M1, PMF57M1 Continued...

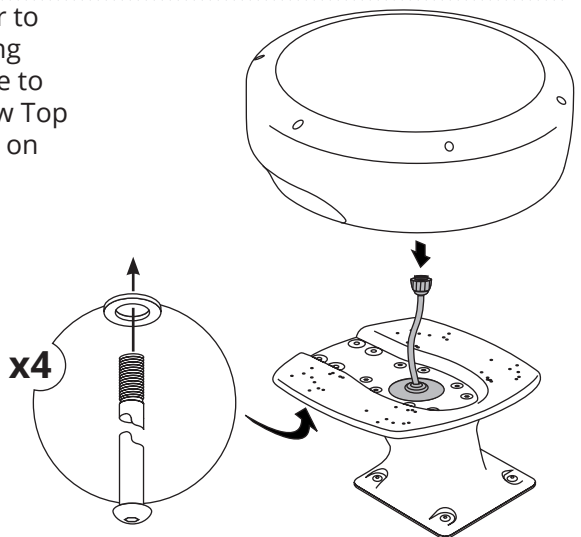
- 11** Route the cable(s) through the mount and through the rubber grommet.



- 12** Using your own bolts and the four supplied nylon should washers bolt down the Seaview mount to the mounting surface.

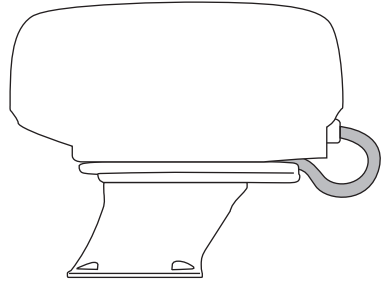
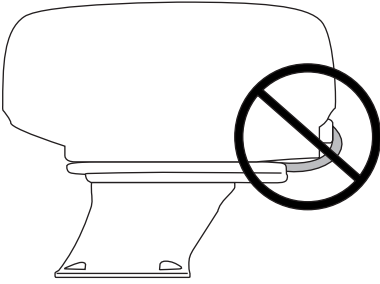


- 13** Secure your radar to the Top Plate using four bolts, be sure to follow the Seaview Top Plate instructions on how to do this.



14

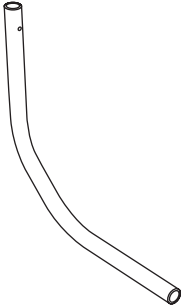
Be sure to leave some slack on the radar cable.



OPTIONAL ACCESSORIES

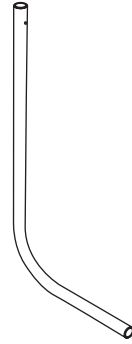
Call 800-655-7922 or visit www.seaviewglobal.com for available accessories.

LIGHT BARS



LTBR

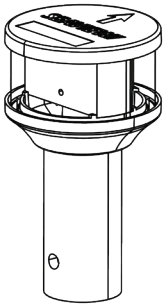
Fits closed dome radars.



LTBS

Fits 20" or smaller satdomes.

LIGHT BAR TOPS

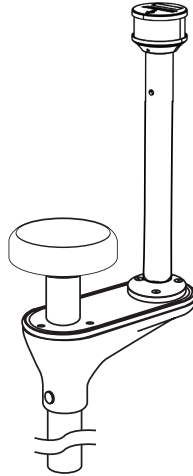


LTBLED12

(White LED nav light)

LTBLED12BLK

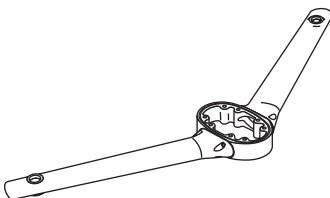
(Black LED nav light)



LTBU1ALED12

Light bar top with Seaview LED light on 12" post and 1-14 threads for GPS.

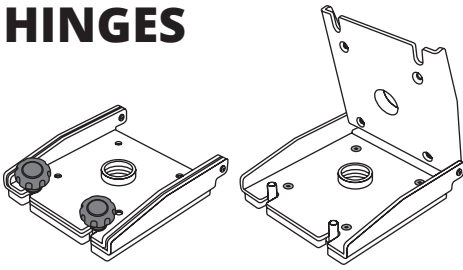
SPREADER KIT



SP1-MOD

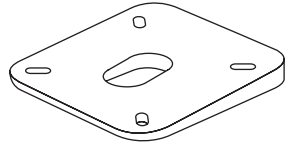
Allows user to mount GPS units or antennas onto a Seaview Modular Mount.

HINGES



Seaview Hinge Adapters fold in any direction necessary for added height clearance.

WEDGES



Compensates for plane angle.
Available in 2, 4 or 6 degree wedges.

The background of the entire page is a light gray topographic map with white contour lines. The lines are irregular and wavy, representing elevation changes across a landscape. The map is centered and covers the entire area.

SEAVIEW///
ELEVATE YOUR ELECTRONICS

SEAVIEW///

Tel: 800-655-7922
www.seaviewglobal.com

EUROPEAN OFFICE

Tel: +33 4 94 53 27 70
www.seaviewprogress.com

7-03092023