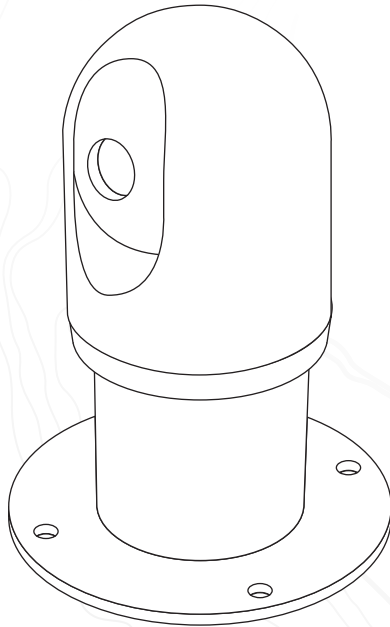


SEAVIEW

ELEVATE YOUR ELECTRONICS



INSTALLATION INSTRUCTIONS

For Seaview Camera Mount:

PM55XN8

Refer to website for most up to
date instructions and videos.

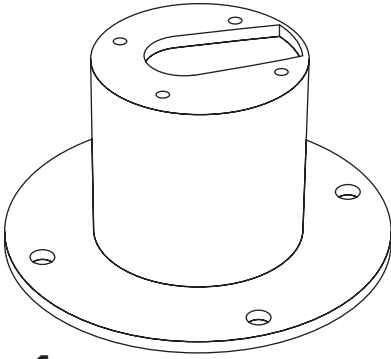
WWW.SEAVIEWGLOBAL.COM

NOTE:

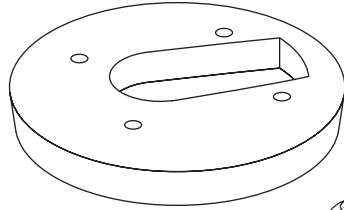
It is strongly advised that all installations are carried out by an authorized installer who possesses the necessary expertise and experience in marine equipment installation.

Furthermore, prior to the final installation process, we recommend performing a dry fit assembly of all components. This entails fitting the components in their designated positions on the boat without permanently affixing them. This step allows for careful assessment of compatibility, alignment, and any potential adjustments that may be required before proceeding with the actual installation.

PARTS INCLUDED



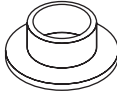
x1
(PM5FN8P)



x1
(SVSNADAPT)



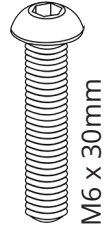
x4
(M6WASHER)



x4
(38SB)



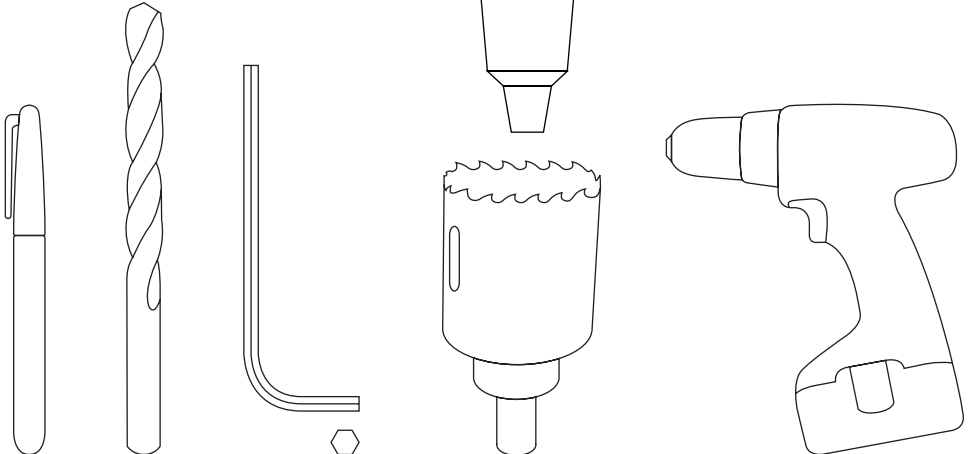
x4
(M6LOCKWASHER)



x4
(M630BHCS)

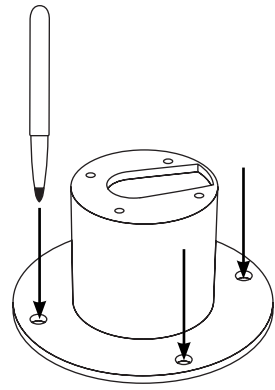
M6 x 30mm

TOOLS NEEDED

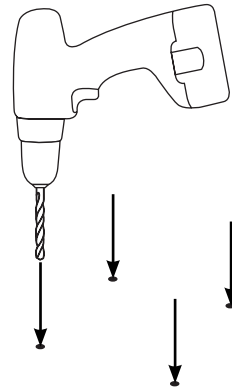


Sudbury Elastomeric Marine Sealant is recommended. To purchase call 800-655-7922 or visit www.seaviewglobal.com

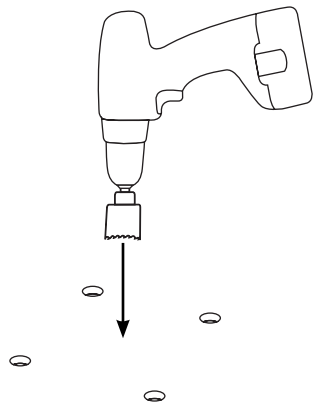
1 Mark the four base holes for drilling.



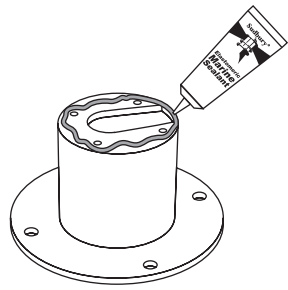
2 Drill the four holes.



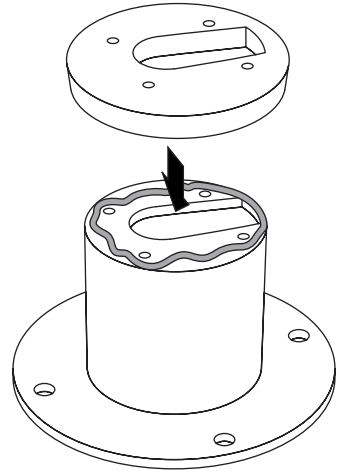
3 Using a hole saw, drill a hole for the cable.



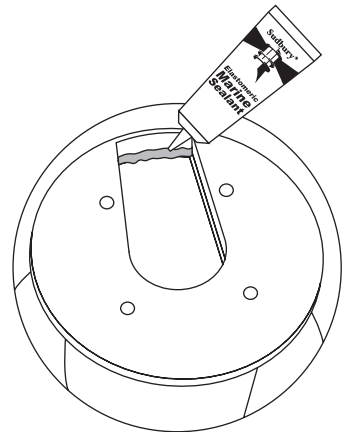
4 Apply marine adhesive sealant to the top of the mount as shown.



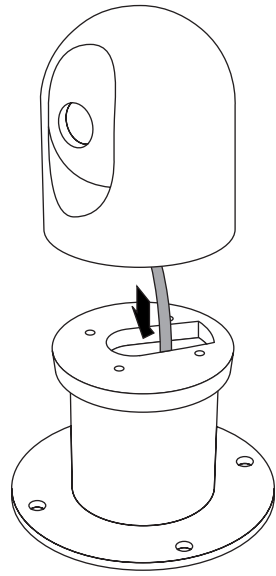
5 Place the adapter plate onto the mount making sure that the four mounting holes line up.



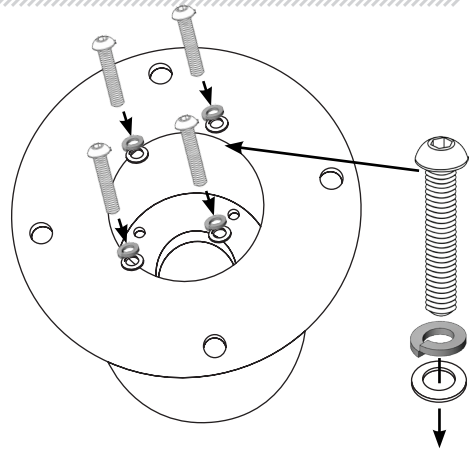
6 Apply marine adhesive sealant to the inner edge of the adapter plate as shown.



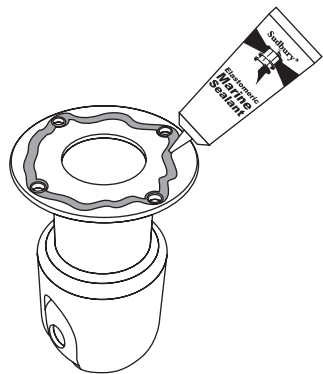
7 Route the cables through the center channel and mount the camera to the adapter plate.



8 Using the hardware provided secure the camera to the mount and adapter plate.

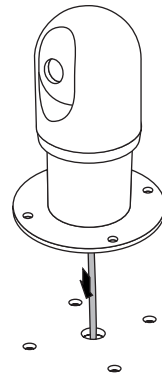


9 Apply marine adhesive sealant to the base of the mount.



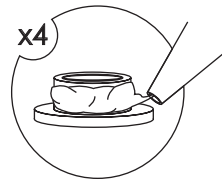
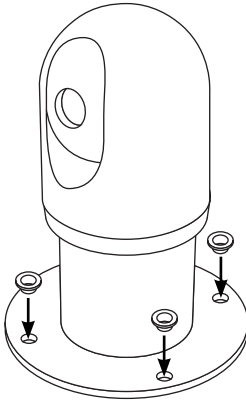
10

Route the cables through the mounting surface. Place the mount onto the mounting surface.



11

Apply marine adhesive sealant to the four nylon shoulder washers and insert into the four bolt holes on the base. Use your own hardware to secure mount into place.



The background of the entire page is a light gray topographic map with white contour lines. The lines are more densely packed in some areas, suggesting higher elevations, and more spread out in others.

SEAVIEW///
ELEVATE YOUR ELECTRONICS

SEAVIEW///

Tel: 800-655-7922
www.seaviewglobal.com

EUROPEAN OFFICE

Tel: +33 4 94 53 27 70
www.seaviewprogress.com