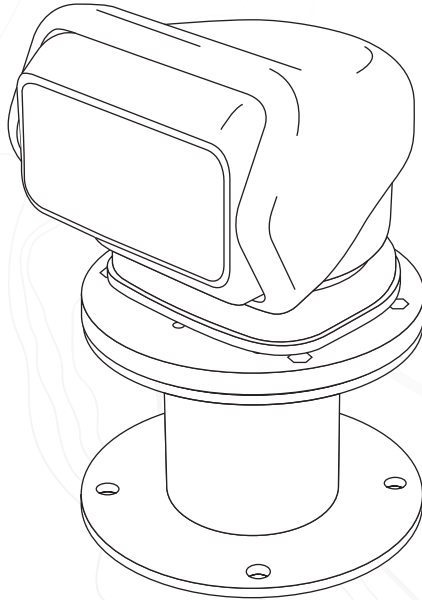


SEAVIEW

ELEVATE YOUR ELECTRONICS



INSTALLATION INSTRUCTIONS

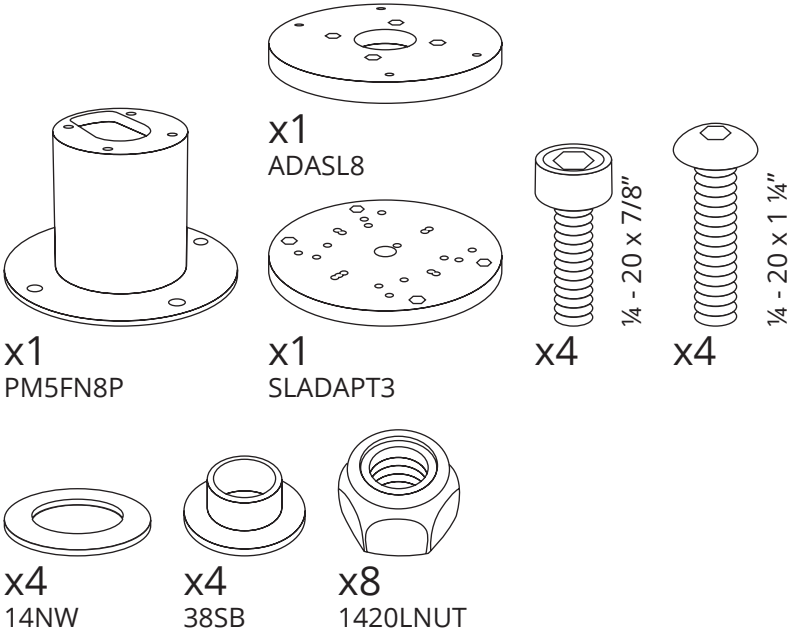
For Seaview Search Light Mount:

PM5-SL8

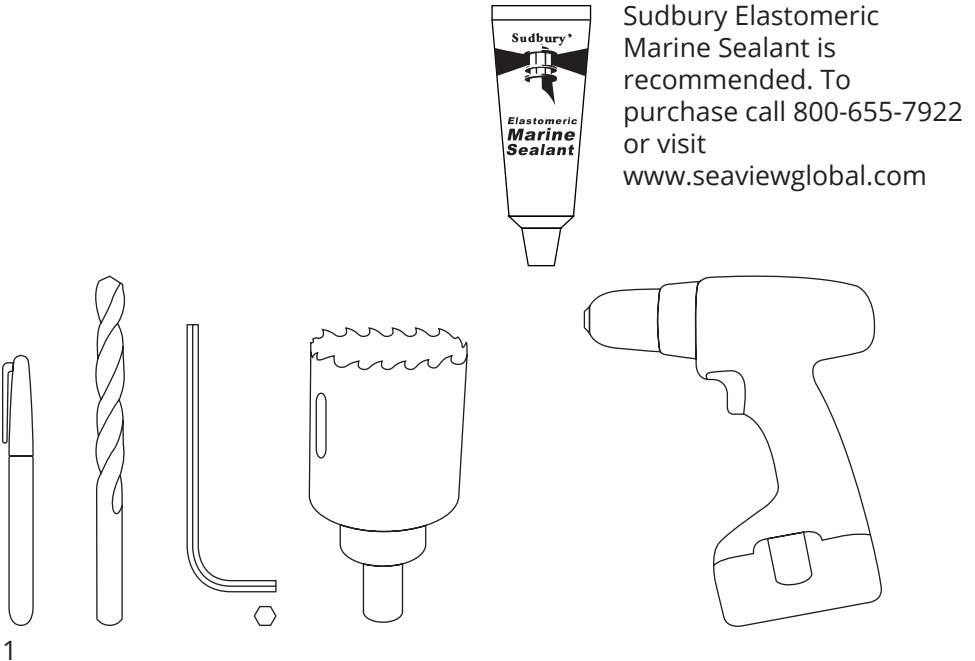
Refer to website for most up to
date instructions and videos.

WWW.SEAVIEWGLOBAL.COM

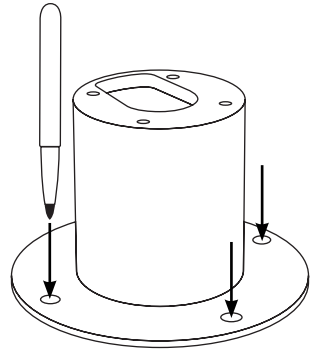
PARTS INCLUDED



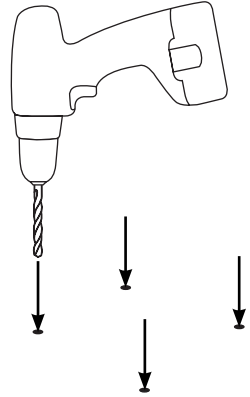
TOOLS NEEDED



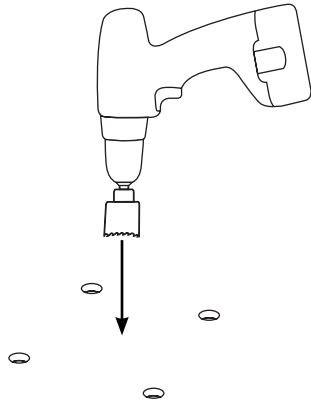
1 Mark the four holes for drilling.



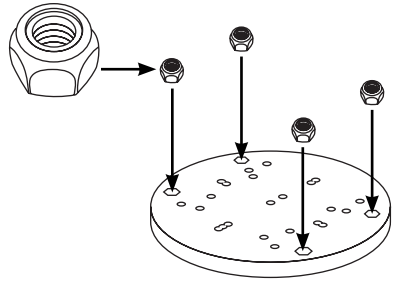
2 Use a drill bit to drill the four bolt holes.



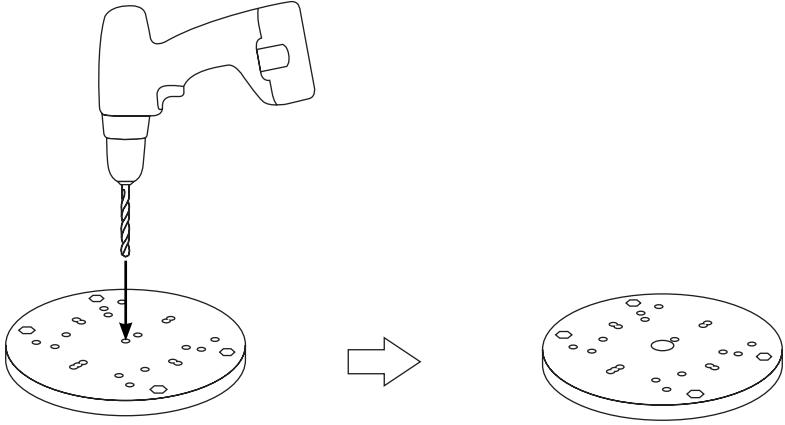
3 Use a hole saw to cut a hole to run the cables through.



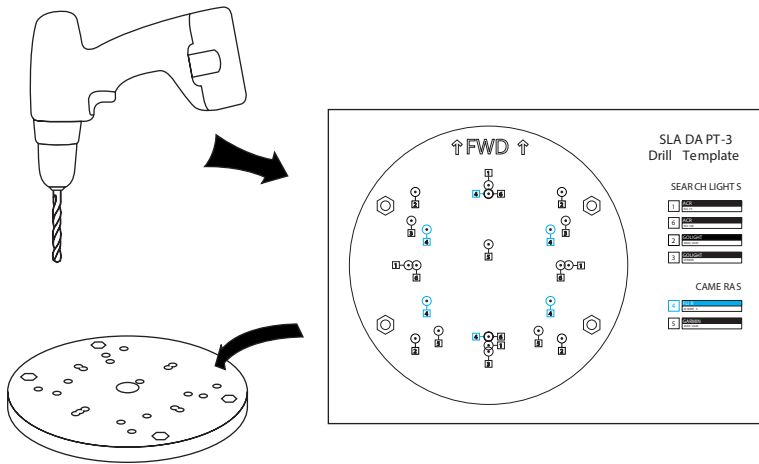
4 Insert four 1420LNUT into the SLADAPT3 as shown. Note, this may have already been done for you.



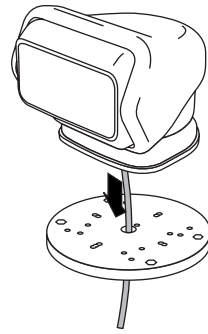
5 Using a drill bit drill a hole through the center of the SLADAPT3 so that you can run the cables through.



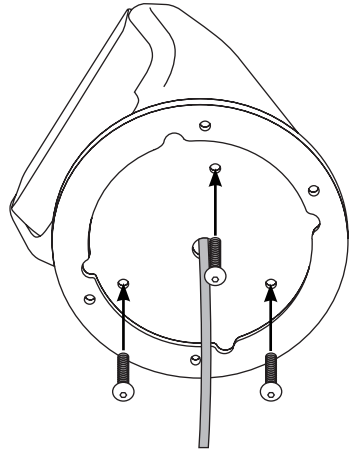
6 Use the drill template to drill the appropriate holes in the top plate for your search light.



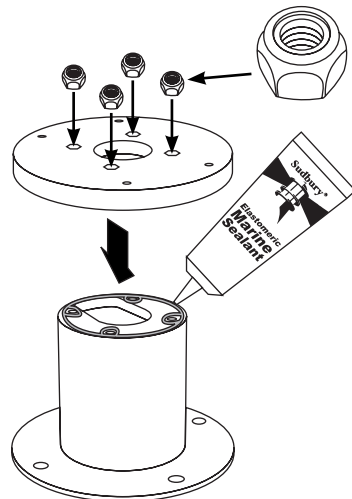
7 Pass the cable from the search light through the SLADAPT3.



8 Secure the search light to the SLADAPT3 using the hardware that came with your search light.

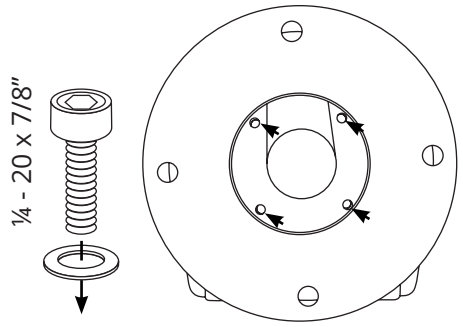


9 Apply marine adhesive sealant to the PM5FN8P as shown. Insert four 1420LNUT nuts into the ADASL8 plate. Note this may have already been done for you.



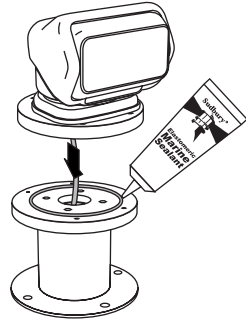
10

Secure the ADASL8 plate to the PM5FN8P using the four $\frac{1}{4}$ -20x $\frac{7}{8}$ " bolts.



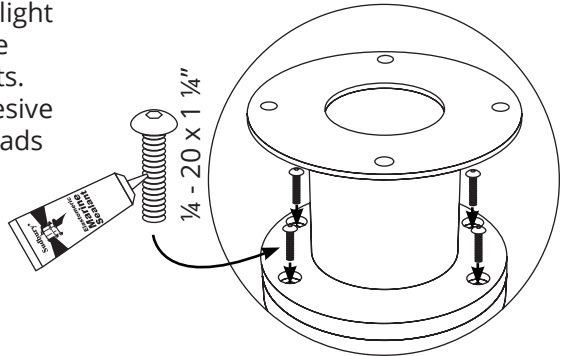
11

Apply marine adhesive sealant to the top of the ADASL8 plate.



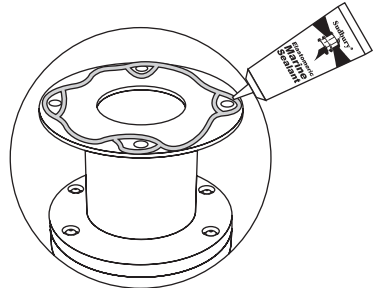
12

Secure the search light assembly using the four $\frac{1}{4}$ -20x $1\frac{1}{4}$ " bolts. Apply marine adhesive sealant to the threads of the bolts.

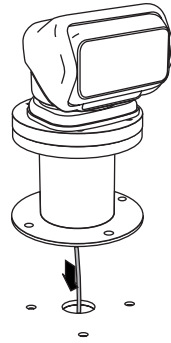


13

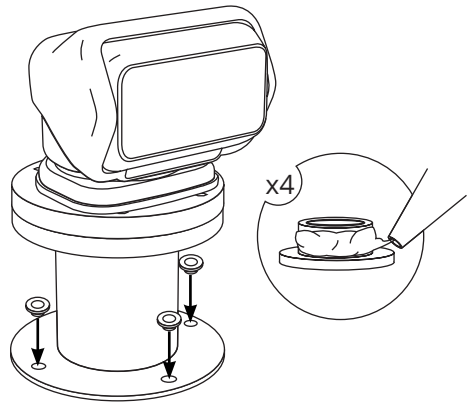
Apply marine adhesive sealant to the base of the mount.



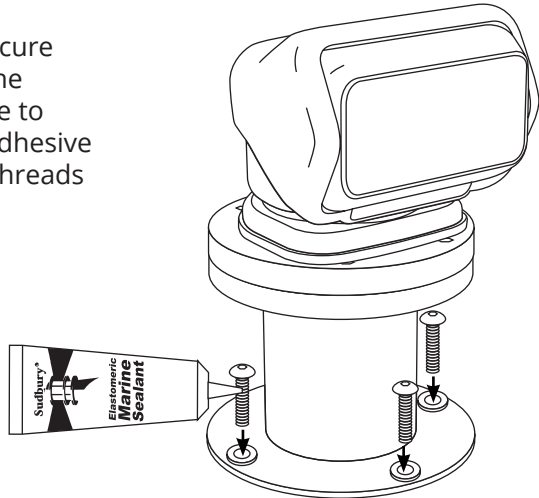
14 Route the cables through the cable hole on the surface and mount the assembly, be sure that all four mounting holes line up.



15 Apply marine adhesive sealant to the four nylon washers (38SB) and insert them into the base as shown.



16 Use your own hardware to secure the mount to the surface. Be sure to apply marine adhesive sealant to the threads of the bolts.



The background of the entire page is a light gray topographic map with white contour lines. The lines are irregular and wavy, representing terrain elevation. The map covers the entire page, with the text elements overlaid on it.

SEAVIEW///
ELEVATE YOUR ELECTRONICS

SEAVIEW///

Tel: 800-655-7922
www.seaviewglobal.com

EUROPEAN OFFICE

Tel: +33 4 94 53 27 70
www.seaviewprogress.com

1-091318