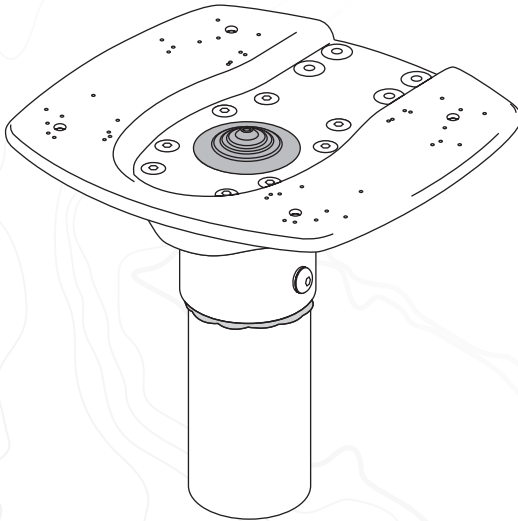


SEAVIEW

ELEVATE YOUR ELECTRONICS



INSTALLATION INSTRUCTIONS

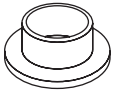
For Seaview Modular Pole Top:

MODTOPPTM1

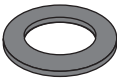
Refer to website for most up to
date instructions and videos.

WWW.SEAVIEWGLOBAL.COM

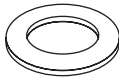
PARTS INCLUDED



x2



x2



x2



x2



x2

1/4 - 20 x 1"



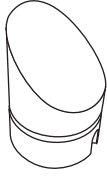
x1



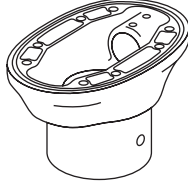
x1



x1



x1



x1

TOOLS NEEDED



7/16" = 11.1mm



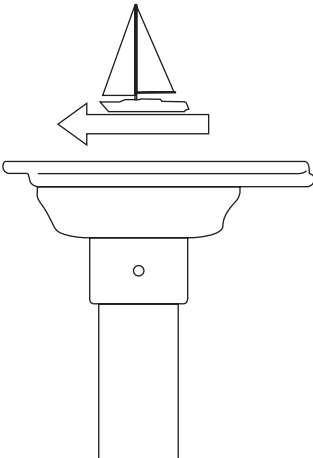
3/8" = 9.52mm



7/16" = 11.1mm



Sudbury Elastomeric Marine Sealant is recommended. To purchase call 800-655-7922 or visit www.seaviewglobal.com

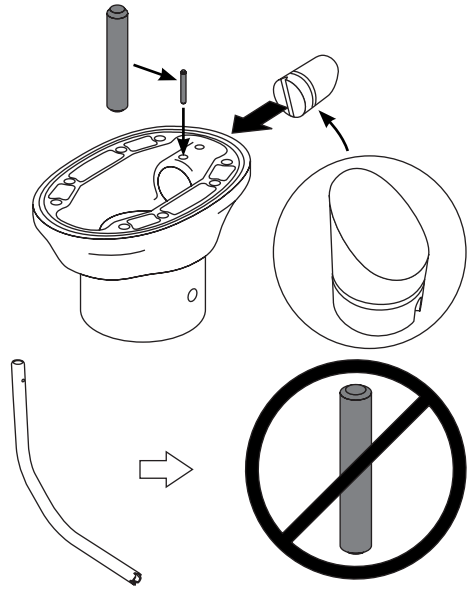


Before beginning please make sure that the Seaview Top Plate will face forward.

1

If you are not using a light bar then insert the plastic plug into the back of the modular top. Make sure that the plug snaps in place from the light bar pin.

If you are using a light bar, do not use the black light bar pin.

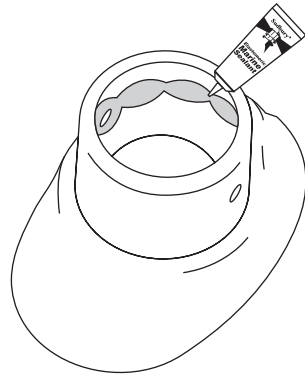


2

Apply marine adhesive sealant to the inside of the modular top where the pole will slide into. Be sure to get around the bolt holes.

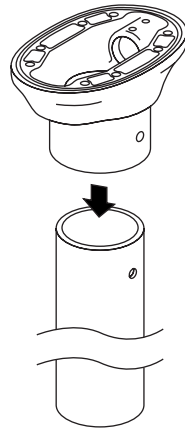
TIP:

Dry fit the modular pole top over the pole. Some will feel a bit loose (approx 1/16" of space). This occasionally happens with the combination of tolerances between the pole and the pole top. You can use a clear silicone and spread a thin layer around the inside of the pole top and let it dry. This should help fill in the gap and tighten better.



3

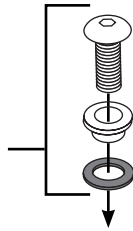
Slide the modular top assembly onto the top of the pole making sure that the bolt holes line up.



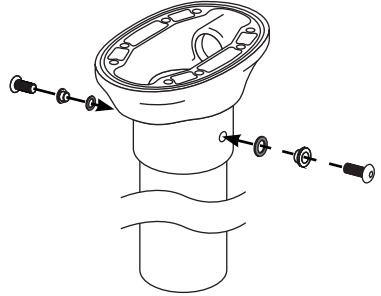
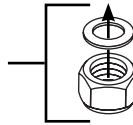
4

Secure the modular top by threading the two 1/4-20 x 1" bolts into the plastic shoulder washers into the nut.

Outside pole top.



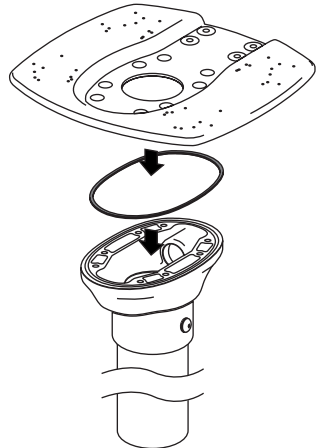
Inside pole top.



5

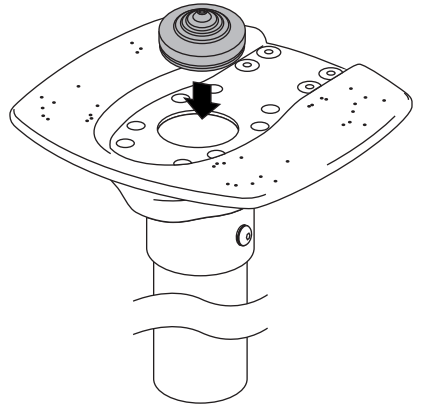
Place the rubber gasket into the groove on the top of the modular top and then place the Seaview Top Plate on top.

Make sure that the eight bolt holes line up with the eight bolt holes on the modular top.



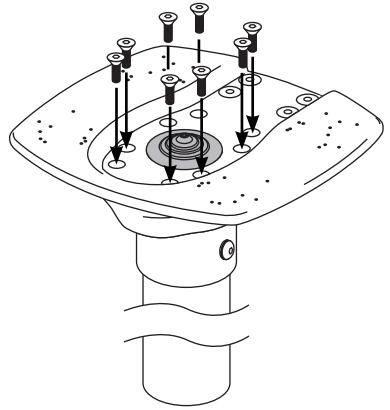
6

Insert the rubber cable grommet into the top of the Seaview Top Plate.



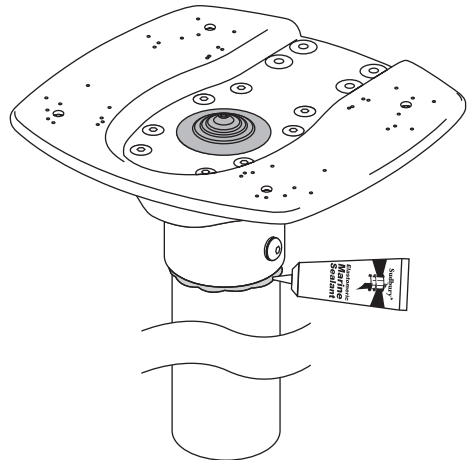
7

Secure the Seaview Top Plate to the modular top using the eight bolts included in your Seaview Top Plate kit.



8

Apply marine adhesive sealant around the base of the modular top.



THIS PAGE IS INTENTIONALLY
LEFT PLANK.

THIS PAGE IS INTENTIONALLY
LEFT BLANK.

The background of the entire page is a light gray topographic map with white contour lines. The lines are irregular and wavy, creating a sense of depth and terrain. The map covers the entire area, with the text elements overlaid on it.

SEAVIEW///
ELEVATE YOUR ELECTRONICS

SEAVIEW///

Tel: 800-655-7922
www.seaviewglobal.com

EUROPEAN OFFICE

Tel: +33 4 94 53 27 70
www.seaviewprogress.com