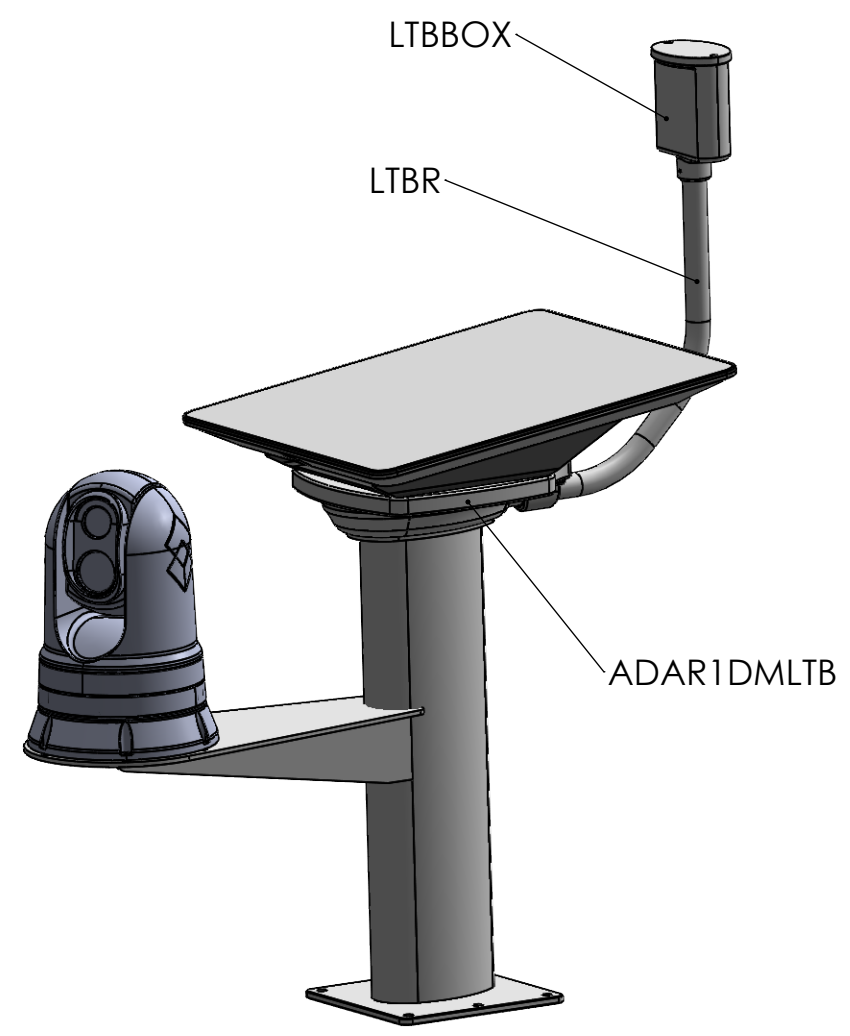
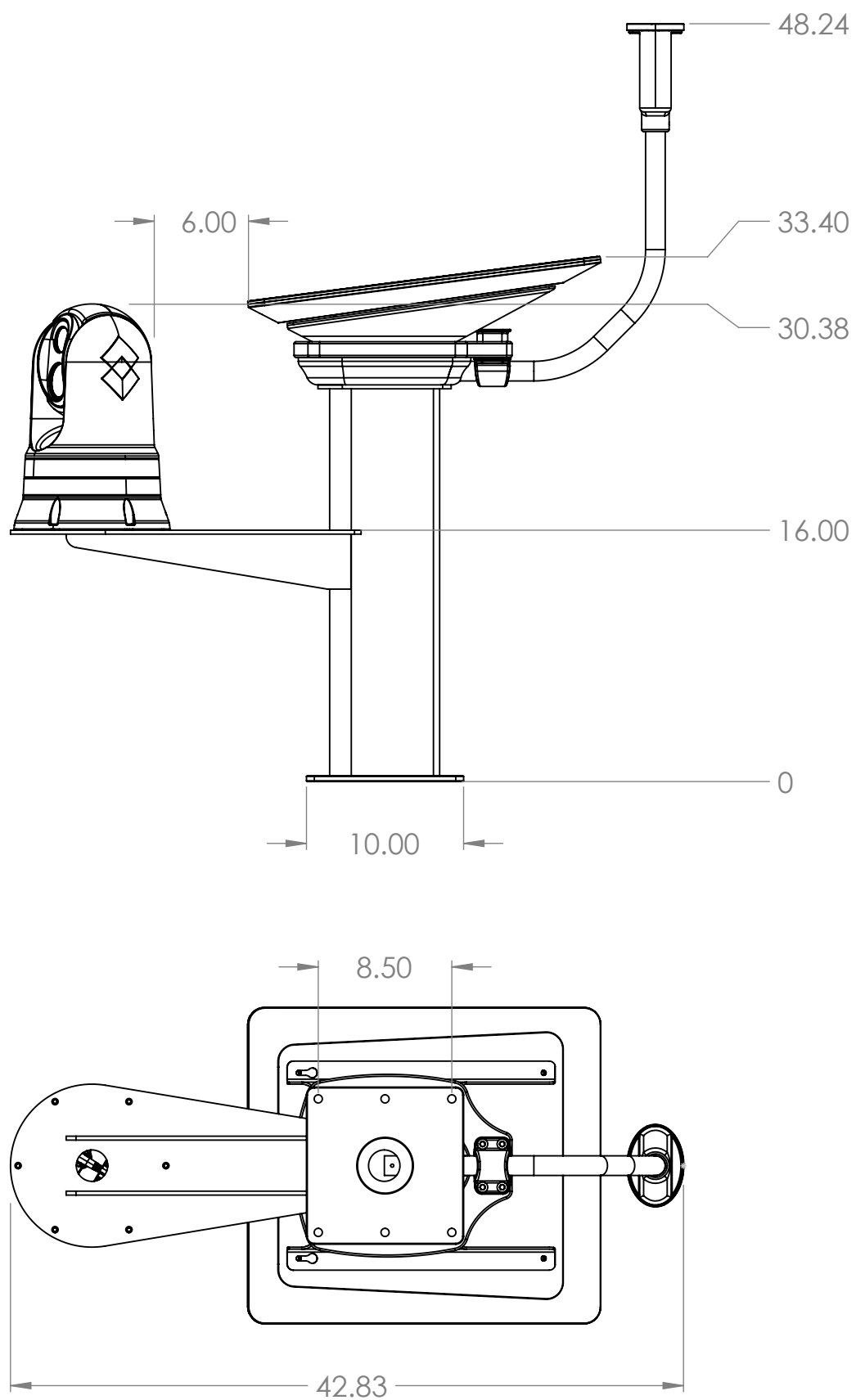


8 7 6 5 4 3 2 1

D  
C  
B  
A



D  
C  
B  
A

**PROPRIETARY AND CONFIDENTIAL**  
THE INFORMATION CONTAINED IN THIS DRAWING IS THE SOLE PROPERTY OF SEAVIEW. ANY REPRODUCTION IN PART OR AS A WHOLE WITHOUT THE WRITTEN PERMISSION OF SEAVIEW IS PROHIBITED.

		UNLESS OTHERWISE SPECIFIED:	NAME	DATE	<b>SEAVIEW</b>	
		DIMENSIONS ARE IN INCHES	DRAWN			TITLE:
		TOLERANCES:	CHECKED			
		FRACTIONAL ±	ENG APPR.			
		ANGULAR: MACH ± BEND ±	MFG APPR.			
		TWO PLACE DECIMAL ±.01	Q.A.		SIZE	
		THREE PLACE DECIMAL ±.003	COMMENTS:		DWG. NO.	
		INTERPRET GEOMETRIC TOLERANCING PER:			REV	
		MATERIAL				
NEXT ASSY	USED ON	FINISH				
APPLICATION		DO NOT SCALE DRAWING			SCALE: 1:10 WEIGHT:	
					SHEET 1 OF 1	

8 7 6 5 4 3 2 1